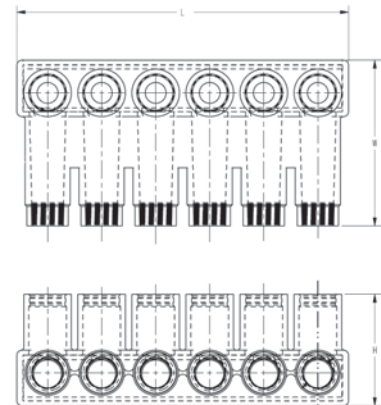


**Direct Burial UNITAP™  
Connectors**

**UNITAP™**

**Dual Rated Multiple Tap Connector**

These rubber insulated, dual rated connectors are for use in networks up to 600V. Suitable in light fixture pole bases in commercial, industrial, or residential markets. Distribution within strip malls, for use in any multi-tenant facility. No taping or heat shrink required.



**Features & Benefits**

- Dual rated for aluminum or copper conductors
- Each unit is individually marked for ease of identification
- Supplied with aluminum set-screws
- Covering is the highest quality EPDM rubber
- Supplied with oxide inhibitor pre-installed
- Submersible rated
- Suitable for direct burial
- Meets ANSI C119.1 and C119.4 requirements
- Rated 600V and 90° C; UL Listed and CSA Certified
- For use in wet or damp locations
- Silicone provided for conductor insertion



Catalog Number	# of Ports	Wire Range (AWG/kcmil)	L	W	H	Wire Strip Length (in)
<a href="#">BIBS3502DB</a>	2	12 AWG-350 kcmil	2.61	4.06	2.46	1.125
<a href="#">BIBS3503DB</a>	3	12 AWG-350 kcmil	3.82	4.06	2.46	1.125
<a href="#">BIBS3504DB</a>	4	12 AWG-350 kcmil	5.03	4.06	2.46	1.125
<a href="#">BIBS3505DB</a>	5	12 AWG-350 kcmil	6.24	4.06	2.46	1.125
<a href="#">BIBS3506DB</a>	6	12 AWG-350 kcmil	7.45	4.06	2.46	1.125
<a href="#">BIBS5003DB</a>	3	10 AWG-500 kcmil	4.31	4.58	3.13	1.50
<a href="#">BIBS5004DB</a>	4	10 AWG-500 kcmil	5.69	4.58	3.13	1.50
<a href="#">BIBS5005DB</a>	5	10 AWG-500 kcmil	7.06	4.58	3.13	1.50
<a href="#">BIBS5006DB</a>	6	10 AWG-500 kcmil	8.44	4.58	3.13	1.50

Recommended Torque Values for Direct Burial UNITAP™		Recommended BURNDY® Torque Wrench
Conductor Size	Recommended Torque Range	
#12 - #6 AWG	125 - 150 in-lbs	<a href="#">BTW30150</a>
#4 - 3/0 AWG	180 - 240 in-lbs	<a href="#">BTW150750</a>
4/0 - 350 AWG	275 - 450 in-lbs	<a href="#">BTW150750</a>
400 - 1000 AWG	475 - 550 in-lbs	<a href="#">BTW150750</a>

