

General Purpose Plug-In Relays—D2 Series



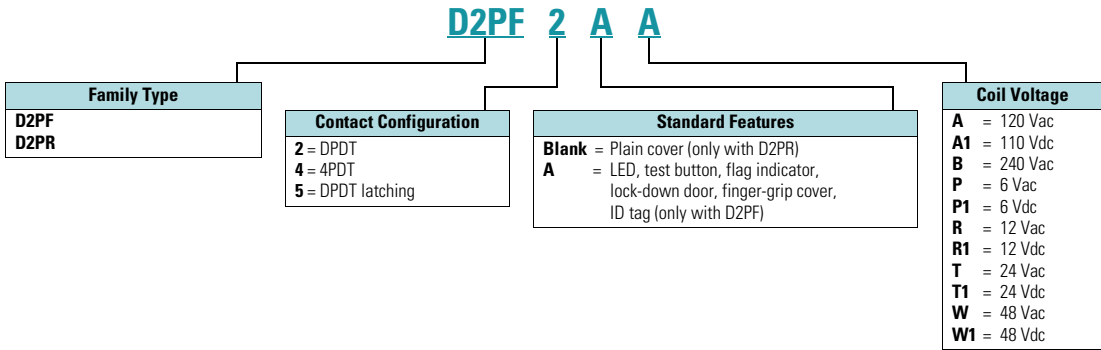
Features

- Ultra-high sensitivity relay with quick response
- Designed small, two-pole type break 5A load and four-pole type, 3A load
- High reliability, long life
- Panel, DIN rail and flange mounting
- Small size

Catalog Number Selection

General Purpose Plug-In Relays

D2 Series ①



Product Selection

D2PF/D2PR Relay/Socket Quick Reference

Relay Type	Socket	Clip
D2PR2	D2PAL	PWC-D24
D2PF2		PQC-1782
	D2PA6	PQC-1342
D2PR4	D2PAP	PWC-D24
D2PF4		PQC-1782
	D2PA7	PWC-D24
		PQC-1782
	D2PA6	PQC-1342
D2PR5	D2PA4	PYC-A1

Note

① For deciphering catalog numbers.
Do not use for ordering as not all combinations are readily available.

General Purpose Plug-In Relays—D2PR/D2PF

Coil Voltage	Contact Configuration	Coil Resistance (Ohms)	Catalog Number
Full Featured Style			
6 Vac	DPDT	9.6	D2PF2AP
6 Vdc	DPDT	40	D2PF2AP1
12 Vac	DPDT	46	D2PF2AR
12 Vdc	DPDT	160	D2PF2AR1
24 Vac	DPDT	180	D2PF2AT
24 Vdc	DPDT	650	D2PF2AT1
48 Vdc	DPDT	2,600	D2PF2AW1
110/125 Vdc	DPDT	11,000	D2PF2AA1
120 Vac	DPDT	4,430	D2PF2AA
220/240 Vac	DPDT	15,720	D2PF2AB
12 Vac	4PDT	46	D2PF4AR
12 Vdc	4PDT	160	D2PF4AR1
24 Vac	4PDT	180	D2PF4AT
24 Vdc	4PDT	650	D2PF4AT1
48 Vdc	4PDT	2,600	D2PF4AW1
110/125 Vdc	4PDT	11,000	D2PF4AA1
120 Vac	4PDT	4,430	D2PF4AA
220/240 Vac	4PDT	15,720	D2PF4AB

Coil Voltage	Contact Configuration	Coil Resistance (Ohms)	Catalog Number
Plain Cover Style			
6 Vdc	DPDT	40	D2PR2P1
12 Vdc	DPDT	160	D2PR2R1
24 Vac	DPDT	180	D2PR2T
24 Vdc	DPDT	650	D2PR2T1
48 Vdc	DPDT	2,600	D2PR2W1
110/125 Vdc	DPDT	11,000	D2PR2A1
120 Vac	DPDT	4,430	D2PR2A
220/240 Vac	DPDT	15,720	D2PR2B
6 Vac	4PDT	9.6	D2PR4P
6 Vdc	4PDT	40	D2PR4P1
12 Vac	4PDT	46	D2PR4R
12 Vdc	4PDT	160	D2PR4R1
24 Vac	4PDT	180	D2PR4T
24 Vdc	4PDT	650	D2PR4T1
110/125 Vdc	4PDT	11,000	D2PR4A1
120 Vac	4PDT	4,430	D2PR4A
220/240 Vac	4PDT	15,720	D2PR4B

Accessories

D2PF/D2PR Sockets and Accessories

Type	Standard Pack	Catalog Number
Socket	1	D2PAL ①
Socket	10	D2PA6
Socket	1	D2PAP ①
Socket	10	D2PA7 ①
Socket	5	D2PA4
Flange mount adapter	25	PFC-D2D72
Plastic ejector clip	10	PWC-D24
Metal spring clip	25	PQC-1782
Metal spring clip	25	PQC-1342
Hold-down spring	100	PYC-A1

Note

① Protection category (finger safe), EN 60529 IP20.