

#### D4 Series Relay



3

### D4 Series


#### Product Description


The D4 Series is a slim-form relay designed to fit into tight spaces. The retaining clip is built in to the socket to provide easy and secure assembly.

#### Features

- Slim-styled power relay
- Socket has built-in hold-down clip
- Panel or DIN rail mounting

#### Standards and Certifications

 File # E1491, E65657

 File # LR701519



 COMPLIANT

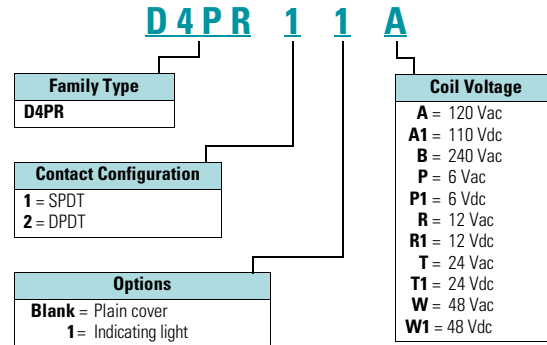
### Contents

#### Description

	<i>Page</i>
D1RR/D1RF Series.....	<b>V7-T3-53</b>
D2RR/D2RF Series.....	<b>V7-T3-57</b>
D3RR/D3RF Series.....	<b>V7-T3-67</b>
D4 Series	
Technical Data and Specifications.....	<b>V7-T3-78</b>
Dimensions.....	<b>V7-T3-79</b>
D5RR/D5RF Series.....	<b>V7-T3-80</b>
D7PR/D7PF Series.....	<b>V7-T3-89</b>
D8 Series.....	<b>V7-T3-103</b>
D9 Series.....	<b>V7-T3-108</b>
Accessories.....	<b>V7-T3-112</b>

#### Catalog Number Selection

##### D4 Series <sup>①</sup>



#### Product Selection

##### D4 Relay/Socket Quick Reference

Relay Type	Socket	Hold-Down Clip
D4PR1	D4PA1	②
D4PR2	D4PA2	②

#### Notes

- ① For deciphering catalog numbers. Do not use for ordering as not all combinations are readily available.
- ② Socket has built-in hold-down spring.

## D4 Series Relay



## D4 Series

Voltage/Poles	Standard Pack	Catalog Number
<b>DIN Rail Sockets</b>		
Single-pole	10	<b>D4PA1</b>
Two-pole	10	<b>D4PA2</b>
<b>SPDT with Indicating Light</b>		
120 Vac	1	<b>D4PR11A</b>
110 Vdc	1	<b>D4PR11A1</b>
240 Vac	1	<b>D4PR11B</b>
6 Vac	50	<b>D4PR11P</b>
6 Vdc	50	<b>D4PR11P1</b>
12 Vac	50	<b>D4PR11R</b>
12 Vdc	1	<b>D4PR11R1</b>
24 Vac	1	<b>D4PR11T</b>
24 Vdc	1	<b>D4PR11T1</b>
48 Vdc	50	<b>D4PR11W1</b>
<b>Standard SPDT</b>		
120 Vac	1	<b>D4PR1A</b>
110 Vdc	50	<b>D4PR1A1</b>
240 Vac	50	<b>D4PR1P</b>
6 Vac	1	<b>D4PR1P1</b>
6 Vdc	50	<b>D4PR1R</b>
12 Vac	1	<b>D4PR1R1</b>
12 Vdc	1	<b>D4PR1R1-A2</b>
24 Vac	1	<b>D4PR1T</b>
24 Vdc	1	<b>D4PR1T1</b>
48 Vdc	1	<b>D4PR1W1</b>

Voltage/Poles	Standard Pack	Catalog Number
<b>DPDT with Indicating Light</b>		
120 Vac	1	<b>D4PR21A</b>
110 Vdc	1	<b>D4PR21A1</b>
240 Vac	1	<b>D4PR21B</b>
6 Vac	50	<b>D4PR21P</b>
6 Vdc	1	<b>D4PR21P1</b>
12 Vac	50	<b>D4PR21R</b>
12 Vdc	1	<b>D4PR21R1</b>
24 Vac	1	<b>D4PR21T</b>
24 Vdc	1	<b>D4PR21T1</b>
48 Vdc	50	<b>D4PR21W1</b>
<b>Standard DPDT</b>		
120 Vac	1	<b>D4PR2A</b>
110 Vdc	50	<b>D4PR2A1</b>
240 Vac	50	<b>D4PR2B</b>
6 Vac	50	<b>D4PR2P</b>
6 Vdc	1	<b>D4PR2P1</b>
12 Vac	50	<b>D4PR2R</b>
12 Vdc	1	<b>D4PR2R1</b>
24 Vac	1	<b>D4PR2T</b>
24 Vdc	1	<b>D4PR2T1</b>
48 Vdc	1	<b>D4PR2W1</b>

# 3.4

## Control Relays and Timers

### General Purpose Plug-In Relays

#### Technical Data and Specifications

##### D4 Series

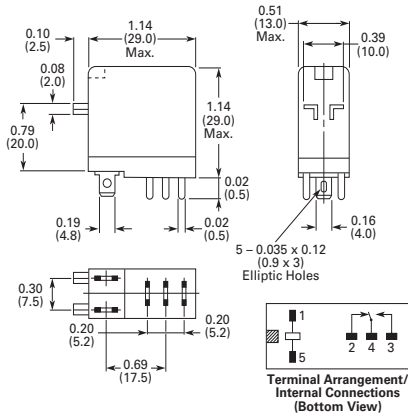
3

Description	Resistive Load (p.f. = 1)	Inductive Load (p.f. = 0.4, L/R = 7 ms)
<b>D4PR1</b>		
Rated load	250 Vac 10 A	250 Vac 7.5 A
	30 Vdc 10 A	30 Vdc 5 A
Carry current	10 A	10 A
Max. operating voltage	380 Vac/125 Vdc	380 Vac/125 Vdc
Max. operating current	10 A	10 A
Contact material	AgCdO	AgCdO
Max. switching capacity	2500 VA	1875 VA
	300 W	150 W
Min. permissible load	100 mA, 5 Vdc	100 mA, 5 Vdc
Pickup voltage (max.)	80% AC/70% DC	80% AC/70% DC
Dropout voltage (min.)	30% AC/15% DC	30% AC/15% DC
Voltage (max.)	110%	110%
Mechanical life (min.)	10,000,000 AC/20,000,000 DC	10,000,000 AC/20,000,000 DC
Electrical life at all contact ratings (min.)	100,000	100,000
Maximum hp ratings	1/3 hp (125 Vac)	1/3 hp (125 Vac)
	1/2 hp (250 Vac)	1/2 hp (250 Vac)
	1/2 hp (277 Vac)	1/2 hp (277 Vac)
<b>D4PR2</b>		
Rated load	240 Vac 5 A	250 Vac 2 A
	30 Vdc 5 A	30 Vdc 3 A
Carry current	5 A	5 A
Max. operating voltage	380 Vac/125 Vdc	380 Vac/125 Vdc
Max. operating current	5 A	5 A
Contact material	AgCdO	AgCdO
Max. switching capacity	1250 VA	500 VA
	150 W	90 W
Min. permissible load	10 mA, 5 Vdc	10 mA, 5 Vdc
Pickup voltage (max.)	80% AC/70% DC	80% AC/70% DC
Dropout voltage (min.)	30% AC/15% DC	30% AC/15% DC
Voltage (max.)	110%	110%
Mechanical life (min.)	10,000,000 AC/20,000,000 DC	10,000,000 AC/20,000,000 DC
Electrical life at all contact ratings (min.)	100,000	100,000
Maximum hp ratings	1/6 hp (120 Vac)	1/6 hp (120 Vac)
	1/3 hp (240 Vac)	1/3 hp (240 Vac)
	1/3 hp (265 Vac)	1/3 hp (265 Vac)

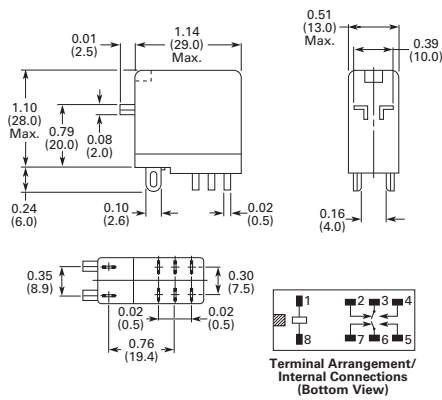
### Dimensions

Approximate Dimensions in Inches (mm)

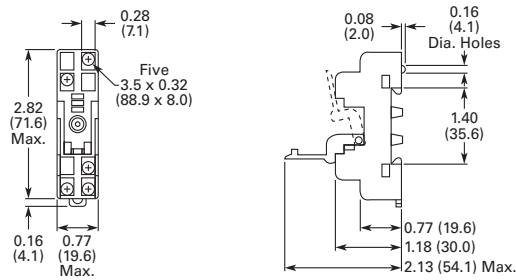
#### D4PR1



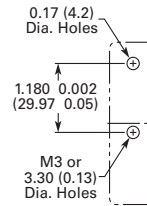
#### D4PR2



#### D4PA1

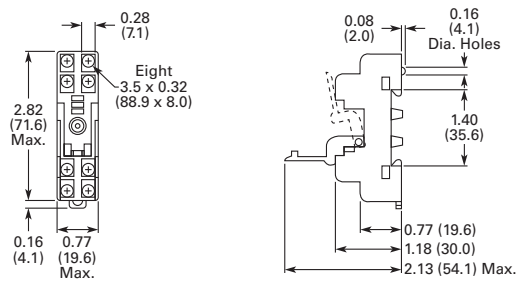


Terminal Arrangement

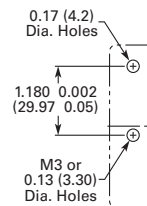


Mounting Holes

#### D4PA2



Terminal Arrangement



Mounting Holes