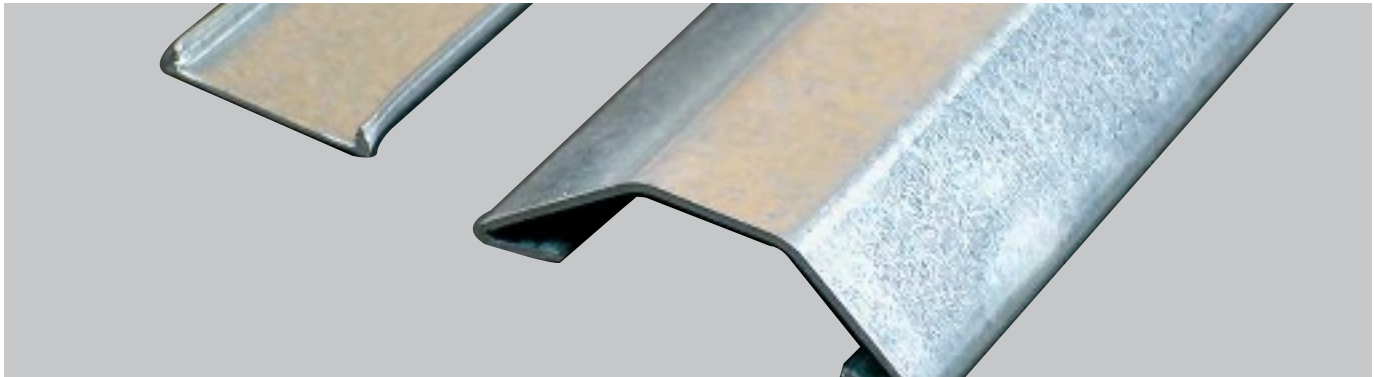


1500 SERIES™ OVERFLOOR RACEWAY



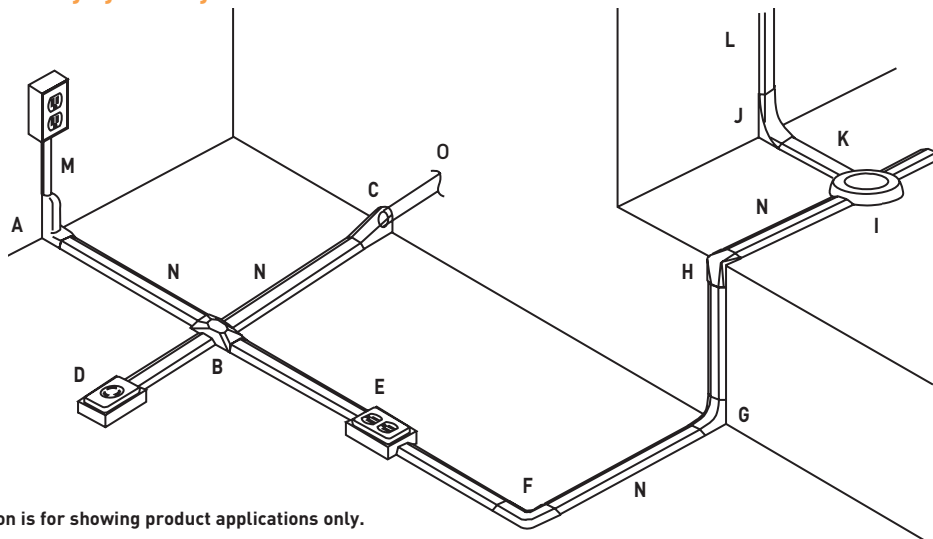
Wiremold® 1500 Series™ Steel Pancake Raceway provides permanent protection for overfloor cabling in high traffic areas.

CODE REFERENCE

cULus Listed Underfloor Raceways:
File E4376 Guide RJBT.

Fittings: File E41751 Guide RJPR.
Meets Article 386 of NEC.
Meets Section 12-1600 of CEC.

1500 Series Raceway System Layout



NOTE: Illustration is for showing product applications only.

KEY

- A. V1517B Adapter Fitting
- B. 1528 Utility Box
- C. 1585 Combination Connector
- D. 1546A Single Receptacle Box
- E. 1546B Duplex Receptacle Box
- F. 1511 90° Flat Elbow

- G. 1517 Internal Elbow
- H. 1518 External Elbow
- I. 2642D Junction Box
- J. 2686FO Transition Feed Fitting
- K. 2600 Series Pancake Overfloor Steel Raceway

- L. 2400 Series Raceway
- M. V500 500/700 Series Raceway
- N. 1500 Raceway Base & Cover
- O. 1/2" Conduit or Armored Cable

COLOR OPTIONS



1500 Series™ Raceway components are available in galvanized steel unless otherwise indicated in the part number description.

1500 SERIES™ OVERFLOOR RACEWAY

Ordering Information

1500 Series Raceway Wire Fill Capacities for Communications

	CABLE/WIRE SIZE	O.D. (Approx. dia.)		40% FILL
		Inches	[mm]	
UNSHIELDED TWISTED PAIR	4-pair, 24 AWG, Cat 3	0.190	[4.8]	3
	4-pair, 24 AWG, Cat 5e	0.210	[5.3]	2
	4-pair, 24 AWG, Cat 6	0.250	[6.3]	1
	4-pair, 24 AWG, Cat 6a*	0.354	[9.0]	0
	25-pair, 24 AWG	0.410	[10.4]	0
COAXIAL	RG6/U	0.270	[6.9]	1
FIBER	ZipCord	0.118 x 0.236	[3 x 6]	3
	Round 4 Strand Fiber	0.187	[4.8]	3
	Round 6 Strand Fiber	0.256	[6.5]	1

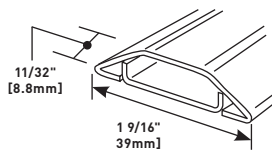
1500 Series Raceway Wire Fill Capacities for Power

WIRE SIZE THHN/THWN	O.D. (Approx. dia.)		NO. OF CONDUCTORS 40% FILL
	Inches	[mm]	
14 AWG	0.111	[2.8]	9
12 AWG	0.130	[3.3]	6
10 AWG	0.164	[4.2]	4

NOTE: For additional information, refer to the Technical Section.

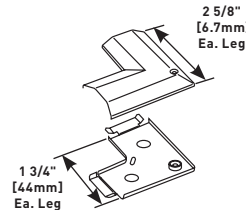
* Category 6 augmented (6a) cable for 10 gigabit ethernet – max allowed cable diameter per addenda No. 11 ANSI TIA/EIA 568-B.2.

1500-10 Raceway Base & Cover



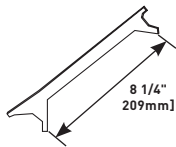
.040" [1.0mm] galvanized steel. Packed ten 10' [3m] lengths per carton. Base has 9/32" [7.1mm] diameter mounting holes on centers of approximately 8" [203mm].

1511 90° Flat Elbow



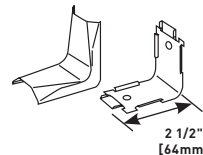
For right angle turns on the same surface.

656 Cover Removal Tool



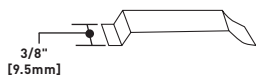
For removing cover of 1500 and 2600 Series Overfloor Raceways.

1517 Internal Elbow



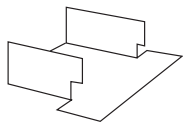
For internal 90° corners.

1500WC Wire Clip



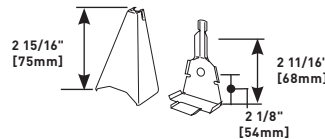
For holding conductors in place. Not UL Listed.

1502 Fiber Bushing



Protects wires from abrasion. Slips into open end of 1500 Series Raceway where it enters a fitting.

V1517B Adapter Fitting



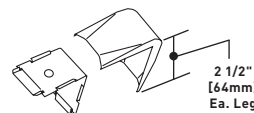
To feed to or from 500 or 700 Series Raceway on wall to 1500 Series Raceway on floor. Ivory finish.

1504 Strap



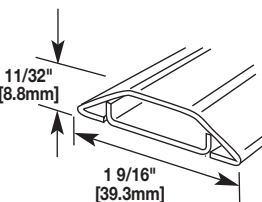
Two-hole strap. Use to fasten 1500 Series Raceway to surfaces at any point desired.

1518 External Elbow

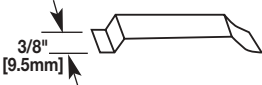
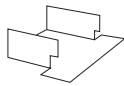
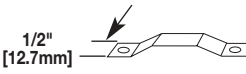
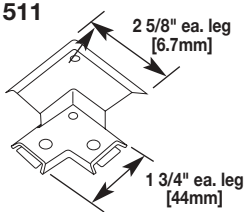
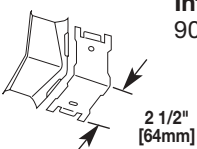
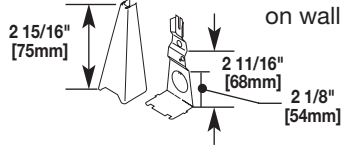
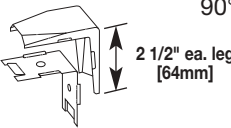


For external 90° corners.

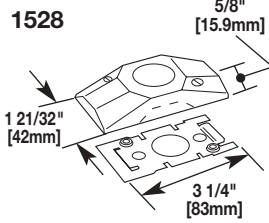
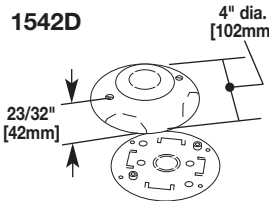
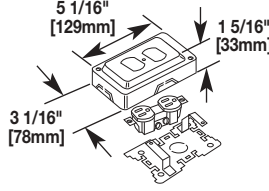
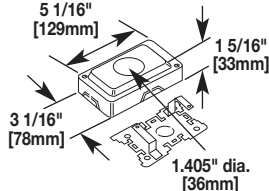
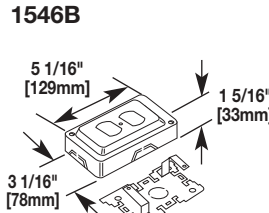
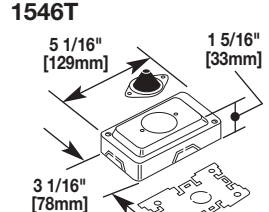
1500 Base and Cover

Catalog No./Item	Description/Specifications
1500	<p>Base and Cover – .040" [1mm] galvanized steel. Packed ten 10 ft. lengths per carton. Base has 9/32" [7.1mm] mounting holes on 8" [203mm] centers. Also available in 5 ft. [1.525m] length, packed ten 5 ft. [1.525m] lengths per carton. Specify 1500-5 for 5 ft. [1.525m] and 1500-10 for 10 ft. [3.050m] sections.</p> 

1500 Overfloor Raceway Fittings

Catalog No./Item	Description/Specifications
1500WC	<p>Wire Clip – For holding conductors in place. Not UL Listed.</p> 
1502	<p>Fiber Bushing – Protects wires from abrasion. Slips into open end of 1500 where it enters a fitting.</p> 
1504	<p>Strap – Two-hole strap. Use to fasten 1500 to surfaces at any point desired.</p> 
1511	<p>90° Flat Elbow – For right angle turns on the same surface.</p> 
1517	<p>Internal Elbow – For internal 90° corners.</p> 
V1517B	<p>Adapter Fitting – To feed to or from V200, V500, or V700 raceway on wall to 1500 on floor.</p> 
1518	<p>External Elbow – For external 90° corners.</p> 

1500 Overfloor Raceway Fittings

Catalog No./Item	Description/Specifications
1528	<p>Utility Box – Base and cover each have 1/2" [12.7mm] trade size KO. May be used as a cross, tee, straight through, or to terminate run. Two 1500WC wire clips included.</p> 
1542D	<p>Junction Box – May be used as a cross, tee, or elbow. Cover has 1/2" [12.7mm] and 3/4" [19mm] trade size concentric KOs. Two 1500WC wire clips included.</p> 
1543GL	<p>Grounding Duplex – Cover has 1500 and 2600 twistouts on all four sides. Base has 1/2" [12.7mm], 3/4" [19.1mm] trade size concentric KOs. Two 1500WC Wire Clips included. Gray finish.</p> 
1546A	<p>Single Receptacle Box – Accommodates commercially available straight blade and locking single receptacles with face diameters of 1.38-1.40" [34.5-35mm]. Base has 1/2" [12.7mm] and 3/4" [19mm] trade size concentric KOs. Cover has 1500 and 2600 twistouts on all four sides. Two 1500WC wire clips included.</p> 
1546B	<p>Duplex Receptacle Box – Accommodates commercially available 15A or 20A duplex receptacles. Base has 1/2" [12.7mm] and 3/4" [19mm] concentric trade size KOs. Cover has 1500 and 2600 twistouts on all four sides. Two 1500WC wire clips included. Side wiring recommended.</p> 
1546T	<p>Telephone Outlet Box – Furnished with 1/2" [12.7mm] rubber stem. Accepts modular connecting blocks within the fitting. Cover has 1500 and 2600 twistouts on both ends and both sides. Two 1500WC wire clips included. Not UL Listed.</p> 
1585	<p>Combination Connector – For connecting 1/2" [12.7mm] trade size conduit or armored cable to Pancake 1500.</p> 