

Specialty Time Switches

Grässlin Electromechanical, 24-Hour or 7-Day

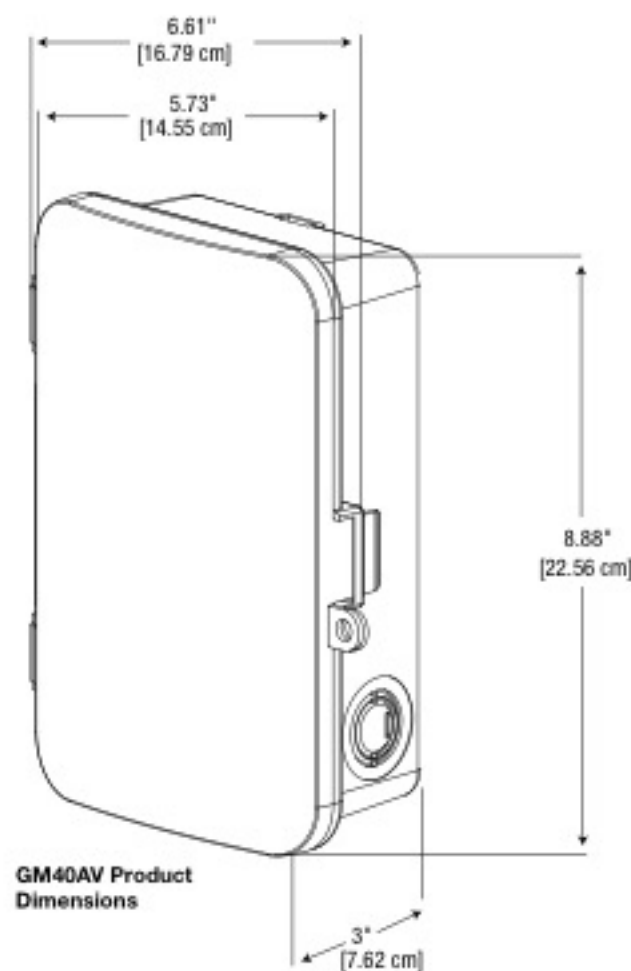


GM40AV



Captive Trippers can't be lost

Enclosure Dimensions



GM40AV Product Dimensions

GM40AV Series

40 A Autovoltage General Purpose Time Control

The GM40AV Time Control is a universal, electromechanical time switch designed for general purpose residential and commercial applications. The robust 40 A time control automatically detects the input voltage without the use of a DIP switch or selector pins. The time control automatically selects any voltage between 120 VAC and 277 VAC. The mechanism is mounted in a compact UL Type 3R outdoor enclosure and can also be easily retrofitted into other Intermatic enclosure types. The time control features a DPDT switching configuration standard (i.e. two normally open and two normally closed contacts).

Applications

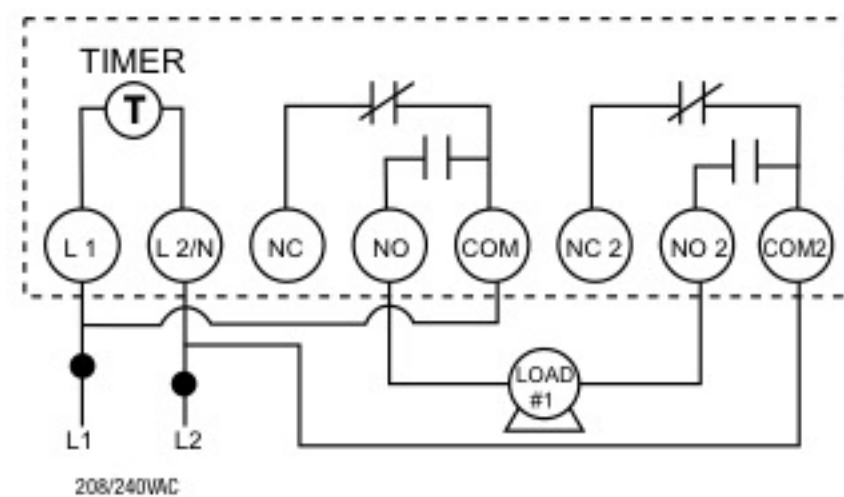
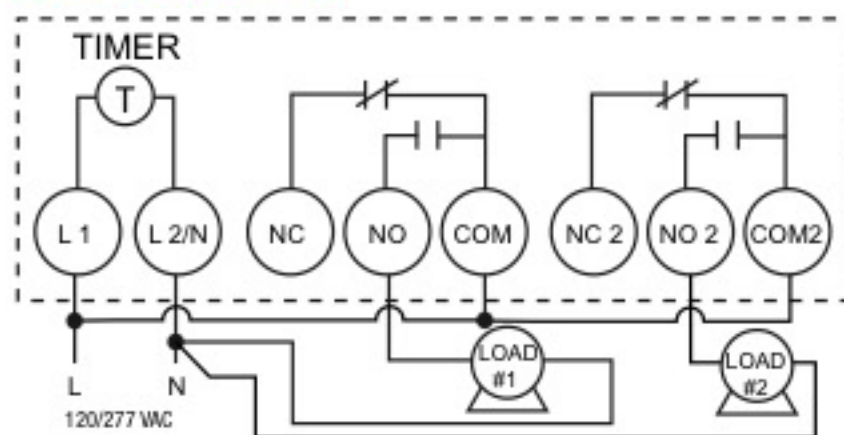
The GM40AV is a robust time switch capable of switching high amperage. Below are examples of the many applications where the GM40AV can be used:

- Lighting control • Access control • Commercial refrigeration
- General electrical circuits • Pumps • Motors • Fan control

Features

- Autovoltage selection 120 VAC - 277 VAC
- Captive trippers - trippers cannot be lost
- 40 A rating
- Self-recharging battery backup models; "Q" models feature 7-day carry-over
- Power and status LED indicators
- 24-Hour or 7-day models available
- Up to 48 ON/OFF operations per 24-hour period or 42 ON/OFF operations per week on "W" models
- DPDT switching configuration standard (2 NO and 2 NC Contacts)
- Manual three-way ON/OFF/AUTO override switch
- Easy-to-read clock face
- Type 3R outdoor enclosure

Wiring Diagram



Model #	Autovoltage	Switch Type	Enclosure	Battery Backup	Timing
GM40AV	120-277 VAC, 60 Hz	DPDT	Type 3R Outdoor	No	24-Hour, 15-Minute Intervals
GM40AV-Q*	120-277 VAC, 50/60 Hz	DPDT	Type 3R Outdoor	Yes	24-Hour, 15-Minute Intervals
GM40AV-M	120-277 VAC, 60 Hz	DPDT	Mechanism Only	No	24-Hour, 15-Minute Intervals
GM40AV-W	120-277 VAC, 60 Hz	DPDT	Type 3R Outdoor	No	7-Day, 2-Hour Intervals
GM40AV-QW*	120-277 VAC, 50/60 Hz	DPDT	Type 3R Outdoor	Yes	7-Day, 2-Hour Intervals

*Q models are Title 20 listed.

Ratings	
Supply Voltage	120-277 VAC, 60 Hz (Q Models 50/60 Hz)
Switch Type (2 NO/NC Contacts)	DPDT
Switch Ratings (NO Contacts)	
Resistive	40 A, 120-277 VAC
Ballast	30 A, 120 VAC; 20 A, 277 VAC
Tungsten	15 A, 120 VAC
Pilot Duty	300 VA, 120-240 VAC
Switch Ratings (NC Contacts)	
Resistive	30 A, 120-277 VAC
Ballast	10 A, 277 VAC
Tungsten	2 A, 120 VAC
Motor	
NO	1 HP, 16 FLA, 90 LRA @ 120 VAC; 2 HP, 12 FLA, 52 LRA @ 208-277 VAC
NC	1 HP, 12 FLA, 30 LRA @ 120 VAC; 2 HP, 10 FLA, 30 LRA @ 240 VAC
Operating Temperature	-40° F to 131° F (-40° C to 55° C)
Operating Humidity	0-95% RH, non-condensing
Wiring Terminals	Screw box lug
Electrical Life	50,000 operations at full load
Enclosure Dimensions H x W x D	8.88" x 6.61" x 3" (22.56 mm x 16.79 mm x 7.62 mm)
Shipping Weight	3 lbs.
Warranty	1-year limited

SPECIFIERS GUIDE

Furnish and install a Grässlin GM40AV _____ Auto-Voltage 24-Hour or 7-Day Time Control with captive trippers. Input voltage shall be 120-277 VAC which the unit detects and selects automatically. All units shall incorporate DPDT contacts that shall be rated at 40 A, 2 HP @ 208-277 VAC. To set the starting time and provide time indication, the unit shall have an authentic clock face with hour and minute hands and 15-minute or 2-hour (W models only) interval captive trippers. LED indicators shall provide power and status feedback. The enclosure shall be UL Type 3R suitable for both indoor or outdoor installation. The time switch shall contain a 3-way ON/OFF/AUTO manual override switch. For carry-over: "Q" Models shall have a quartz drive with self-recharging battery backup providing 7-day carry-over.

#E10694
 #E10694
 2002/95/EC
 patent #6,563,237

