

Fuse Systems

3NA, 3ND LV HRC Fuse Systems

LV HRC fuse bases and accessories

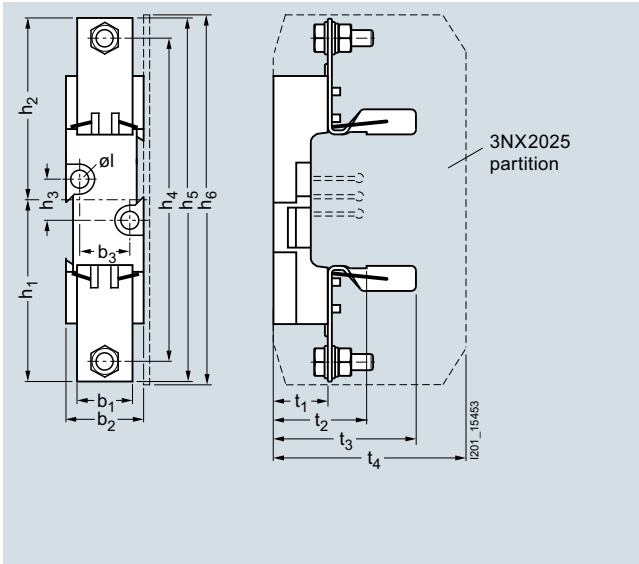
Technical specifications

Size	LV HRC fuse bases, LV HRC bus-mounting bases						
	000/00	0	1	2	3	4	
Standards	IEC 60269-1, -2; EN 60269-1; DIN VDE 0636-2, UL 4248-1 (only downstream from the branch protection)						
Approvals	KEMA, UL File No: E171267-IZLT2						
Rated current I_n	A	160	160	250	400	630	1250
Rated voltage U_n	V AC	690 ¹⁾	690 ¹⁾				690
	V DC	250	440				440
Rated short-circuit strength	kA AC	120					
	kA DC	25					
Max. power dissipation of fuse links	W	12	25	32	45	60	90
Flat terminal							
Screw		M8		M10		M12	
Nut		M8	--				
Max. tightening torque	Nm	14		38			65
Plug-in terminal							
Conductor cross-section	mm ²	2.5 ... 50		--			
Saddle-type terminal							
Conductor cross-section	mm ²	6 ... 70	--				
Box terminals							
Conductor cross-section	mm ²	2.5 ... 50					
Terminal strips							
Conductor cross-section, 3-wire	mm ²	1.5 ... 16	--				
Max. torque for attachment of LV HRC fuse base	Nm	2		2.5			--

¹⁾ Extended rated voltage up to 1000 V (except LV HRC bus-mounting bases).

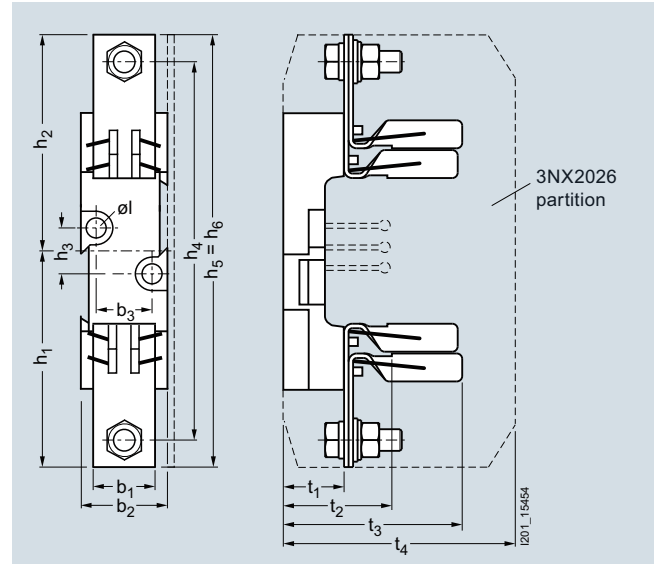
Size	LV HRC fuse bases with swivel mechanism				
	000/00	1	3	4a	
Rated voltage U_n	V AC	690			
	V DC	440			
Max. power dissipation of fuse links	W	12	32	48	110
Flat terminal					
Screw		M8	M10	M12	M16
Nut		M8	--		
Max. tightening torque	Nm	14	38		65

Size 2
1P



3NH33.0

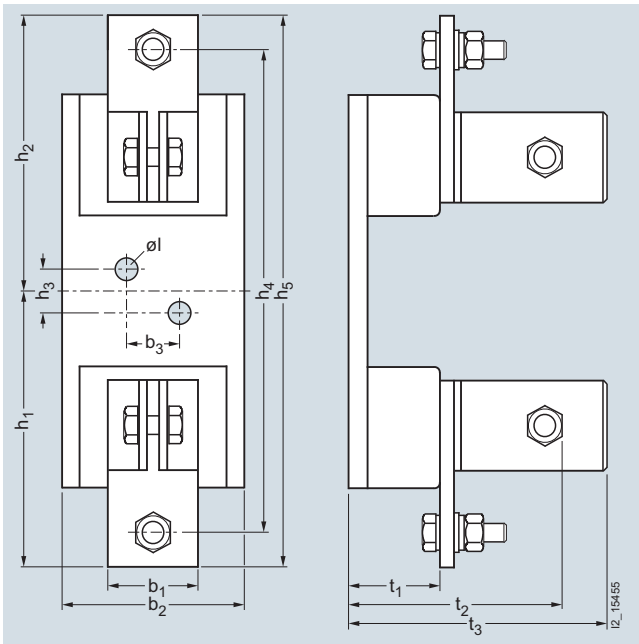
Size 3
1P



3NH34.0

Size	I_n A	Poles	Connections	Type	b_1	b_2	b_3	h_1	h_2	h_3	h_4	h_5	h_6	$\varnothing l$	t_1	t_2	t_3	t_4
2	400	1P	M10 flat terminal	3NH3330	35	49	30	113	113	25	202	227	228	10.5	35	55	90	115
			Double busbar terminal	3NH3320	35	49	30	113	113	25	202	227	228	10.5	35	55	90	115
3	630	1P	M12 flat terminal	3NH3430	35	49	30	121	121	25	212	242	242	10.5	35	57	101	130
			Double busbar terminal	3NH3420	35	49	30	121	121	25	212	242	242	10.5	35	57	101	130

Size 4, 1P



3NH3530

Size	I_n A	Poles	Connections	Type	b_1	b_2	b_3	h_1	h_2	h_3	h_4	h_5	$\varnothing l$	t_1	t_2	t_3
4 ¹⁾	1250	1P	M12 flat terminal	3NH3530	50	102	30	156	156	25	270	312	13	51	116	144
4a	Can only be used in bases with swivel mechanism															

¹⁾ Size 4 LV HRC fuse links are also screwed onto the base.