

Coax or Telephone Line Protective Devices

IG Series

The IG Series Telephone Line or Coax Cable Protective Devices are designed for indoor or outdoor installations. Listed to UL 497A for phone line and UL 497B for coax cable.

Applications

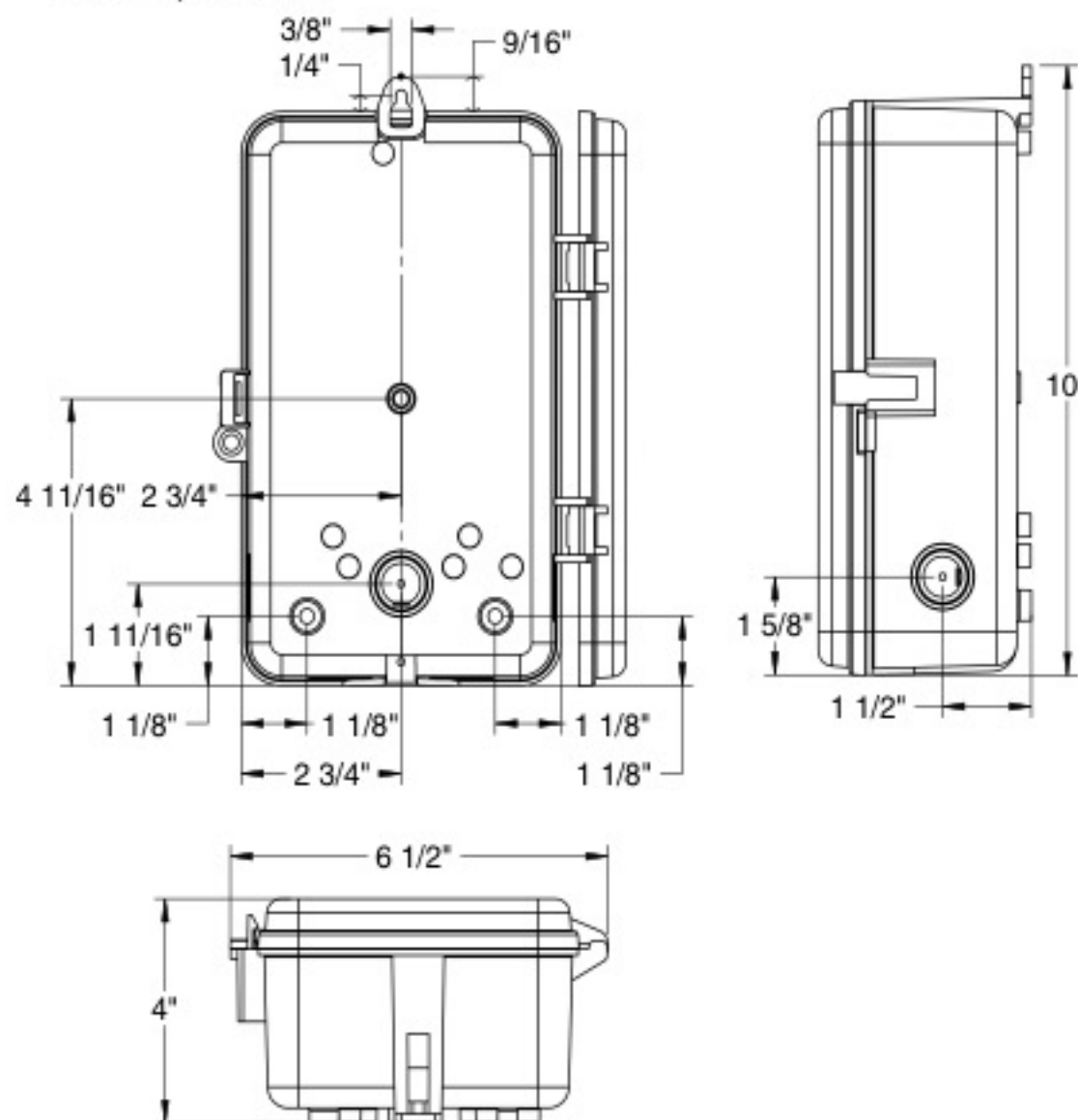
- Residential • Light Commercial

Features

- Modes of protection: Tip-to-ground, tip-to-ring, and ring-to-ground for telephone models
- Provides telephone (analog phone line, modem, or DSL) and coax line protection (cable TV, cable Internet, or satellite TV)
- #24 to #16 AWG for telephone models
- Type F Thread for coax models
- Gas tube protection
- UL 497A is for telephone protection
- UL 497B is for coax protection
- 5-year product warranty
- \$10,000 connected equipment warranty for 5 years on appliances and electronics

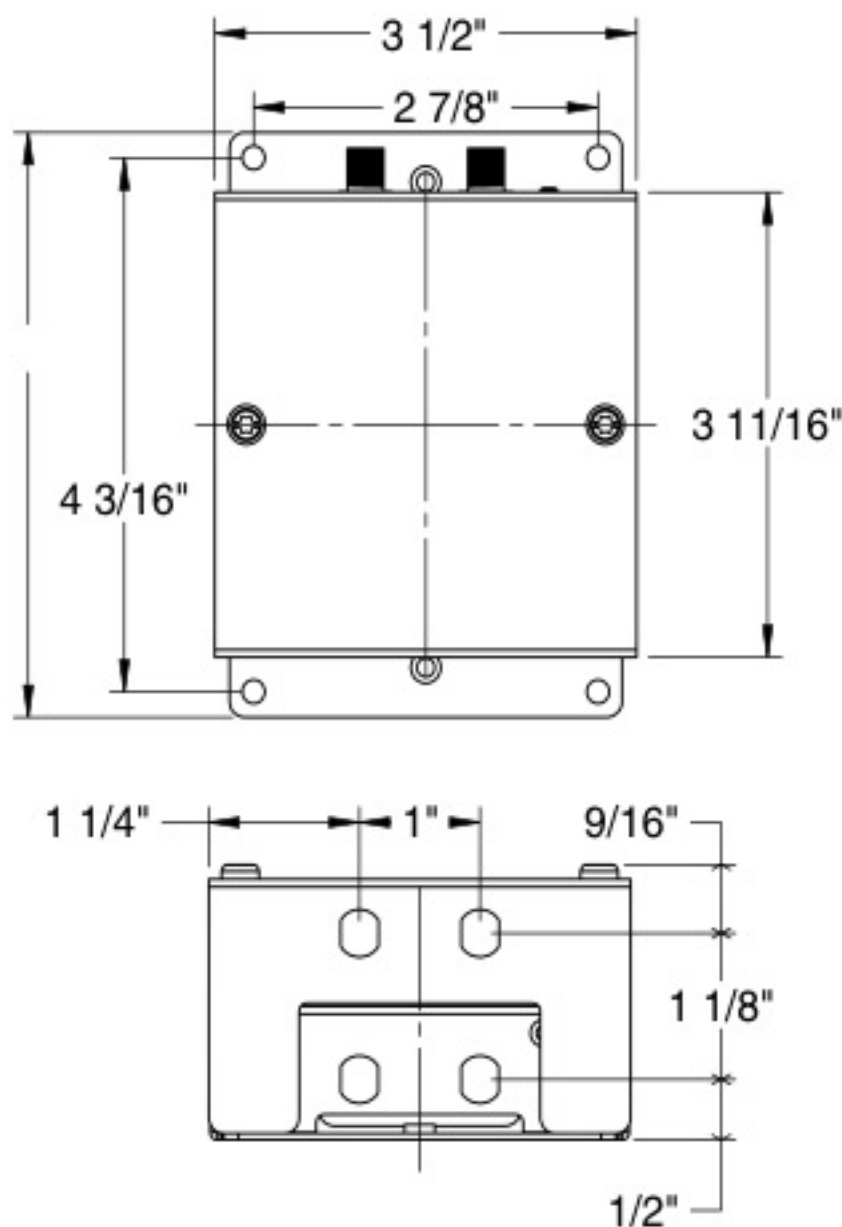
Dimensions

IG2T3R, IG1C3R



IG2TM

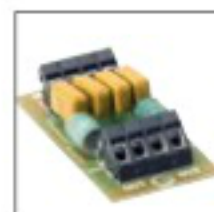
IG1CM, IG2TM, IG4TM



Model #	Enclosure	No. of Telephone Lines Protected	Wire Configuration	No. of Coax Lines Protected	Modes of Protection	Surge Technology
IG2TM	Type 1 Indoor, Metal	2	4	–	Tip-to-Ground, Tip-to-Ring, Ring-to-Ground	Gas Tube Protection 350 VDC Breakdown
IG4TM		4	8	–		
IG2T3R	Type 3R Rainproof, Plastic	2 (Expandable Up to 12)	4 (Up to 24 Wire)	–		
IG1CM	Type 1 Indoor, Metal	–	–	1 (Expandable Up to 2)	–	Gas Tube Protection
IG1C3R	Type 3R Rainproof, Plastic	–	–	1 (Expandable Up to 6)	–	90 VDC Breakdown

Accessories

2 Spare Telephone/Modem/DSL Internet Protection Modules for IG1CM, IG1CM3R	IG2T
1 Spare Coax Cable Protection Module for IG1CM, IG1CM3R	IG1C



IG2T



IG1C