

# FSQC 30, 60 and 100 Amp Series Receptacles and ACP Plugs

## Disconnect Switch. Explosionproof, Dust-Ignitionproof

600 Vac Max. 250 Vdc Max.

### NEC/CEC:

Class I, Division 1 and 2, Groups B, C, D

Class II, Division 1 and 2, Groups F, G

Class III

NEMA 3\*, 3R\*, 4\*, 4X\*, 7CD, 9FG

### Applications

- Locations where receptacles are used with stationary or portable electrically operated devices such as:
  - Lighting systems
  - Conveyors
  - Heaters
  - Motor-generator sets
  - Air conditioners
  - Compressors
  - Pumps
- Locations where damp or corrosive conditions exist
- Class I: classified locations such as:
  - Petrochemical plants
  - Petroleum refineries
  - Paint and chemical plants
  - Any location where ignitable vapors or gases are present
- Class II: classified locations such as:
  - Process industries where there are dust hazards from handling such products as flour, grain and starch or any location where ignitable amounts of dust are present or amounts which would adversely affect performance

### Features

- Large housing provides ample wiring room.
- Style 2 (shell and extra pole) grounding.
- Spring door keeps dust out of receptacle when plug is not in use. Screw cover also supplied.
- Brass contacts exert constant pressure along entire contact surface and provide superior electrical contact.
- Contacts have beryllium copper wire springs.
- Insulators provide superior dielectric and mechanical strength and lowest arc tracking.
- Tapped NPT conduit openings at top and bottom: 30 Amp 3/4", 60 Amp 1-1/2", 100 Amp 2".
- "Interlocked Disconnect Switch" provides safe connect and disconnect operation at 30, 60 or 100 Amp, 600 Vac maximum, three pole, non-fused motor circuit switch. FSQC permits safe operation in Class I, Group B as well as Class I, Groups C and D, Class II, Groups F, G, and Class III.
- To operate, insert plug and turn receptacle face to "ON" position. To remove plug, turn to OFF position and pull plug out.
- ACP plug fits Powertite™ Series hazardous location FSQC receptacles.

### Standard Materials

- Receptacle and mounting box: copperfree (4/10 of 1% max.) aluminum
- ACP plugs: copperfree (4/10 of 1% max.) aluminum housings
- Insulating blocks: fiber glass reinforced polyester

### Standard Finishes

- Receptacles, mounting boxes, cord connector housings and caps: epoxy powder coat



**30 Amp**  
Shown with Flip Lid  
Cover



**60 Amp**  
Shown with Screw  
Cap Cover



**100 Amp**  
Shown with Flip Lid  
Cover

### Options

- Special Polarization: Prevents plug insertion in a receptacle or connector wired for a different voltage. In installations where there are different line voltages, the special polarization option is desirable. This allows only plugs and receptacles wired for the same line voltage to be mated together. The receptacle or connector interior is positioned 22-1/2°, relative to the polarization rivet, to the right (as specified) of standard, and plug is polarized to correspond. This option can be added to receptacles using the Powertite™ Plug. Add suffix **-P4** to receptacle or plug.
- Auxiliary contacts 1NO + 1NC. Add suffix **-AUX** to receptacle.

### NEC/CEC Certifications and Compliances

- UL Standard: UL 1010 (UL 1203), UL 894, UL 1682, UL 1686
- UL Listed: E10784
- CSA Standard: C22.2 No. 25, C22.2 No. 30, C22.2 No. 159
- CSA Certified: 025875

• Flip cover suitable for NEMA 3, 3R only.

▼ NEMA 4 rating maintained with Appleton NEMA 4 plug installed. Install screw cover for 4, 4X. Both covers are included with product.

Classified by UL and Certified by CSA for use in specific combinations with Crouse-Hinds Arktite. Arktite is a registered trademark of Cooper Crouse-Hinds.

Visit our website at [www.emerson.com](http://www.emerson.com) or contact us at (800) 621-1506.

© November 2016

Appleton®

PLUGS AND RECEPTACLES: NEC/CEC HAZARDOUS LOCATION

425

EMERSON

# FSQC 30, 60 and 100 Amp Series Receptacles and ACP Plugs

Disconnect Switch. Explosionproof, Dust-Ignitionproof

600 Vac Max. 250 Vdc Max.


**NEC/CEC:**

Class I, Division 1 and 2, Groups B, C, D


Class II, Division 1 and 2, Groups F, G

Class III

NEMA 3\*, 3R\*, 4\*, 4X\*, 7CD, 9FG

	Amp	Hub Size (Inches) †	Wire/Poles	Terminal Block Wire Range	Receptacle Catalog Number ①	Mating Plug Powertite™
	30	3/4 or 1	3W, 4P	#10 - #8	<b>FSQC3430</b>	<b>ACP3034BC</b>
	60	1-1/2	3W, 4P	#6 - #4	<b>FSQC5640</b>	<b>ACP6034BC</b>
	100	2	3W, 4P	#2 - 1/0	<b>FSQC61040</b>	<b>ACP1034CD</b>

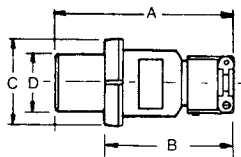
**ACP Plugs**

	Wire/Poles	Cable Dia. (Inches)	30 Amp	60 Amp	100 Amp
	3W, 4P	.390 to 1.375	<b>ACP3034BC</b>	<b>ACP6034BC</b>	—
		.875 to 1.906	—	—	<b>ACP1034CD</b>

**Maximum Horsepower Ratings of Switch**

Phase	Amps	120 Vac	240 Vac	480 Vac	600 Vac
Three	30	3	7.5	15	20
	60	—	10	25	30
	100	10	30	60	75

**ACP Plug Dimensions in Millimeters (Inches)**



Max. Amp	A	B	C	D
30	152.4 (6.00)	120.6 (4.75)	79.5 (3.13)	47.2 (1.86)
60	198.3 (7.81)	125.4 (4.94)	88.9 (3.50)	56.6 (2.23)
100	267.0 (10.50)	168.4 (6.63)	101.6 (4.00)	62.7 (2.47)

① Receptacle insulator and contacts are not serviceable.

• Flip cover suitable for NEMA 3, 3R only.

▼ NEMA 4 rating maintained with Appleton NEMA 4 plug installed. Install screw cover for 4, 4X. Both covers are included with product.

# FSQC 30, 60 and 100 Amp Series Receptacles and ACP Plugs

Disconnect Switch. Explosionproof, Dust-Ignitionproof

600 Vac Max. 250 Vdc Max.

**NEC/CEC:**

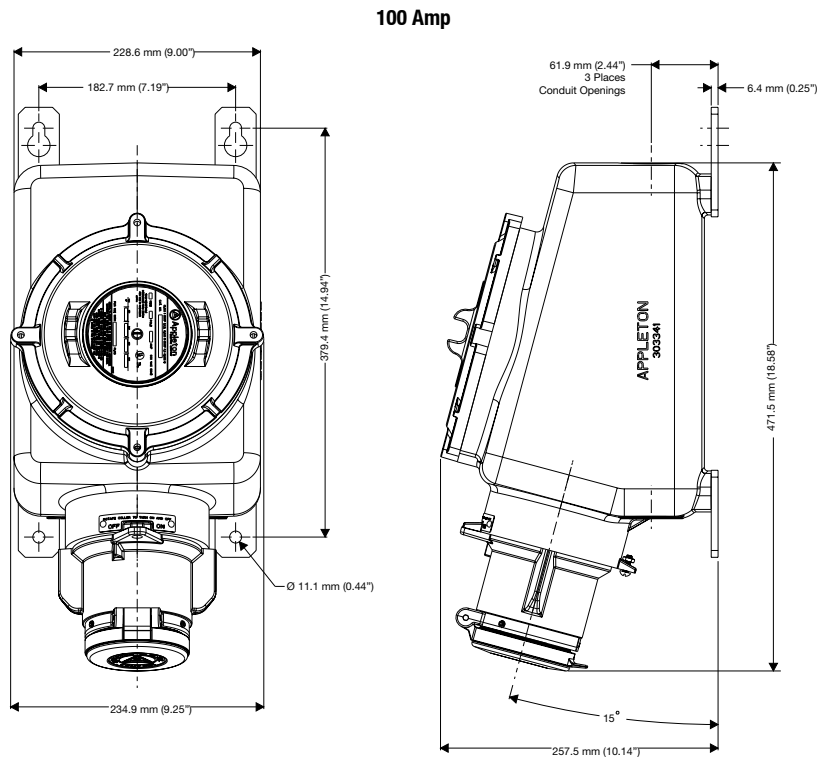
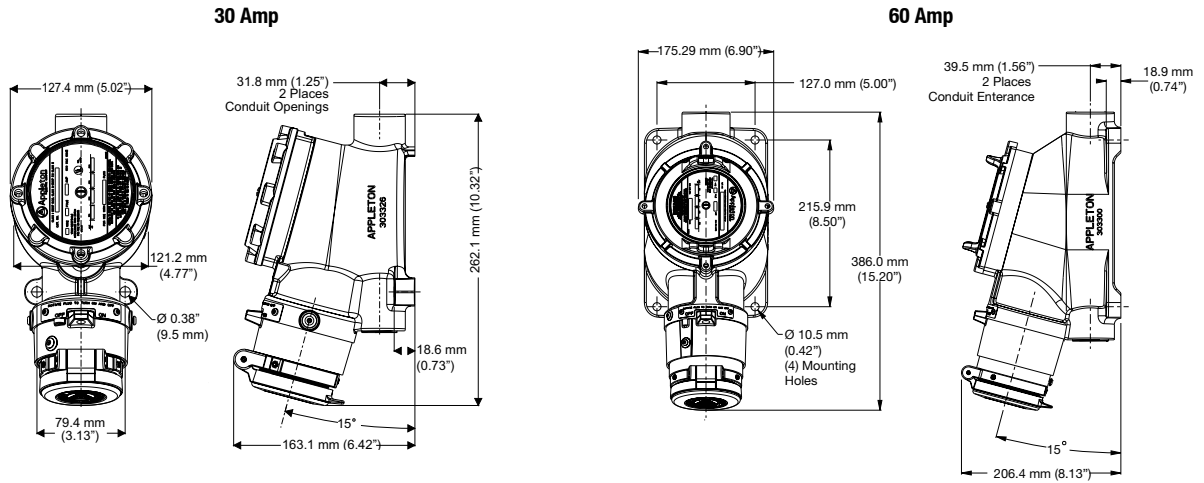
Class I, Division 1 and 2, Groups B, C, D

Class II, Division 1 and 2, Groups F, G

Class III

NEMA 3<sup>+</sup>, 3R<sup>+</sup>, 4<sup>+</sup>, 4X<sup>+</sup>, 7CD, 9FG

**FSQC Receptacles — Shown with Flip Lid Cover — Dimensions in Millimeters (Inches)**



• Flip cover suitable for NEMA 3, 3R only.

▼ NEMA 4 rating maintained with Appleton NEMA 4 plug installed. Install screw cover for 4, 4X. Both covers are included with product.