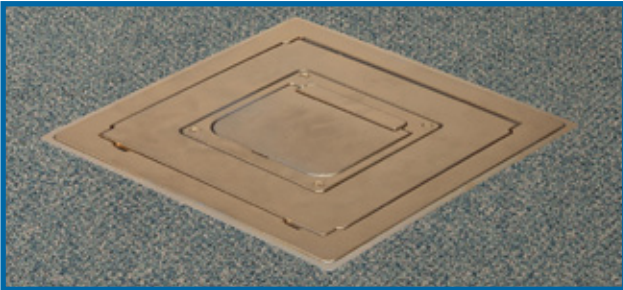


Recessed Service Floor Boxes

Covers and Tile Trims for 668-S Floor Box

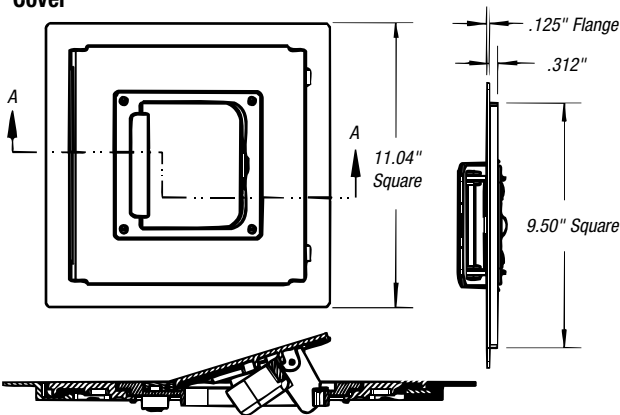


Standard mounting configuration: Flange on cover overlaps carpet, tile or wood floors.

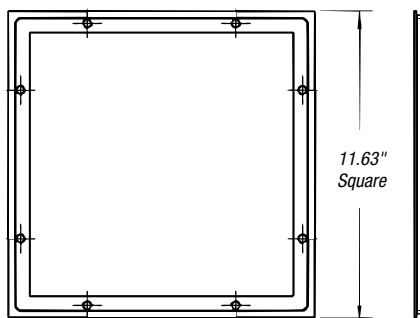


Flush mounting configuration: Optional trim ring allows cover to be mounted flush with tile or wood floors.

Cover



Section A-A



Trim Rings



| CAT. NO. | DESCRIPTION | STD. CTN. |
|--------------|--|-----------|
| 668-CST-ALM | 668-S Metal Cover — Aluminum Powder Coat | 1 |
| 668-CST-BRS | 668-S Metal Cover — Brass Powder Coat | 1 |
| 668-CST-BLK | 668-S Metal Cover — Black Powder Coat | 1 |
| 668-CST-BRN | 668-S Metal Cover — Brown Powder Coat | 1 |
| 668-CST-BGE | 668-S Metal Cover — Beige Powder Coat | 1 |
| 668-TRIM-ALM | 668-S Trim Ring — Aluminum Powder Coat | 4 |
| 668-TRIM-BRS | 668-S Trim Ring — Brass Powder Coat | 4 |
| 668-TRIM-BLK | 668-S Trim Ring — Black Powder Coat | 4 |
| 668-TRIM-BRN | 668-S Trim Ring — Brown Powder Coat | 4 |
| 668-TRIM-BGE | 668-S Trim Ring — Beige Powder Coat | 4 |

Contact Technical Service for color samples.

Device Plates for 668-S Floor Box



| CAT. NO. | DESCRIPTION | STD. CTN. |
|-----------|--------------------------------|-----------|
| 668-S-1RP | 668-S Single-Gang Duplex Plate | 1 |
| 668-S-1G | 668-S Single-Gang GFCI Plate | 1 |
| 668-S-BP | 668-S Blank Plate | 1 |

| CAT. NO. | DESCRIPTION | STD. CTN. |
|------------|--------------------------------------|-----------|
| 668-S-6RJ | 668-S Data Plate — 6 Keystone Jacks | 1 |
| 668-S-6PAN | 668-S Data Plate — 6 Panduit® Jacks | 1 |
| 668-S-6ORT | 668-S Data Plate — 6 Ortonics® Jacks | 4 |
| 668-S-6AVA | 668-S Data Plate — 6 Avaya® Jacks | 4 |