

Nonmetallic Plugmold® Raceway & Multioutlet Assemblies

Nonmetallic Plugmold Multioutlet Systems provides a versatile solution for many applications. Plugmold sections offer single or alternating circuits, standard or isolated ground receptacles, and Snapicoil® harnesses of prewired receptacles or cord ended units.

Nonmetallic Plugmold has a textured ivory finish with duplex receptacles, and can be customized to accommodate virtually any application.



Nonmetallic Plugmold Multioutlet Systems come in a variety of colors and configurations.

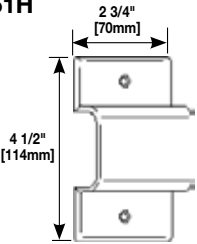
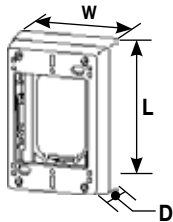
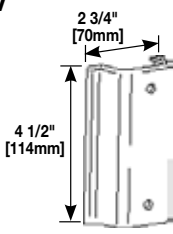
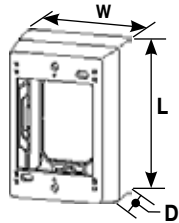
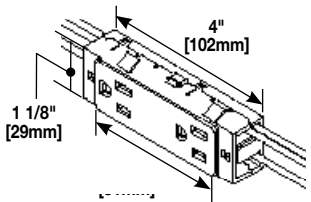
FEATURES & BENEFITS

- **Compact, low profile appearance.** Requires minimal space.
- **Full range of fittings.** Provides a complete wiring solution.
- **Single, alternating circuit, and isolated ground receptacles available.** Meets virtually any job requirement.
- **Variety of lengths.** Ideal for different spaces.
- **Choose receptacle spacing.** Suits many applications.
- **Snapicoil harnesses with different lengths and receptacle spacing.** Offers a solution for many electrical requirements.
- **Single- and dual-gang boxes available.** Wire devices into the raceway system.
- **Customization available.** All products can be modified to accommodate virtually any application.
- **Datacom connectivity options.** Accepts industry standard and proprietary devices from a wide range of manufacturers to provide a seamless and aesthetically pleasing interface for voice, data, audio, and video applications at the point-of-use.
- **UL and cUL Listed.** Safety and reliability in the applications.

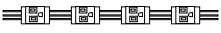

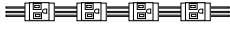
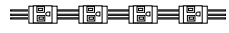



Nonmetallic Plugmold Multioutlet Systems is an ideal solution for a variety of residential applications.

Plugmold NM2000 Series Raceway Fittings Ordering Information (Continued)

Catalog No./Item	Description/Specifications	Catalog No./Item	Description/Specifications															
NM2051H 	Wall Box Adapter – For feeding raceway from an existing wall outlet; horizontal applications. Provides complete access to wall box for connections.	NM2048 NM2048-2 	Sure-Snap® Device Box – Cover snaps onto base, no screws required. Cover has twistouts on all sides. Rectangular KO in base for extension to wall box.															
NM2051V 	Wall Box Adapter – For feeding raceway from an existing wall outlet; vertical applications. Provides complete access to wall box for connections.	<table border="1" style="width: 100%; border-collapse: collapse; text-align: center;"> <thead> <tr> <th>CAT. NO.</th> <th>L</th> <th>W</th> <th>D</th> <th>GANG #</th> </tr> </thead> <tbody> <tr> <td>NM2048</td> <td>4 3/4" [121mm]</td> <td>3" [76mm]</td> <td>1 3/4" [44mm]</td> <td>1</td> </tr> <tr> <td>NM2048-2</td> <td>4 3/4" [121mm]</td> <td>4 7/8" [124mm]</td> <td>1 3/4" [44mm]</td> <td>2</td> </tr> </tbody> </table>	CAT. NO.	L	W	D	GANG #	NM2048	4 3/4" [121mm]	3" [76mm]	1 3/4" [44mm]	1	NM2048-2	4 3/4" [121mm]	4 7/8" [124mm]	1 3/4" [44mm]	2	
CAT. NO.	L	W	D	GANG #														
NM2048	4 3/4" [121mm]	3" [76mm]	1 3/4" [44mm]	1														
NM2048-2	4 3/4" [121mm]	4 7/8" [124mm]	1 3/4" [44mm]	2														
NM2044 	Extra Deep Device Box – For mounting power/communication device when additional depth is required. Has combination twistouts for 2700, 2800, 2900, and NM2000.	NM2027-15 NM2027-20 	Replacement Receptacles – 15A and 20A replacement devices. 6" [152mm] wire leads each side. Used to replace faulty receptacles in Plugmold Strips, not for installation in blank raceway base.															
<table border="1" style="width: 100%; border-collapse: collapse; text-align: center;"> <thead> <tr> <th>CAT. NO.</th> <th>L</th> <th>W</th> <th>D</th> <th>GANG #</th> </tr> </thead> <tbody> <tr> <td>NM2044</td> <td>4 3/4" [121mm]</td> <td>3" [76mm]</td> <td>2 3/4" [44mm]</td> <td>1</td> </tr> <tr> <td>NM2044-2</td> <td>4 3/4" [121mm]</td> <td>4 7/8" [124mm]</td> <td>2 3/4" [44mm]</td> <td>2</td> </tr> </tbody> </table>	CAT. NO.	L	W	D	GANG #	NM2044	4 3/4" [121mm]	3" [76mm]	2 3/4" [44mm]	1	NM2044-2	4 3/4" [121mm]	4 7/8" [124mm]	2 3/4" [44mm]	2			
CAT. NO.	L	W	D	GANG #														
NM2044	4 3/4" [121mm]	3" [76mm]	2 3/4" [44mm]	1														
NM2044-2	4 3/4" [121mm]	4 7/8" [124mm]	2 3/4" [44mm]	2														

Plugmold NM2000 Series Raceway Wiring Configurations

With Snapicoil			
			
GB Series: 3-wire, #12 THHN (1 hot, 1 neutral and 1 ground), 1 circuit; has insulated grounding conductor.	GBA Series: 4-wire, #12 THHN (2 hot, 1 neutral and 1 ground), 2 circuit; outlets wired alternately; has insulated grounding conductor.	IG Series: 3-wire, #12 THHN (1 hot, 1 neutral and 1 ground), 1 circuit; has insulated-isolated grounding conductor. Orange receptacles.	GB Series: 3-wire, #12 THHN (1 hot, 1 neutral and 1 ground), 1 circuit; has insulated grounding conductor.
			
			GBA Series: 4-wire, #12 THHN (2 hot, 1 neutral and 1 ground), 2 circuit; outlets wired alternately; has insulated grounding conductor.

NOTE: SNAPICOIL REELS on custom order. Snapicoil harness is available on reels if lengths greater than 50' are needed, or if multiple lengths are required for production-type jobs. The maximum length per reel is 240' for Snapicoil with outlets 12" and 18" on centers; 500' with outlets 30" on center. Packaging includes the necessary number of lengths of base, holecut cover, wire clips, and couplings for complete installation. Price and delivery information should be obtained prior to specifying or ordering. To specify or order, add "R" to the Snapicoil number. Ex: V20GB12R. Other outlet spacings available on custom order.

Receptacles are made from high impact thermoplastic. Snapicoil packaging includes the necessary lengths of 2000B Base, 2000C Hole Cut Cover, 2000WC Wire Clips, and 2001 Couplings for complete installation.

Plugmold NM2000 Series Raceway with Snapicoil Harness

CATALOG NO.	LENGTH	WIRING CONFIG	OUTLETS (15A 120V NEMA 5-15SR)		HOLE CUT COVER		HOUSING
			CENTER DISTANCE	QUANTITY	QUANTITY	LENGTH	
NM20GB12	48'	GB	12" [152mm]	24 Duplex	8	6' [1.8m]	PVC-Ivory
NM20GBA12	48'	GBA	12" [305mm]	24 Duplex	8	6' [1.8m]	PVC-Ivory

Nonmetallic Plugmold Multioutlet Systems Wiring Specifications

NM2000 Series Plugmold Multioutlet Systems Ordering Information

CATALOG NO.	LENGTH		WIRING CONFIG	OUTLETS		HOUSING
				CENTER DISTANCE	QUANTITY	
NM24GB412**	4'	[1.2m]	GB	12"	[305mm] 4 Duplex 20A	PVC – Ivory
NM24GBA412**	4'	[1.2m]	GBA	12"	[305mm] 4 Duplex 20A	PVC – Ivory
NM20GB412*	4'	[1.2m]	GB	12"	[305mm] 4 Duplex 15A	PVC – Ivory
NM20GBA412*	4'	[1.2m]	GBA	12"	[305mm] 4 Duplex 15A	PVC – Ivory
NM20IG412*	4'	[1.2m]	IG	12"	[305mm] 4 Duplex 15A	PVC – Ivory
NM24GB512**	5'	[1.5m]	GB	12"	[305mm] 5 Duplex 20A	PVC – Ivory
NM24GB530**	5'	[1.5m]	GB	30"	[760mm] 2 Duplex 20A	PVC – Ivory
NM24GBA512**	5'	[1.5m]	GBA	12"	[305mm] 5 Duplex 20A	PVC – Ivory
NM20GB512*	5'	[1.5m]	GB	12"	[305mm] 5 Duplex 15A	PVC – Ivory
NM20GB515*	5'	[1.5m]	GB	15"	[381mm] 4 Duplex 15A	PVC – Ivory
NM20GB530*	5'	[1.5m]	GB	30"	[760mm] 2 Duplex 15A	PVC – Ivory
NM20GBA512*	5'	[1.5m]	GBA	12"	[305mm] 5 Duplex 15A	PVC – Ivory
NM20IG512*	5'	[1.5m]	IG	12"	[305mm] 5 Duplex 15A	PVC – Ivory
NM24GB612**	6'	[1.8m]	GB	12"	[305mm] 6 Duplex 20A	PVC-Ivory
NM24GB618**	6'	[1.8m]	GB	18"	[457mm] 4 Duplex 20A	PVC-Ivory
NM24GBA612**	6'	[1.8m]	GBA	12"	[305mm] 6 Duplex 20A	PVC-Ivory
NM20GB609*	6'	[1.8m]	GB	9"	[229mm] 8 Duplex 15A	PVC-Ivory
NM20GB612*	6'	[1.8m]	GB	12"	[305mm] 6 Duplex 15A	PVC-Ivory
NM20GB618*	6'	[1.8m]	GB	18"	[457mm] 4 Duplex 15A	PVC-Ivory
NM20GBA609*	6'	[1.8m]	GBA	9"	[229mm] 8 Duplex 15A	PVC-Ivory
NM20GBA612*	6'	[1.8m]	GBA	12"	[305mm] 6 Duplex 15A	PVC-Ivory
NM20IG612*	6'	[1.8m]	IG	12"	[305mm] 6 Duplex 15A	PVC-Ivory

*NM2000 is a 15A Multiple Outlet System.

**NM2400 is a 20A Multiple Outlet System with 20A Receptacles utilizing the same NM2000 Raceway profile.

Cord-Ended Plugmold Series

CAT NO.	UNIT LENGTH	OUTLETS QUANTITY	CORD SET LENGTH	TYPE	SWITCH	CIRCUIT BREAKER	HOUSING
NM20-C3	3' [.92m]	3 Duplex	6' [1.8m]	14/3 SJT	Yes	Yes	PVC-Ivory
NM20-C4	4' [1.2m]	4 Duplex	6' [1.8m]	14/3 SJT	Yes	Yes	PVC-Ivory
NM20-C5	5' [1.5m]	5 Duplex	6' [1.8m]	14/3 SJT	Yes	Yes	PVC-Ivory
NM20-C6	6' [1.8m]	6 Duplex	6' [1.8m]	14/3 SJT	Yes	Yes	PVC-Ivory

NM2000 Series Raceway Wire Fill Capacities for Power

CABLE TYPE	WIRE SIZE THHN/THWN	O.D.		NUMBER OF CONDUCTORS (40% FILL) NM2000*
		Inches	[mm]	
POWER WIRING WITHOUT DEVICES	10 AWG	0.164	[4.2]	15
	12 AWG	0.130	[3.3]	31
	14 AWG	0.111	[2.8]	45
POWER WIRING WITH DEVICES (Plugmold Series)	10 AWG	0.153	[3.9]	–
	12 AWG	0.122	[3.1]	8**
	14 AWG	0.105	[2.7]	8**

*Wire capacity limited to maximum of seven conductors due to .025" [.6mm] material thickness of cover.

**Including one hot, neutral, and ground wire from the receptacle.