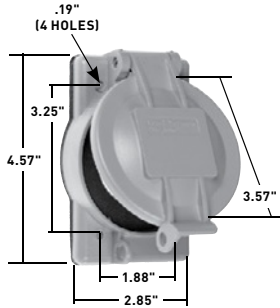
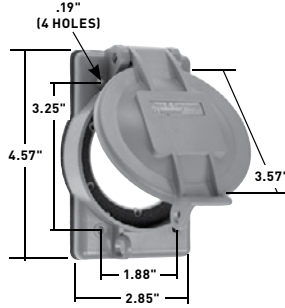


# INDUSTRIAL SPEC GRADE TURNLOK® LOCKING DEVICES

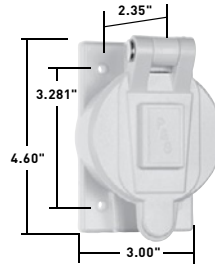
## Accessories



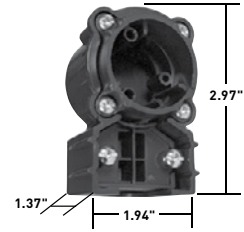
**WPG1**



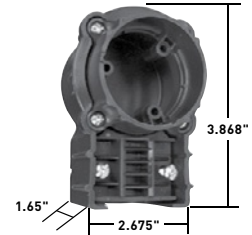
**WPG2**



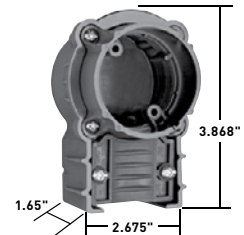
**7770**



**L15AN**



**L20303AN**



**L203045AN**

CATALOG NUMBER	DESCRIPTION	COLOR
<b>WEATHERPROOF COVERS</b>		
<b>WPG1</b>	Cover for 15A Turnlok Flanged Inlets and Outlets	Gray
<b>WPG2</b>	Cover for 20 and 30A Turnlok Flanged Inlets and Outlets	Gray
<b>7770</b>	Cover for 50A Locking Receptacle, Thermoplastic	Yellow
<b>3720FS</b>	Clear Cover for Single Receptacle, Thermoplastic	Gray
<b>3710FS</b>	Clear Cover for Duplex Receptacle, Thermoplastic	Gray
<b>3722FS</b>	Clear Cover for Power Outlet, Thermoplastic	Gray
<b>3760</b>	Cover for Single Receptacle	Gray
<b>STAINLESS STEEL PLATES</b>		
<b>SS7</b>	Plate for Single Receptacle	S/S
<b>SS8</b>	Plate for Duplex Receptacle	S/S
<b>SS720</b>	Plate for Locking Receptacle	S/S
<b>WP7</b>	Dustproof Cover for Single Receptacle	S/S
<b>WP8</b>	Dustproof Cover for Duplex Receptacle	S/S
<b>STRAIN RELIEF GRIPS</b>		
<b>FC22GL</b>	Strain Relief Grip – .220"-.320"	
<b>FC30GL</b>	Strain Relief Grip – .300"-.430"	
<b>FC40GL</b>	Strain Relief Grip – .400"-.560"	
<b>FC52GL</b>	Strain Relief Grip – .520"-.730"	
<b>FC70GL</b>	Strain Relief Grip – .700"-.940"	
<b>FC94GL</b>	Strain Relief Grip – .940"-1.250"	
<b>TURNLOK RIGHT ANGLE ADAPTER</b>		
<b>L15AN</b>	15A Turnlok Right Angle Adapter	Black
<b>L20303AN</b>	20 and 30A 3 Wire Turnlok Right Angle Adapter	Black
<b>L203045AN</b>	20 and 30A 4 and 5 Wire Turnlok Right Angle Adapter	Black

# WEATHERPROOF BOXES & COVERS

## WPG1 and WPG2 Thermoplastic/Heavy Cast Aluminum Covers

**Two sizes: 1.96" and 2.32" diameters** to cover 15A/20A Straight Blade and 15A/20A/30A Turnlok® devices. Covers fit all competitive flanged inlets and outlets.

**Stainless steel mounting screws** resist corrosion.

- A. Pre-attached gaskets** for easy installation and tight seal to panel or weatherproof box — with no misaligned or collapsed gaskets.
- B. Tamper-proof hinge** features permanent, locked-in pins for added security.
- C. Unbreakable glass-filled polycarbonate construction** withstands years of job site abuse and harsh environmental exposure. Stainless steel mounting screws resist corrosion.
- D. Molded-in label area** for pre-printed or handwritten labels identifying circuits, ratings, and other data.
- E. Lockable "bullnose"** for OSHA Lockout/Tagout compliance.

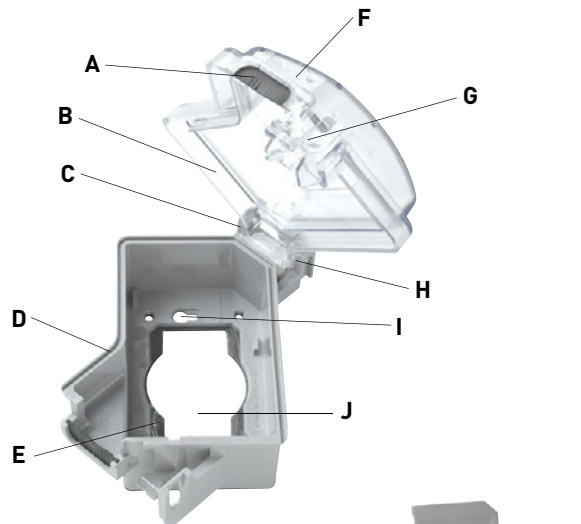


WPG1 and WPG2

## WIUC10SC While-In-Use Cover

**The NEC® Section 406.9(B)(1) requires** that all 15 and 20 Amp, 125 and 250 Volt outdoor receptacles in wet locations have a cover that is weatherproof — even when a plug is inserted into the receptacle.

- A. Exclusive cord flap gasket** inhibits water splash from driving rain or sprinklers.
- B. Sturdy polycarbonate construction** resists impacts and harsh weather.
- C. Patented corner hinge and cord opening** allow vertical or horizontal installation.
- D. Exclusive WaterShed™ Channel** keeps water moving outside while cord flap keeps the inside dry.
- E. Preapplied gasket** easier to install, saves time, won't get lost or damaged.
- F. Paintable, textured finish** hides scratches.
- G. Patented trigger latch** opens easily with one finger, yet is lockable to prevent tampering.
- H. Sturdy, molded-in hinge** withstands hard use.
- I. Installs without removing electrical device**, thanks to patented, keyed mounting holes.
- J. Roomy interior** provides space for plugs and cord bends.



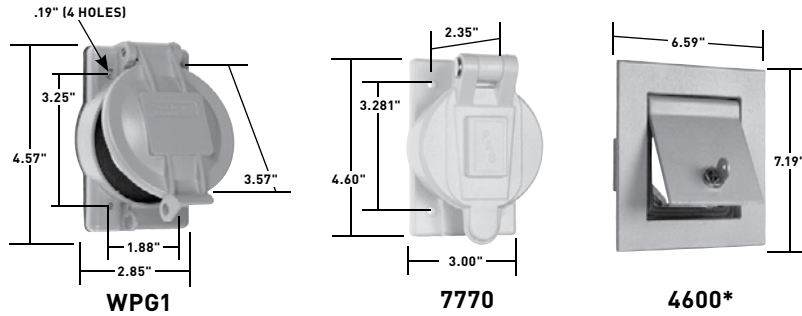
WIUC10SC



**Snap-in device plates** require no tools to install and won't fall out. See chart for plates provided with each catalog number.

# WEATHERPROOF BOXES & COVERS

## Thermoplastic/Heavy Cast Aluminum Covers Specification Grade



### INDUSTRIAL GRADE WEATHERPROOF COVERS

#### Features

- Unbreakable glass-filled polycarbonate construction to withstand years of job site abuse and harsh environmental exposure. Stainless steel mounting screws also resist corrosion.
- Covers comply with NEC® Section 406.9(A).
- Molded-in label area (2.8 sq. in.) for pre-printed or handwritten labels for identification of circuits, ratings, and other application data.
- WPG1 and WPG2 have lockable "bullnose" for OSHA locktag/tagout compliance.
- Covers fit all competitive inlets and outlets.
- Pre-attached gaskets for easy installation and tight seal to panel or weatherproof box – with no misaligned or collapsed gaskets.
- Tamper-proof hinge features permanent, locked-in pins for added security.

CATALOG NUMBER	DESCRIPTION	COLOR	3RD PARTY COMPLIANCE	
			UL	SF
<b>THERMOPLASTIC WEATHERPROOF COVERS FOR FLANGED INLET/OUTLET</b>				
WPG1	1.96" Diameter Opening to Accommodate 15/20A Straight Blade, 15A Turnlok, 20403 Power Interrupter	Gray	•	•
WPG2	2.32" Diameter Opening to Accommodate 20A Turnlok, 30A Turnlok	Gray	•	•
<b>THERMOPLASTIC WEATHERPROOF COVER FOR SINGLE RECEPTACLES</b>				
7425Y	Corrosion-Resistant Flip Lid Receptacle Cover for 20/30A Turnlok®	Yellow		
7425GRY	Corrosion-Resistant Flip Lid Receptacle Cover for 20/30A Turnlok®	Gray		
7770	2.38" Diameter Opening to Accommodate 50A Turnlok (non-lockout)	Yellow	•	
7770GRY	2.38" Diameter Opening to Accommodate 50A Turnlok (non-lockout)	Gray	•	

### HEAVY CAST ALUMINUM COVERS – FLUSH ENCLOSURES

#### Features

- Adapter, frame, and cover are heavy cast aluminum.
- No. 8-32 screws hold assembly firmly in place.
- Covers comply with NEC® Section 406.9(A).
- Mortar keys provide positive holding means within wall.
- Neoprene gasket seals cover to frame. Moisture and dust cannot enter enclosure.
- Two keys provided for lock.
- Purchase enclosure and mounting plate separately
- Mounts on 4" or 4-11/16" box.

CATALOG NUMBER	DESCRIPTION	COLOR	3RD PARTY COMPLIANCE	
			UL	SF
<b>MORTARED-IN APPLICATIONS</b>				
4600*	Enclosure Only, without Mounting Plate	Gray	•	•
46001P	Mounting Plate for Toggle Switch	Gray	•	•
46007P	Mounting Plate for Single Receptacle Diameter: 2.156"	Gray	•	•
46008P	Mounting Plate for Duplex Receptacle	Gray	•	•
460026P	Mounting Plate for Decorator/GFCI	Gray	•	•
4609	Replacement Key for Enclosure		•	•

\*Note: All locks keyed the same.