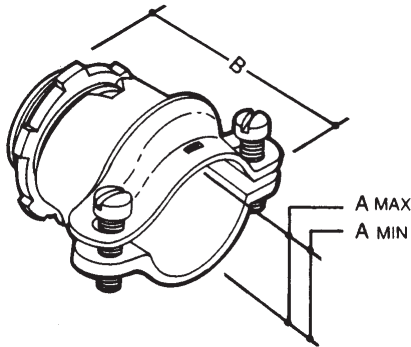


Romex Connector—Non-metallic

Cat. No.	Pack Qty.
W100LXP	50
W100LXKP1	100
W100LXKP2	200

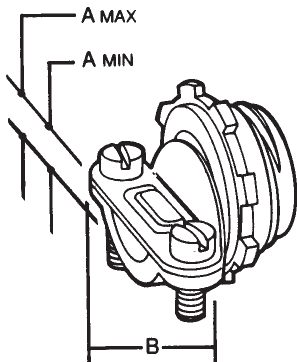
1/2" Size
 For 14/2, 14/3, 12/2,
 12/3, 10/2, 10/3, 2 x 14/2,
 2 x 14/3, 2 x 12/2



NM Clamp Type Connector—Die Cast Zinc

Cat. No.	Conduit Size	Dimensions (in.)		
		A (min.)	A (max.)	B
NC-201	3/8"	0.40"	0.95"	1.87"
NC-202	3/4"	0.50"	1.10"	1.84"
NC-203	1"	0.62"	1.14"	2.00"
NC-204	1 1/4"	0.50"	1.38"	2.28"
NC-205	1 3/8"	0.75"	1.61"	2.49"
NC-206	2"	0.90"	2.04"	3.35"

CSA File No. LR-18130M57
 U.L. File No. E-17583



Clamp Type Connector—Die Cast Zinc

Cat. No.	Conduit Size	Dimensions (in.)		
		A (min.)	A (max.)	B
NC-301	3/8" (1/2" KO)	0.18"	0.64"	1.16"
NC-302	3/4"	0.41"	0.82"	1.87"
NC-303	1"	0.34"	0.94"	2.01"

CSA File No. LR-18130M57
 U.L. File No. E-17583



Connectors Clamp Type, Non-Watertight—Die Cast Zinc

Cat. No.	Size	Dimensions (in.)		
		A (min.)	A (max.)	B
NC-041	1 1/4"	0.27"	0.75"	2.02"
NC-051	1 1/2"	0.54"	0.95"	2.50"
NC-061	2"	0.75"	1.12"	3.41"

U.L. File No. E-38655 1 1/4" & 1 1/2"
 U.L. File No. E-17583 2"