



CUTOFF  
(VERTICAL ORIENTATION)



HOOD  
(HORIZONTAL ORIENTATION)



LOUVER  
(HORIZONTAL ORIENTATION)



MARKER  
(VERTICAL ORIENTATION)

## Description

The LMS Mini LED step light is designed for installation in indoor wall mount applications using standard junction boxes (not supplied) • IC rated for direct contact with insulating materials • Four distinct optics conceal LEDs and provide unique light distribution patterns • Modular design allows fixture to be mounted in horizontal or vertical orientation • Ideal for residential, theatrical, or commercial applications • Designed to provide 50,000 hours of life

## Listings

UL and cUL Listed for damp locations • RoHS compliant

## Features

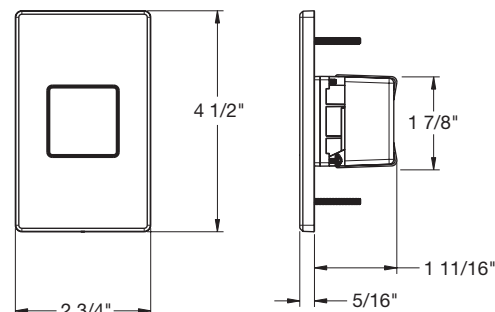
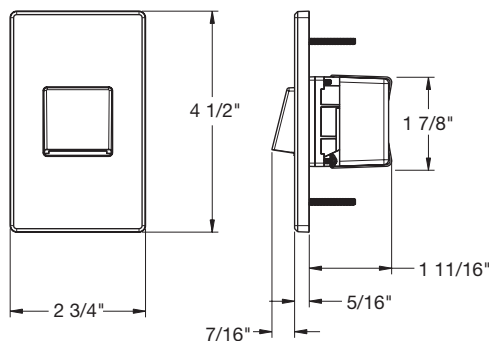
- Miniature LED indoor step light
- Environmentally friendly, energy efficient
  - No harmful ultraviolet or infrared wavelengths
  - No lead or mercury
- Die cast aluminum construction designed for use in IC and Non-IC application
- 3000K and 4100K color temperatures available
- Rated for 50,000 hours at 70% lumen maintenance
- Modular design allows fixture to be mounted in horizontal or vertical orientation
- Available in hood, cutoff, louver, and marker optics to conceal LEDs, and provide four unique light distribution patterns
- Available in plated satin nickel or bronze and textured black or white finishes
- Designed to mount directly in standard junction boxes: 2" x 4" (2 1/8" minimum depth) or 4" x 4" (1 1/2" minimum depth) fitted with a single-gang plaster ring 5/8" minimum depth
- Utilizes two 1-watt high lumen LEDs
- UL Listed for indoor damp locations and through-branch wiring, maximum 4 No. 12 AWG 75° C through branch circuit conductors for 2 x 4 junction box or maximum 8 No. 12 AWG 75° C through branch circuit conductors for 4 x 4 junction box
- Accommodates an input voltage of 120 VAC at 60Hz
- Driver is dimmable with the use of Juno qualified 120V electronic low voltage dimmers

## Ordering Information

Example: LMS-3K-L-WH

Catalog No.	Color Temp.	Optic	Finishes
LMS	3K 3000K 41K 4100K	C Cutoff L Louver H Hood M Marker	BL Black, Textured WH White, Textured SN Satin Nickel, Plated BZ Bronze, Plated

## Dimensions



Note:  
Vertical orientation shown. All fixtures can be mounted in vertical or horizontal orientation.