

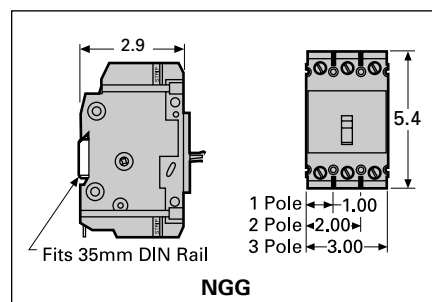
Molded Case Circuit Breakers

NGG 125A Frame

Selection

Type NGG (Cable In - Cable Out)

Continuous Ampere Rating @ 40°C	1-Pole		2-Pole		3-Pole	
	Catalog Number	List Price \$	Catalog Number	List Price \$	Catalog Number	List Price \$
15	NGG1B015L ^{①②}	153.00	NGG2B015L ^②	480.00	NGG3B015L ^②	629.00
20	NGG1B020L ^{①②}	153.00	NGG2B020L ^②	480.00	NGG3B020L ^②	629.00
25	NGG1B025L ^②	153.00	NGG2B025L ^②	480.00	NGG3B025L ^②	629.00
30	NGG1B030L ^②	153.00	NGG2B030L ^②	480.00	NGG3B030L ^②	629.00
35	NGG1B035L ^②	153.00	NGG2B035L ^②	480.00	NGG3B035L ^②	629.00
40	NGG1B040L ^②	153.00	NGG2B040L ^②	480.00	NGG3B040L ^②	629.00
45	NGG1B045L ^②	153.00	NGG2B045L ^②	480.00	NGG3B045L ^②	629.00
50	NGG1B050L ^②	153.00	NGG2B050L ^②	480.00	NGG3B050L ^②	629.00
60	NGG1B060L	153.00	NGG2B060L	480.00	NGG3B060L	629.00
70	NGG1B070L	258.00	NGG2B070L	637.00	NGG3B070L	740.00
80	NGG1B080L	258.00	NGG2B080L	637.00	NGG3B080L	740.00
90	NGG1B090L	258.00	NGG2B090L	637.00	NGG3B090L	740.00
100	NGG1B100L	258.00	NGG2B100L	637.00	NGG3B100L	740.00
110	NGG1B110L	521.00	NGG2B110L	1275.00	NGG3B110L	1470.00
125	NGG1B125L	521.00	NGG2B125L	1275.00	NGG3B125L	1470.00



Line and load lugs are included as standard. If no lugs are required, remove the "L" suffix. HACR rated.

Suitable for screws or DIN rail mounting.

Shipping Weights

Number of Poles	Number per Carton	Shipping Weight lbs. (kg)
1	1	.75 (0.34)
2	1	1.3 (0.59)
3	1	2.0 (0.98)

Lugs For 60/75°C Wire

NGG		
Ampere Rating	Wire Size	Catalog Number
15-30A	#14-#6 AWG Cu	TC1Q1 (qty. 1)
	#12-#6 AWG Al	3TC1Q1 (qty. 3)
35-125A	#6-#1/0 AWG Cu #4-#2/0 AWG Al	3TC1GG20 (qty. 3)
15-125A	Nut Keeper plate w/ screw (for crimp terminals)	TNKG3 (qty. 3)

Interrupting Ratings

Breaker Type	Number of Poles	UL 489 AIR								IEC 947-2				
		RMS Symmetrical Amperes (KA)								Volts AC (50/60Hz)				
		Volts AC(50/60Hz)				Volts DC				220/240		380/415		Volts DC
		120	240	277	347	480	600/347	125	125/250	Icu	Ics	Icu	Ics	125/250
NGG	1	65	—	25	14	—	—	14	—	25	12.5	—	—	—
	2, 3	—	65	—	—	25	14	—	14 ^③	65	33	25	12.5	14

For inches / millimeters conversion, see Application Data section.

① SWD rated.

③ 125/250V DC rating applies to 2-pole NGG only.

② HID rated at 15-50A 1-pole @ 277 VAC; 2 & 3-pole @ 480 VAC

Enclosures Section 5
Accessories pages 6-23 and 6-78 to 6-83