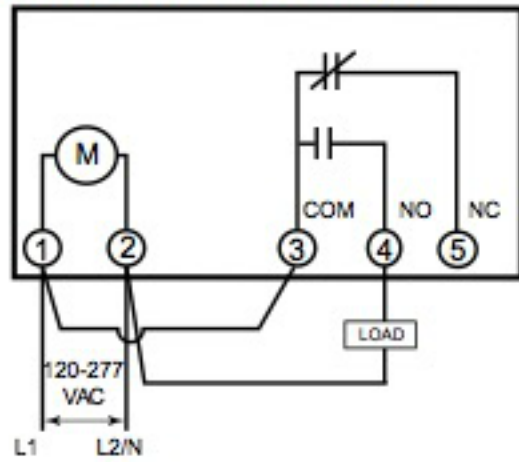




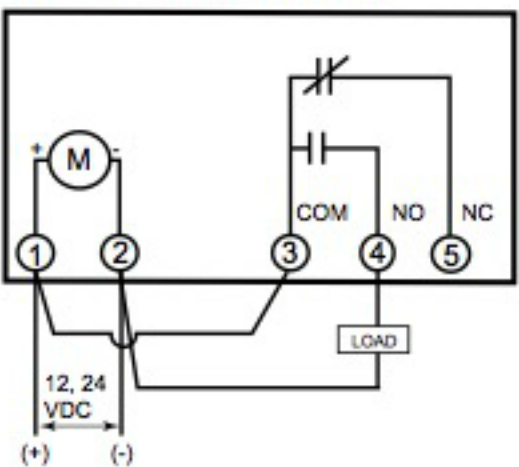
FM1D14

Wiring Diagrams

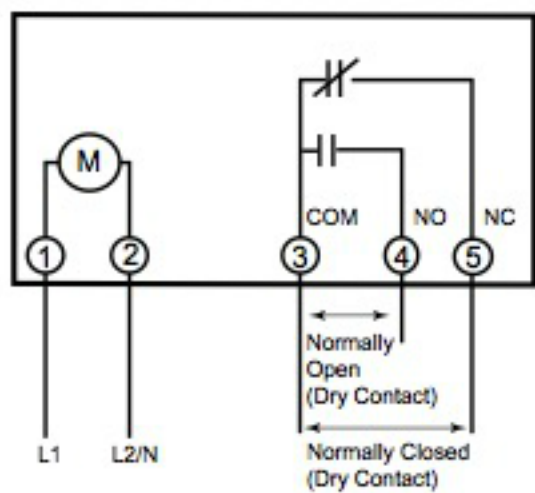
Typical Wiring
(24-277 VAC Application)



Typical Wiring
(12/24 VDC Application)

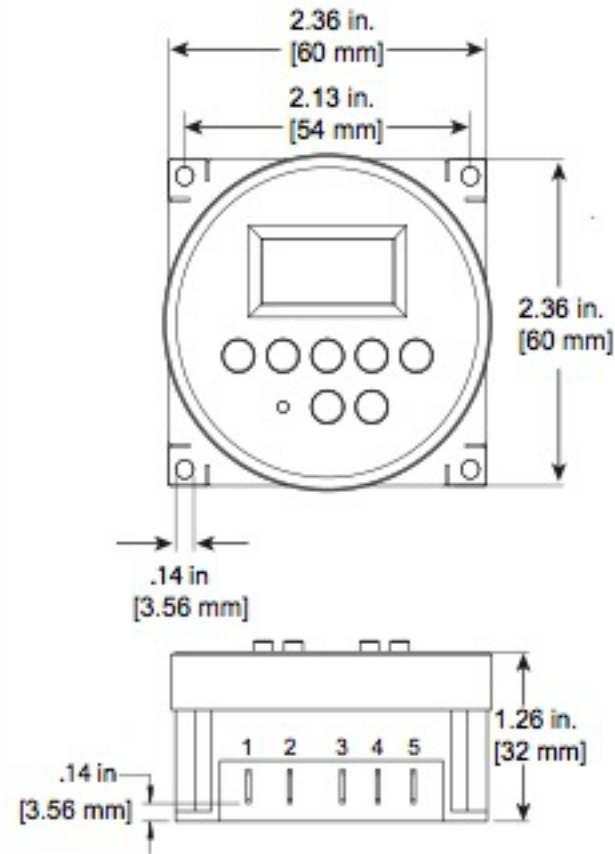


NO & NC Switching Configuration

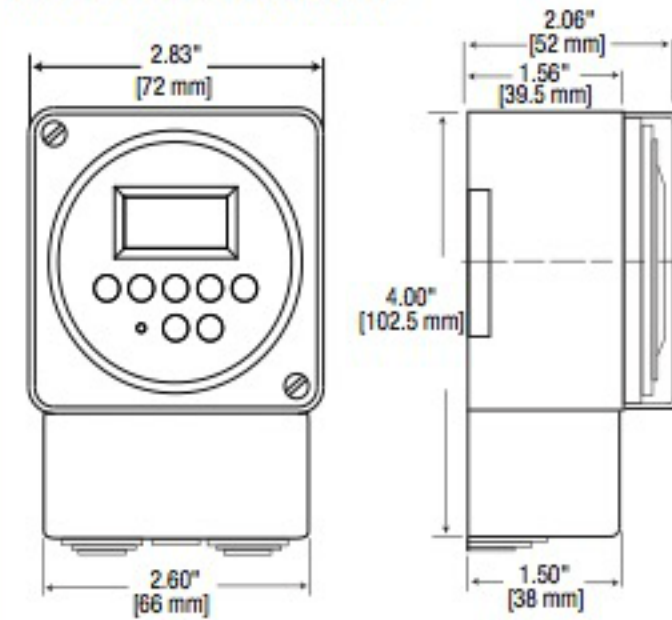


Dimensions

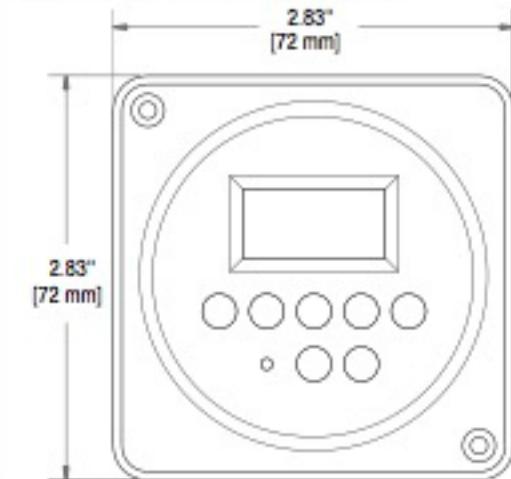
FM1D14 Panel Mount



FM1D14A Surface/DIN Rail
with Clear Dust Cover



FM1D14E Flush Mount
with Clear Dust Cover



FM1D14 Series

15 A, 1-Circuit Timer Modules

The FM1D14 Series is a great value electronic time-based control solution for ventilating, heating, cooling, lighting or other electrical loads in commercial and industrial applications. These one channel time switches are programmable for 24-hour or 7-day schedules. The FM1D14 series is intended for either panel, surface, flush or DIN rail mounting. Flush and surface/DIN rail (A & E models) are completely enclosed in a plastic housing and include a terminal cover, dust cover and subbase for installation and hard wiring.

Applications

The FM1D14 Series Electronic Time Control is a light duty commercial time switch ideal for 12 VDC, 24 VAC/VDC or 120-277 VAC single-phase applications such as:

- Generator exercising
- Scheduling occupied/unoccupied ventilation system operation
- Parts washer • Commercial refrigeration
- Pumps/motors/fans control • HVAC control circuits
- Photovoltaic control • Landscape lighting • Security gates

Features

- 24-Hour or 7-day applications
- 14 Setpoint programs
- Easy to program
- Manual override with status indication
- Self-recharging battery with backup protection up to 2500-hours
- LCD display
- 5 Preset adjustable block programs
- A & E models come with clear dust cover

Model #	Mounting	Input Voltage	Programs
FM1D14-12U	Panel	12 VDC, 50/60 Hz	14
FM1D14-24U		24 VAC/VDC, 50/60 Hz	14
FM1D14-AV-U		120-277 VAC, 50/60 Hz	14
FM1D14A-12	Surface/ DIN Rail	12 VDC, 50/60Hz	14
FM1D14A-24		24 VAC/VDC, 50/60Hz	14
FM1D14A-AV		120-277 VAC, 50/60Hz	14
FM1D14E-12	Flush	12 VDC, 50/60Hz	14
FM1D14E-24		24 VAC/VDC, 50/60Hz	14
FM1D14E-AV		120-277 VAC, 50/60Hz	14

Accessories

Surface/DIN Rail Mount Kit	FM-SU
Flush Mount Kit	FM-FU
Clear Dust Cover for Panel Mount Timers	DC-FME

SPECIFIERS GUIDE

Furnish and install a Grässlin FM1D14____24-Hour/7-Day Electronic Time Switch. This 1-circuit control shall have 24-Hour/7-Day programming, 7 ON and 7 OFF setpoint programs, and five preset block programs to allow a selection of any combination of days for different weekday schedules. The LCD shall display time of day in AM/PM format. A Daylight Saving Time Adjustment button shall also be provided. The time switch will be programmable to-the-minute and also offer a manual override for temporary ON/OFF to the next scheduled event. The LCD shall provide load status indication. The SPDT relay output will be rated for 15 A General Use @ 277 VAC. For carry-over, the timer module shall have a self-recharging battery with 2500 hour reserve carry-over. The time switch shall be_____(Panel) (Surface/DIN Rail), or (Flush) Mountable.



Ratings	
Supply Voltage	12 VDC, 24 VAC/VDC, 120-277 VAC, 50/60 Hz
Power Consumption	1.4 W
Switch Type	SPDT
Contact Ratings (NO)	
General Purpose	15 A, 277 VAC
Tungsten	1000 W, 120 VAC
Ballast	8 A, 277 VAC
Pilot Duty	B300
Electronic Ballast	4.9 A, 120 VAC
Motor	10 FLA, 60 LRA @ 250 VAC; ½ HP @ 120 VAC; 1 HP @ 250 VAC
Contact Ratings (NC)	
General Purpose	15 A, 277 VAC
Resistive	12 A, 24 VDC
Ballast	8 A, 120 VAC
Motor	10 FLA, 60 LRA @ 250 VAC; ½ HP @ 120/240 VAC
Operating Temperature	-40° F to 131° F (-40° C to 55° C) Limited display function at -13° F
Cut-out Dimensions (Flush Mount) H x W	2 5/8" x 2 5/8" (66 mm x 66 mm)
Wiring Terminals	
FMD14, FMD14E	¼" quick connect terminals
FMD14A	Screw terminals for #24 to #10 AWG Wire
Shipping Weight	FM1D14 .23 lbs ; FM1D14A .53 lbs ; FM1D14E .26 lbs
Warranty	1-year limited

FM1D20 Series

16 A, 1-Circuit Timer Modules

The FM1D20 Series Electronic Time Controls are for ventilating, heating, cooling, lighting or other electrical loads in commercial and industrial applications. These one-channel time switches are programmable for 24-hour or 7-day schedules. They are intended for either panel, surface, flush, or DIN rail mounting. Flush and surface/DIN rail (A & E models) are completely enclosed in a plastic housing and include a terminal cover, dust cover and subbase for installation and hard wiring.

Applications

These light-duty, commercial time switches are ideal for 24 VAC/VDC or 120, 240 VAC single phase applications, such as:

- Generator exercising
- Scheduling occupied/unoccupied ventilation system operation
- Parts washer • Commercial refrigeration
- Pumps/motors/fans control • HVAC control circuits
- Lighting control • Landscape lighting • Security gates

Features

- 24-Hour or 7-day applications
- 20 Setpoint programs
- Three preset adjustable block programs
- Easy-to-follow menu driven programming
- Manual override with status indication
- Battery backup
- Large LCD
- Daylight Saving Time adjustment
- A & E models come with clear dust cover

Model #	Mounting	Voltage	Programs
FM1D20-24U	Panel	24 VAC/VDC, 50/60Hz	20
FM1D20-120U		120 VAC, 50/60Hz	20
FM1D20-240U		240 VAC, 50/60Hz	20
FM1D20A-24	Surface/ DIN Rail	24 VAC/VDC, 50/60Hz	20
FM1D20A-120		120 VAC, 50/60Hz	20
FM1D20A-240		240 VAC, 50/60Hz	20
FM1D20E-24	Flush	24 VAC/VDC, 50/60Hz	20
FM1D20E-120		120 VAC, 50/60Hz	20
FM1D20E-240		240 VAC, 50/60Hz	20

Accessories

Surface/DIN Rail Mount Kit	FM-SU
Flush Mount Kit	FM-FU
Clear Dust Cover for Panel Mount Timers	DC-FME

SPECIFIERS GUIDE

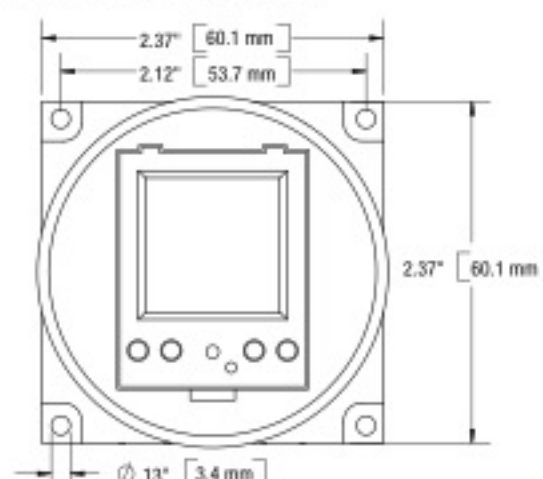
Furnish and install a Grässlin FM1D20____ 24-Hour/7-Day Electronic Time Switch. This 1-circuit control shall have 24-Hour/7-Day programming, 10 ON and 10 OFF setpoint programs, and three preset block programs to allow a selection of any combination of days for different weekday schedules. The LCD shall display time of day in AM/PM or 24-Hour (military time) format. A Daylight Saving Time Adjustment button shall also be provided. The time switch will be programmable to-the-minute and also offer a manual override for temporary ON/OFF to the next scheduled event. The LCD shall provide load status indication. The SPDT relay output will be rated for 16 A Resistive @277 VAC. Reserve carry-over of 7 years (non-replaceable, non-rechargeable battery). The time switch shall be _____ (Panel), (Surface/DIN Rail) or (Flush) Mountable.



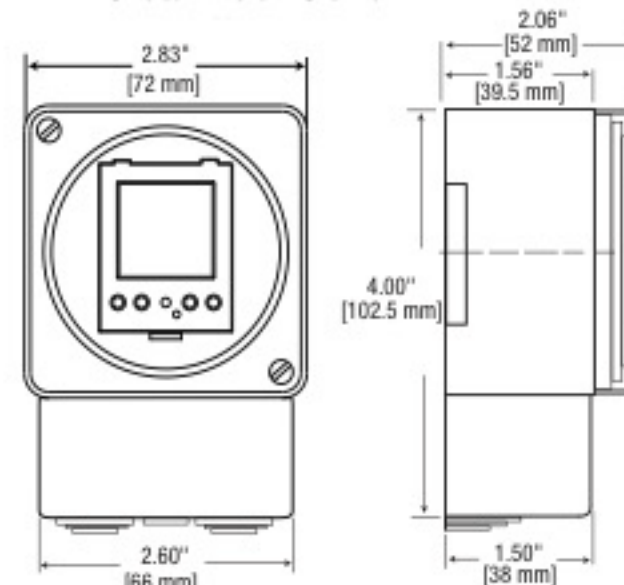
FM1D20

Dimensions

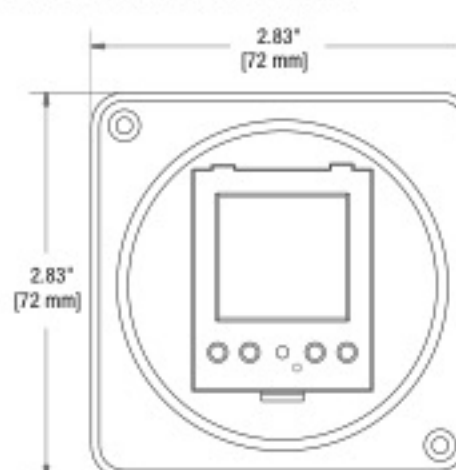
FM1D20 Panel Mount



FM1D20A Surface/DIN Rail with Clear Dust Cover

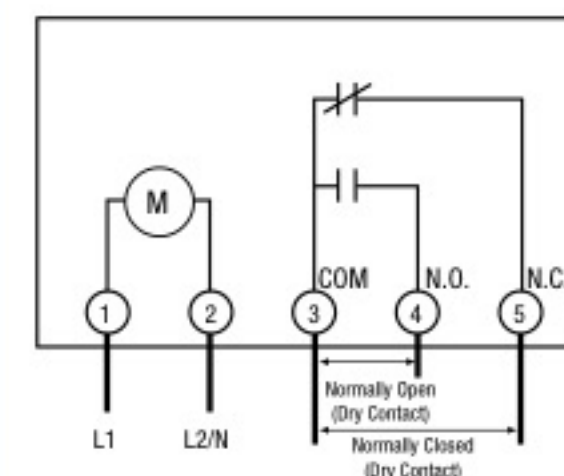


FM1D20E Flush Mount with Clear Dust Cover

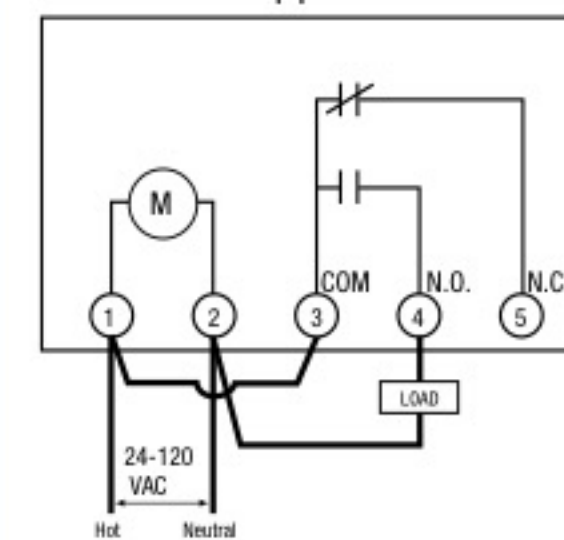


Wiring Diagrams

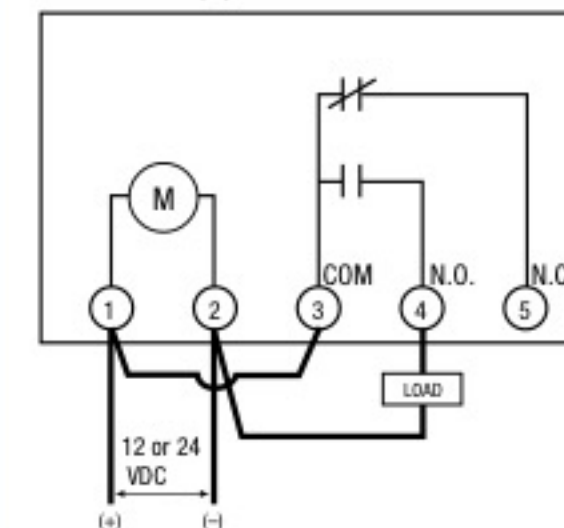
NO/NC Switch Configuration



Typical wiring 24-120 VAC application



Typical wiring 24 VDC application



Ratings	
Supply Voltage	24 VAC/VDC, 120, 240 VAC, 50/60 Hz
Power Consumption	4 VA
Switch Type	SPDT
Contact Ratings (NO)	
Resistive	16 A, 277 VAC
Tungsten	600 W, 120 VAC; 1000 W, 240 VAC
Ballast	12 A, 120 VAC; 8 A, 240 VAC
Pilot Duty	360 VA, 120 VAC; 720 VA, 240 VAC
Motor	½ HP, 120 VAC; 1 HP, 240 VAC
Contact Ratings (NC)	
Resistive	16 A, 277 VAC
Pilot Duty	8 A, 24 VDC 360 VA, 120 VAC
Operating Temperature:	-13° F to 131° F (-25° C to 55° C) Limited display function at -13°
Cut-out Dimensions (Flush) H x W	2 5/8" x 2 5/8" (66 mm x 66 mm)
Wiring Terminals	
FM1D20, FM1D20E	¼" quick connect terminals
FM1D20A	Screw terminals for #24 to #10 AWG Wire
Shipping Weight	.10 lbs (FM1D20A .53 lbs) (FM1D20E .26 lbs)
Warranty	1-year limited



FM1D50

FM1D50 Series

16 A, 1-Circuit Timer Modules

The FM1D50 Series Electronic Time-Based Controls enable switching of ventilation, heating, cooling, lighting or other electrical loads in commercial and industrial applications. These one channel time switches are programmable for 24-hour or 7-day schedules. They are intended for panel, surface, flush, or DIN rail mounting. Flush and surface/DIN rail models (A & E models) are completely enclosed in a plastic housing and include a terminal cover, dust cover and subbase for installation and hard wiring.

Applications

The FM1D50 Series Electronic Time Controls are light duty, commercial time switches ideal for 12, 24, VAC/VDC or 120, 240 VAC single phase applications such as:

- Generator exercising
- Scheduling occupied/unoccupied ventilation system operation
- Parts washer • Commercial refrigeration
- Pumps/motors/fans control • HVAC control circuits
- Photovoltaic control • Landscape lighting • Security gates

Features

- 24-Hour or 7-day applications
- 50 Setpoint programs
- Two preset adjustable block programs
- Easy-to-follow menu driven programming
- Manual override with status indication
- Battery backup
- Large LCD
- Seven available languages: English, German, French, Italian, Spanish, Portuguese, and Dutch
- Auto Daylight Saving Time feature
- A & E Models come with clear dust cover

Mounting	Model	Voltage	Programs
Panel	FM1D50-12U	12 VAC/VDC, 50/60 Hz	50
	FM1D50-24U	24 VAC/VDC, 50/60 Hz	50
	FM1D50-120U	120 VAC, 50/60 Hz	50
	FM1D50-240U	240 VAC, 50/60 Hz	50
Surface/ DIN Rail	FM1D50A-12	12 VAC/VDC, 50/60 Hz	50
	FM1D50A-24	24 VAC/VDC, 50/60 Hz	50
	FM1D50A-120	120 VAC, 50/60 Hz	50
	FM1D50A-240	240 VAC, 50/60 Hz	50
Flush	FM1D50E-12	12 VAC/VDC, 50/60 Hz	50
	FM1D50E-24	24 VAC/VDC, 50/60 Hz	50
	FM1D50E-120	120 VAC, 50/60 Hz	50
	FM1D50E-240	240 VAC, 50/60 Hz	50

Accessories

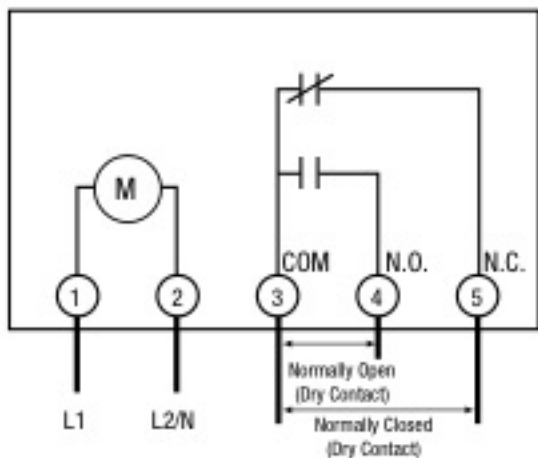
Surface/DIN Rail Mount Kit	FM-SU
Flush Mount Kit	FM-FU
Clear Dust Cover for Panel Mount Timers	DC-FME

SPECIFIERS GUIDE

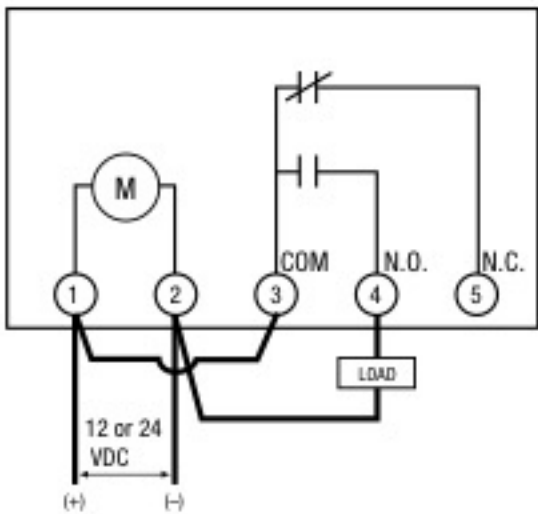
Furnish and install a Grässlin FM1D50___ 24-Hour/7-Day Electronic Time Switch. This 1-circuit control shall have 24-Hour/7-Day programming. The timer shall also offer 25 ON and 25 OFF setpoint programs and include two preset block programs to allow a selection of any combination of days for different weekday schedules. The LCD shall display time-of-day in AM/PM or 24-Hour (military time) format and provide load status indication. Auto Daylight Saving Time Adjustment provided. The time switch will be programmable to-the-minute and also offer a manual override for ON/OFF to the next scheduled event. The SPDT relay output will be rated for 16 A Resistive @ 277 VAC. Reserve carry-over of 3 years (non-replaceable, non-rechargeable battery). The time switch shall be _____ (Panel) (Surface/DIN Rail) or (Flush) Mountable.

Wiring Diagrams

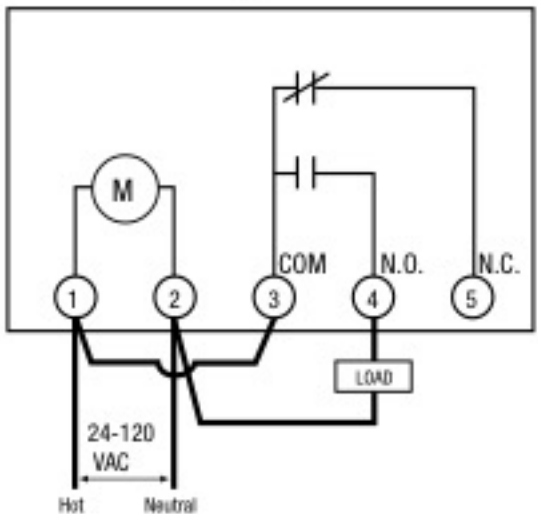
NO/NC Switching Configuration



Typical wiring 12 - 24 VDC application

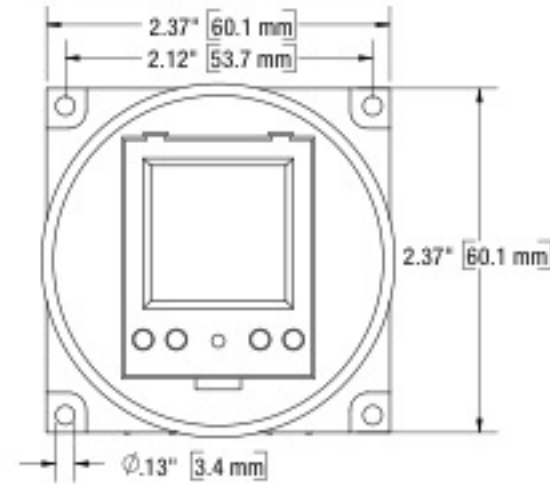


Typical wiring 24-120 VAC application

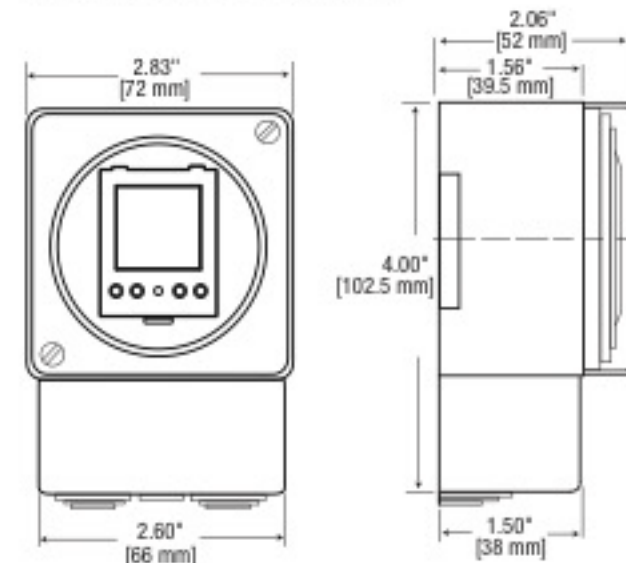


Dimensions

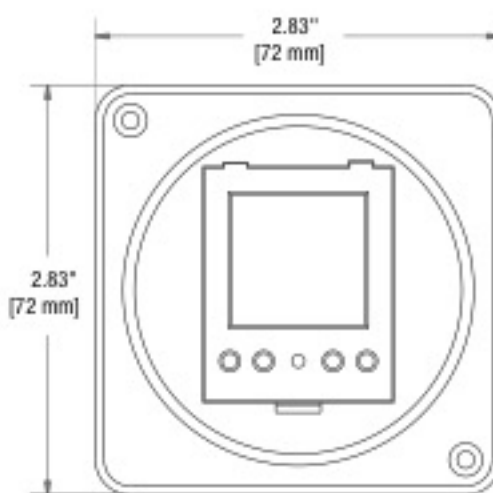
FM1D50 Panel Mount



FM1D50A Surface/DIN Rail with Clear Dust Cover



FM1D50E Flush Mount with Clear Dust Cover



Ratings:	
Supply Voltage	12, 24 VAC/VDC, 120, 240 VAC, 50/60 Hz
Power Consumption	4 VA
Switch Type	SPDT
Contact Ratings (NO)	
Resistive	16 A, 277 VAC
Tungsten	600 W, 120 VAC; 1000 W, 240 VAC
Ballast	12 A, 120 VAC; 8 A, 240 VAC
Pilot Duty	360 VA, 120 VAC; 720 VA, 240 VAC
Motor	½ HP, 120 VAC; 1 HP, 240 VAC
Contact Ratings (NC)	
Resistive	16 A, 277 VAC
Pilot Duty	8 A, 24 VDC; 360 VA, 120 VAC
Operating Temperature	-13° F to 131° F (-25° C to 55° C) Limited display function at -13°F
Cut-out Dimensions (Flush) H x W	2 5/8" x 2 5/8" (66 mm x 66 mm)
Wiring Terminals	
FM1D50, FM1D50E	¼" quick connect terminals
FM1D50A	Screw terminals for #24 to #10 AWG Wire
Shipping Weight	.10 lbs. (FM1D50A .53 lbs) (FM1D50E .26 lbs)
Warranty	1-year limited

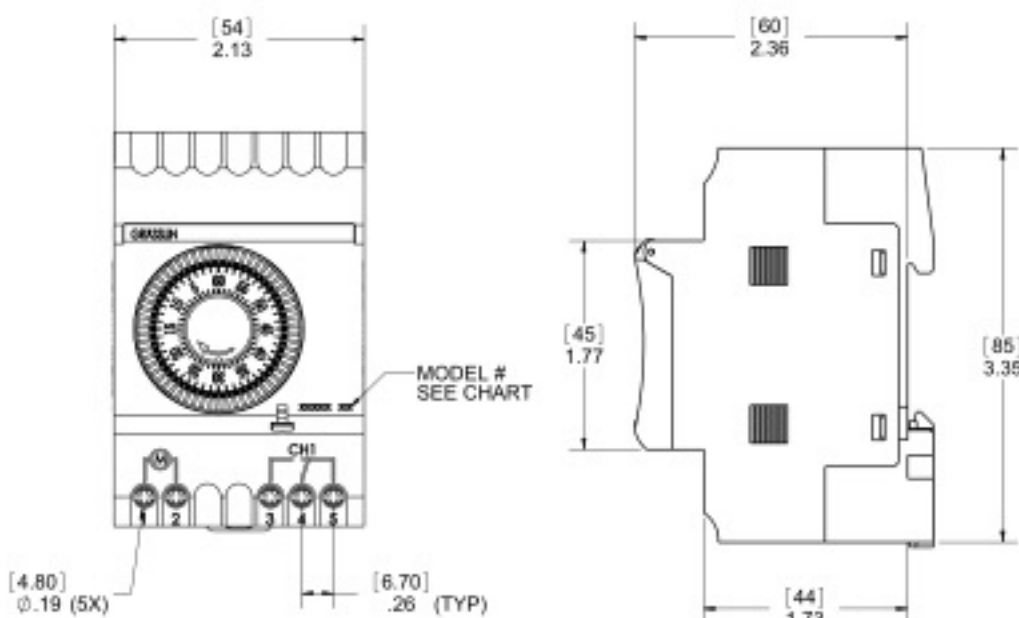
Grässlin Mechanical Time Switches

Cycle Timer Modules

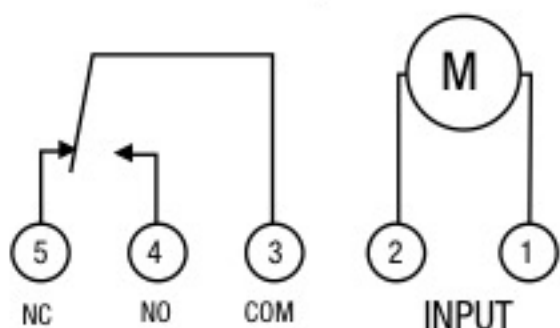


TALENTO121-120

Dimensions



Switch Configuration



Talento 121 Series

16 A, 1-Hour Repeat Cycle Time Switch

The Talento 121 is a synchronous motor driven electromechanical one-hour time switch intended as a low-cost repeat cycle timer for industrial processes and other applications. It provides continuous ON/OFF cycling of a load in a pattern which will repeat every hour. Captive trippers allow setting up to 24 ON and 24 OFF times in 1.25-minute increments over a one-hour period. It may be used in conjunction with a Grässlin 24-hour or 7-day Time Switch to provide repeat cycle timed switching only during selected periods of the day or week. It may be DIN rail mounted, or mounted in a Grässlin indoor or outdoor enclosure.

Features

- 1.25 minute resolution
- Up to 24 ON/OFF times per hour
- Captive trippers
- SPDT 16 A switch
- DIN rail or enclosure mounting
- 3-Way override



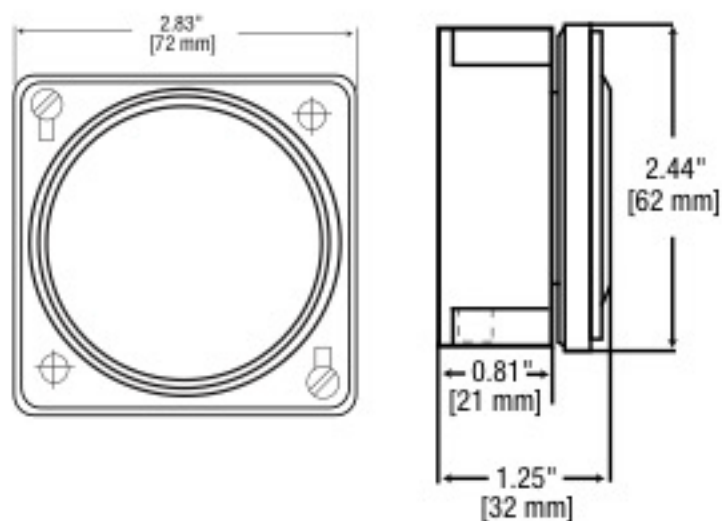
Ratings	
Supply Voltage	120, 208-240 VAC, 60 Hz
Switch Type	SPDT, Isolated Contacts
Resistive	16 A, 125-250 VAC, 60 Hz
Tungsten	750 W, 250 VAC, 60 Hz
Operating Temperature	-13° F to 130° F (-25° C to 55° C)
Operating Humidity	0 to 95% RH, non-condensing
Dimensions H x W x D	3.35" x 2.13" x 2.36" (8.5 mm x 5.4 mm x 6.0 mm)
Wiring Connections	Screw terminals for up to #12 AWG wire
Ship Weight	.66 lbs (.29 kg)
Warranty	1-year limited

Model #	Input Voltage	Mounting	Total Cycle Time	Timing Interval per Tripper
TALENTO121-120	120 VAC, 60 Hz	DIN Rail	1-Hr	1.25-Min
TALENTO121-240	208-240 VAC, 60 Hz	DIN Rail	1-Hr	1.25-Min
GMX121-0-120	120 VAC, 60 Hz	Type 3R Enclosure	1-Hr	1.25-Min

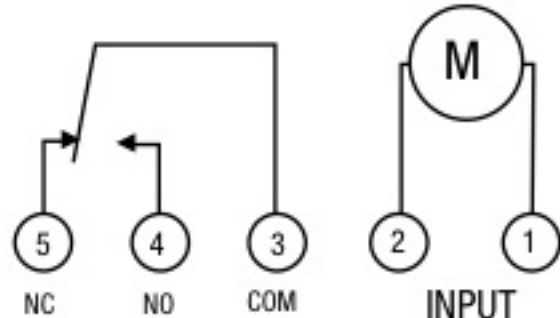


FM1S12HU-120U

Dimensions



Switch Configuration



FM1S12HU-120U

21 A, 12-Hour Repeat Cycle Time Switch

The FM1S12HU-120U is a synchronous motor driven electromechanical 12-hour time switch intended as a low cost repeat cycle timer for industrial processes and other applications. It provides continuous ON/OFF cycling in a pattern which will repeat every 12 hours. Captive trippers allow setting up to 48 ON and 48 OFF times in 7.5 minute increments over a 12-hour period.

Features

- 21 A SPDT switch
- Captive trippers enable up to 48 ON and 48 OFF times in 7.5-minute intervals
- Panel mount



Ratings	
Supply Voltage	120 VAC, 60 Hz
Power Consumption	1 VA
Switch Rating	SPDT
Resistive	21 A, 250 VAC
Inductive	1 HP, 125 VAC; 2 HP, 240 VAC
Tungsten	1350 W, 120 VAC
Dimensions H x W	2.60" x 2.83" (66 mm x 72 mm)
Wiring Connections	¼" quick-connects
Shipping Weight	.15 lbs (.07 kg)
Warranty	1-year limited

Model #	Input Voltage	Total Cycle Time	Timing Interval per Tripper
FM1S12HU-120U	120 VAC, 60 Hz	12-Hr	7.5-Min

Accessories

Clear Dustcover	DC-FME-A
Surface/DIN Rail Mount	FM-SU
Flush Mount Kit	FM-FU
Outdoor Enclosure	E200
Indoor Enclosure	E150

FM1 Series

21 A, 1-Circuit, Panel Mount Timer Modules

The FM1 Series Timer Modules are designed to be integrated inside of a machine control panel, circuit board, or other equipment. They are a simple and low cost alternative for applications that do not require more than 21 A or 2 HP, 240 VAC. The FM1 is designed for 24-hour or 7-day control or overriding a functional typical state of a heating, ventilation, refrigeration, lighting, security, or pump system. The FM1 series is ideal for 12, 24 VAC/VDC, 120 or 208/240VAC single-phase general applications.

Applications

- Commercial refrigeration • Pool & Spa • Ventilation
- Hot water pump circulation • Hydroponic systems
- Lighting panel control • Landscape lighting
- Bug and pest control systems • Aerobic waste water systems

Features

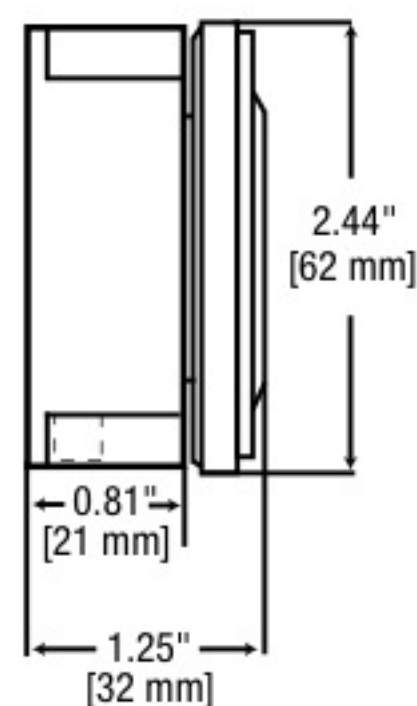
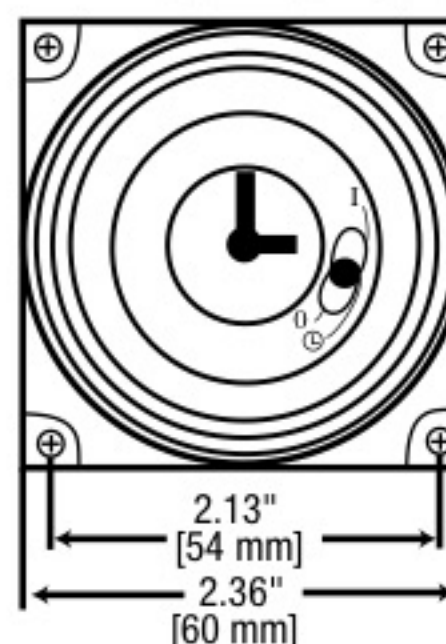
- 21 A SPDT Switch
- Captive trippers with 15-minute intervals on 24-hour models and 2-hour intervals on 7-day models
- 7-Day carry-over battery backup on Q models
- Noise immune – ideal for robust applications
- Synchronous drive or quartz drive Q models with self-recharging battery backup
- True clock face, easy-to-set
- Available with or without override
- Compact size
- Clear plastic cover (DC-FME-A), sold separately below
- Standalone or with indoor/outdoor enclosure, sold separately below



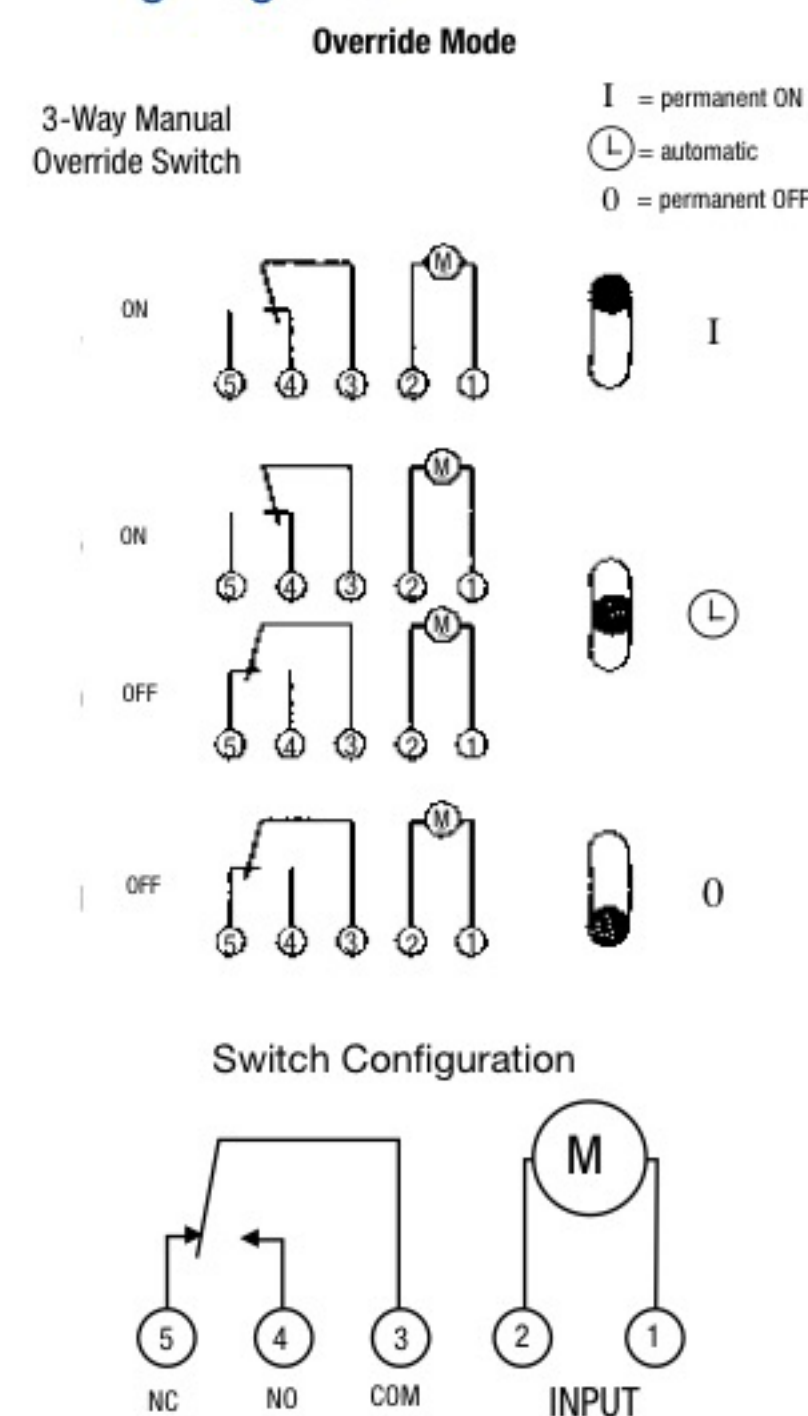
FM1STUZH

Dimensions

FM1 Panel Mount Series



Wiring Diagrams



Model # Synchronous	Model # Quartz w/ Battery Backup	Voltage	Override	MIN ON/OFF Time
24-Hour				
FM1STUZ-24U	FM1QTUZ-24U*	24 VAC, 60 Hz	No	15-Min
FM1STUZ-120U	FM1QTUZ-120U*	120 VAC, 60 Hz	No	
FM1STUZ-240U	FM1QTUZ-240U*	208/240 VAC, 60 Hz	No	
FM1STUZ220/50	–	220, 50 Hz	No	
FM1STUZH-24U	FM1QTUZH-24U*	24 VAC, 60 Hz	Yes	
FM1STUZH-120U	FM1QTUZH-120U*	120 VAC, 60 Hz	Yes	
FM1STUZH-240U	–	208/240 VAC, 60 Hz	Yes	
FM1STUZH220/50	–	220, 50 Hz	Yes	
7-Day				
FM1SWUZ-24U	–	24 VAC, 60 Hz	No	2-Hr
FM1SWUZ -120U	FM1QWUZ-120U*	120 VAC, 60 Hz	No	
FM1SWUZ -240U	FM1QWUZ-240U*	208/240 VAC, 60 Hz	No	
FM1SWUZH-24U	–	24 VAC, 60 Hz	Yes	
FM1SWUZH -120U	FM1QWUZH-120U*	120 VAC, 60 Hz	Yes	
FM1SWUZH -240U	FM1QWUZH-240U*	208/240 VAC, 60 Hz	Yes	

*Quartz models operate at 12-24 VDC/VAC, 120, or 208/240 VAC and are Title 20 listed.



Ratings	
Supply Voltage	24, 120, 208/240 VAC, 60 Hz; 220, 50 Hz
Quartz Models	12, 24 VAC/VDC, 120, 208/240 VAC, 50/60 Hz
Power Consumption	1 VA
Switch Type	SPDT
Resistive	21 A, 120-250 VAC
Tungsten	1350 W, 120 VAC
Motor	1 HP, 120 VAC; 2 HP, 250 VAC
Operating Temperature	-40° F to 185° F (-40° C to 85° C) -4° F to 131° F (-20° C to 55° C) with battery backup
Battery Backup Option	7-Day carry-over Q Models
Dimensions H x W x D	2.36" x 2.36" x 1.25" (60 mm x 60 mm x 32 mm)
Wiring Terminals	¼" quick connect terminals
Shipping Weight	.15 lbs. (.07 kg)
Warranty	1-year limited

Accessories

Clear Dust Cover	DC-FME-A
Surface/DIN Rail Mount	FM-SU
Flush Mount Kit	FM-FU
Outdoor Enclosure	E200
Indoor Enclosure	E150

SPECIFIERS GUIDE

Furnish and install a Grässlin FM1 _____ (24-Hour) (7-Day) Timer Module with _____ (15-Minute) (2-Hour) interval captive trippers and _____ (Quartz) (Synchronous) drive. Input voltage shall be _____ (12) (24) VDC, (12) (24) (120) (220) (208/240) VAC, and SPDT switch contacts shall be rated at: • 21 A Resistive • 2 HP @ 250 VAC

To set the starting time and to provide time indication, the unit shall incorporate an authentic clock face. For override, the timer module shall contain a 3-way ON/OFF/AUTO switch. For carry-over, the timer module shall have a quartz drive with 7-day reserve carry-over from a self-recharging battery. Installation for panel mounting.

Enclosures and Accessories

Accessories

Model #	Description
HVAC Power Protection	
22--00091	Compressor Defender™ Mounting Bracket
Defrost Time Controls/HVAC/R	
DT-B	Defrost Timer Bracket
156--01318A	DTAV40 Plate Assembly
Electronic Controls	
101--00040	Battery Holder for ET100
176ET17A	120 VAC Surge Suppressor
6ET1398GA	Flush Mount Door Assembly with Lock
NOISEFILTER	Noise Filter
ET-NF	Noise Filter for Electronic Controls
22T338GR	Mounting Bracket for ET90115, ET90215, ET1100, ET1700, ET8000, ET2100, ET2700 and ET2800 Series Electronic Controls
ET9100	ET90415-ET91615 Replacement Door Assembly
ET9232	Ethernet Module for ET90000 Upgrade or Replacement
ET9250	4-Circuit Relay Board for Upgrade or Replacement of ET90415CR-ET91615CR Panels
124--00101	Insulator for ET Series controls (ET1100, ET1700, ET8000, ET2100, ET2700, ET2800 Series)
ET9500	BEMS Interface Box for ET90000 Series
Grässlin Time Controls	
24--00109	Wall Plate for KM2ST-1G or KM2STU-1G, Single Gang, White
24--00046	Wall Plate for KM2ST-2D, 2 Gang (Timer and Decorator Switch), White
24--00041	Wall Plate for KM2ST-2G, 2 Gang (Timer and Toggle Switch), White
24--00045	Wall Plate for KM2ST-2R, 2 Gang (Timer and Receptacle), White
24--00051	Wall Plate for KM2ST-3D, 3 Gang (Timer and 2 Decorator Switches), White
24--00042	Wall Plate for KM2ST-3G, 3 Gang (Timer and 2 Toggle Switches), White
24--00043	Wall Plate for KM2ST-4G, 4 Gang (Timer and 3 Toggle Switches), White
DC-FME	Clear Dust Cover for Mechanical Panel Mount Timers
DC-FME-A	Clear Dust Cover for Electronic Panel Mount Timers
FM-FU	FM1 Flush Mount Housing Kit
FM-SU	FM1 Surface/DIN Rail Kit
180-0014	FM1 Housing Terminal Base
Grässlin Hour Meters	
691	Housing Base for UWZ48 Surface Mount
G-53U	FWZ53 Flush Mount Gasket
BEZ55-GRAYU	55 mm Gray Bezel for UWZ48E
BEZ55-BLACKU	55 mm Black Bezel for UWZ48E
BEZ72U	72 mm Gray Bezel for UWZ48E
BEZ72PU	72 mm Bezel with 3 Pins for Round 3-Bolt Hole Opening for UWZ48E

MB-48V	DIN Rail Mounting Base for UWZ48E
Model #	Description
LightMaster™ Lighting Control System	
LS1	Transparent Sensor 0.2 to 50 fc
LS2	Dark Sensor 10 to 1000 fc
PC1-120	1-Circuit Control Unit 120 VAC
PC2-120	2-Circuit Control Unit 120 VAC
Mechanical Time Switches	
107T119	Tripper (Silver) for T8800 and R8800 Series (Day Skipper)
107T73	Replacement Day Wheel Pins (These go into the actual Day Wheel)
119T85	24 VAC, 20 VA (S) Transformer
119T86A	24 VAC Transformer for T8845PV
124T1948	Insulator for Single Pole Time Switch (T101, T102, T171, T172)
124T1949	Insulator for Double Pole Time Switch (T103, T104, T105, T173, T174, T175, T176, T185, WH40)
124T1952	Insulator for Double Pole Time Switch (T103, T104, T105, T173, T174, T175, T176, T185, WH40)
124T1953	Insulator for 4PST Time Switch
124T1954	Insulator for T101B with Independent Motor Wiring
124T2058	Insulator for T1905, T1906, T2006, T2005, C8815, C8825, C8835, C8845, C8855, C8865, C8866
124T2097	Insulator for R8806P101C, T8805P101C, T8845PV
124T2098	Insulator for WH21
124T2375	Insulator for T30004R30
124T905	Insulator for T1905HDM, T1975EHDM, T1975HD, T1976, T1975, T1975ER, T1905
124T907A	Insulator Assembly (S001)
130T1042	Grounding Terminal Bar
131T68GA	125 VAC, 60 Hz Motor and Carry-over for T7400BC and T800BC Series
133T698A	Replacement Snap Switch for T1970 Series
133T700A	Micro Switch for T8800 and R8800 Series
133T701A	Replacement Snap Switch for T1900 and T2000 Series
133T773A	Replacement Snap Switch for C8800 Series
143T138	Relay Kit, DPST, 3 HP, 240 VAC (S)
143T302A	Relay Kit, Assembly (S001)
143T304	Relay Kit, DPST, 3 HP, 120 VAC (S)
146T400	Knob-Switch (S)
156T1948A	Trippers for T170, T1400, T1800 Series Includes 1 ON, 1 OFF, and 1 ON with Skipper Extension
156T1949A	Tripper for T185 (Variable 10 to 60 Minute Interval)
156T1950A	Set of 12 Trippers for T1900, T2000, C8800, R8800 and T8800 Series
156T1950AD12	12 Bags of 156T1950A Trippers for T1900, T2000, C8800, R8800, and T8800 Series
156T1954A	14 Skipper Pins for R8800, and T8800 Series