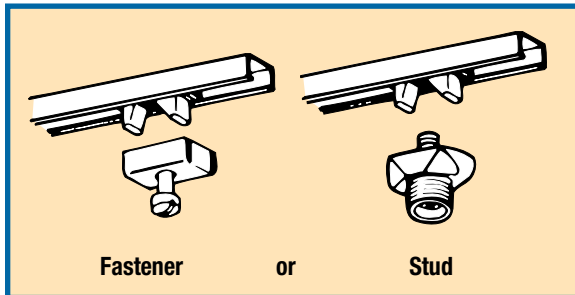


Box Hangers and Supports

Adjustable Bar Hangers for Plaster and Drywall

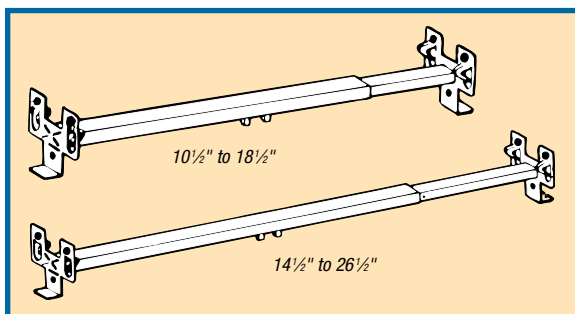
Packaged complete with either...



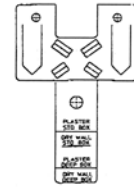
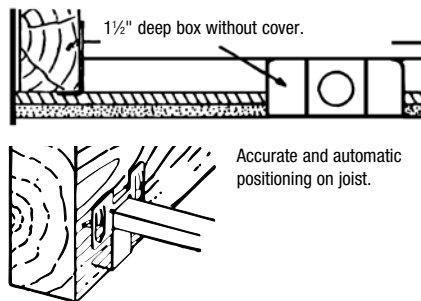
Ease of Installation:

Claws provide temporary support for proper positioning until permanently installed.

Two adjustable lengths:

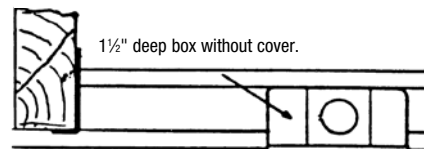


1/2", 3/4", 7/8" Lath and Plaster



Endplate locator tab is scored and marked for lath and plaster drywall applications with standard and deep boxes.

3/8", 1/2", 5/8" Drywall Board



Foot straightened gauges for 1/2"-deep box with cover or 2 1/8"-deep box without cover. With foot broken off gauges for shallow pan box.



CAT. NO.	DEPTH OF END PLATE (IN.)	BR LENGTH (IN.)	STUD OR FASTENER	STD. CTN.
<i>For 3/8", 1/2" and 5/8" Wall Board and Plaster — 50 lb. Max. Load Rating</i>				
6010DW-25	13/16	10 1/2–18 1/2	Stud	25
6010ADW-25	13/16	14 1/2–26 1/2	Stud	25
6011DW-25	13/16	10 1/2–18 1/2	Fastener	25
6011ADW-25	13/16	14 1/2–26 1/2	Fastener	25

*Score marks for drywall and plaster depths.