

# SLUG-BUSTER® HYDRAULIC KNOCKOUT KITS

## Slug-Buster® Ram and Hand Pump Kits (Inch and Metric)



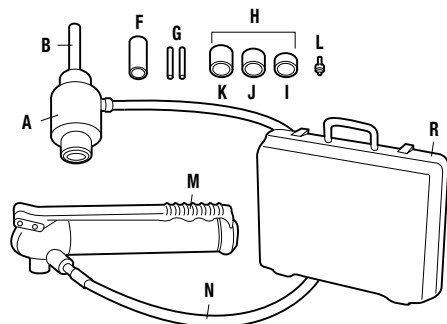
- Fast, easy and simple to operate.
- Compact design for field use on construction sites and maintenance jobs.
- Punches 10 times faster than wrench method.
- Will also drive 751 Cable Cutter head.
- Can be used with most standard round Slug-Buster® and Slug-Splitter SC™ punches (not 1/2", 9/16", 5/8").
- Can be used with non-round punches (adapter may be required).
- 3-foot hose
- Powerful 11-ton hydraulic ram.

CAT NO.	UPC NO.	DESCRIPTION	WEIGHT	
			LBS.	KG.
7646	15906	Driver with Hand Pump, Draw Studs, Spacer and Plastic Case	20	9.1
7306SB	34360	Driver, Hand Pump, Slug-Buster® Punches, Dies and Draw Studs for 1/2" through 2" Conduit, Adapter, Spacers, Kwik Stepper® Step Bit and Plastic Case	24	10.9
7310SB	34361	Driver, Hand Pump, Slug-Buster® Punches, Dies and Draw Studs for 1/2" through 2" and 2-1/2" through 4" Standard Conduit Size Punches, Dies and Draw Studs, Adapter, Spacers, Kwik Stepper® Step Bit and Plastic Case	54	24.5
7646Pg-SB	32799	Metric – Driver, Slug-Buster® Pg Punches, Dies and Draw Studs for 15.2 mm through 60.0 mm, Adapter, Spacers, Kwik Stepper® Step Bit and Plastic Case	24	10.9
38520	38520	Driver, Hand Pump, Slug-Buster® Punches and Draw Studs for 1/2" through 3" and 4" Conduit, Adapter, Spacers, Kwik Stepper® Step Bit and Plastic Case	48	21.8

**STEEL CAPACITIES FOR CONDUIT SIZES**

REQUIRED DRAW STUD AND ACCESSORIES	STANDARD PUNCHES AND SLUG-BUSTER®									
	1/2"	3/4"	1"	1-1/4"	1-1/2"	2"	2-1/2"	3"	3-1/2"	4"
3/4" Stud (2113B), 3/8" Stud (20963) & Spacers										
3/4" Stud (2113B), Long Spacer										
3/4" Stud (2113B), Short Spacer										
3/4" Stud (2113B)										
3/4" Stud (2113B), & Sleeve (03170)										

10 GA. MILD STEEL



**RAM AND HAND PUMP HYDRAULIC DRIVER PARTS IDENTIFICATION**

KEY	CAT. NO.	UPC NO.	DESCRIPTION	
	A	746	17091	Ram (includes Item B)
	B	2113B	10109	Draw Stud-3/4" x 5 3/8"
	F	1557AA	03170	Punch Sleeve
	G	20963	20963	Draw Stud-3/8" x 4.8"
	H	15908		Spacer Group (includes Items I, J and K)
	I	1924AA	03248	Spacer-Short
	J	1925AA	03249	Spacer-Medium
	K	1926AA	06904	Spacer-Long
	L	34410		Kwik Stepper® Step Bit 1/2"
	M	767	13284	Hydraulic Hand Pump
	N	06302	06302	High Pressure Hose-1/4" x 3'
	R	30206		Plastic Case

# Slug-Buster® Ram and Hand Pump Kits Parts List

CAT NO.	UPC NO.	DESCRIPTION	HOLE SIZE				KIT CAT./UPC NO.				
			CONDUIT & PIPE SIZE	ACTUAL		7646/15906	7306SB/34360	7310SB/34361	7646PGSB/32799	38520	
				Ø INCH	Ø MM						
721-1/2	31756	1/2" Conduit Size Slug-Buster® Punch	1/2"	7/8	0.885	22.5		1	1	1	1
14722	14722	1/2" Conduit Size Die	1/2"	7/8	0.885	22.5		1	1	1	1
721-3/4	31757	3/4" Conduit Size Slug-Buster® Punch	3/4"	—	1.115	28.3		1	1		1
124AV	06972	3/4" Conduit Size Die	3/4"	—	1.115	28.3		1	1		1
721-1	31758	1" Conduit Size Slug-Buster® Punch	1"	—	1.362	34.6		1	1		1
126AV	04011	1" Conduit Size Die	1"	—	1.362	34.6		1	1		1
721-1-1/4	31759	1-1/4" Conduit Size Slug-Buster® Punch	1-1/4"	1-11/16	1.701	43.2		1	1		1
128AV	04013	1-1/4" Conduit Size Die	1-1/4"	1-11/16	1.701	43.2		1	1		1
721-1-1/2	31760	1-1/2" Conduit Size Slug-Buster® Punch	1-1/2"	1-15/16	1.951	49.6		1	1		1
440AV	04061	1-1/2" Conduit Size Die	1-1/2"	1-15/16	1.951	49.6		1	1		1
721-2	31761	2" Conduit Size Slug-Buster® Punch	2"	2-3/8	2.416	61.5		1	1		1
442AV	04063	2" Conduit Size Die	2"	2-3/8	2.416	61.5		1	1		1
1429AV	04175	2-1/2" Conduit Size Punch	2-1/2"	2-7/8	2.914	74.0			1		1
1430AV	04177	2-1/2" Conduit Size Die	2-1/2"	2-7/8	2.914	74.0			1		1
1431AV	04180	3" Conduit Size Punch	3"	3-1/2	3.539	89.9			1		1
1432AV	04183	3" Conduit Size Die	3"	3-1/2	3.539	89.9			1		1
2982AV	04653	3-1/2" Conduit Size Punch	3-1/2"	4	4.044	102.7			1		
2981AV	04652	3-1/2" Conduit Size Die	3-1/2"	4	4.044	102.7			1		
2984AV	04655	4" Conduit Size Punch	4"	4-1/2	4.544	115.4			1		1
2983AV	04654	4" Conduit Size Die	4"	4-1/2	4.544	115.4			1		1
31969	31969	Pg-9 Slug-Buster® Punch	—	—	0.598	15.2				1	
32002	32002	Pg-9 Die	—	—	0.598	15.2				1	
31970	31970	Pg-11 Slug-Buster® Punch	—	—	0.732	18.6				1	
32003	32003	Pg-11 Die	—	—	0.732	18.6				1	
31971	31971	Pg-13 Slug-Buster® Punch	—	—	0.803	20.4				1	
32004	32004	Pg-13 Die	—	—	0.803	20.4				1	
31973	31973	Pg-21 Slug-Buster® Punch	3/4"	—	1.115	28.3				1	
32006	32006	Pg-21 Die	3/4"	—	1.115	28.3				1	
36284	36284	Slug-Buster® Punch	—	1-7/32	1.210	30.5				1	
36279	36279	Die	—	1-7/32	1.210	30.5				1	
31975	31975	Pg-29 Slug-Buster® Punch	—	—	1.457	37.0				1	
32008	32008	Pg-29 Die	—	—	1.457	37.0				1	
31976	31976	Pg-36 Slug-Buster® Punch	—	—	1.850	47.0				1	
32009	32009	Pg-36 Die	—	—	1.850	47.0				1	
31978	31978	Pg-48 Slug-Buster® Punch	—	—	2.362	60.0				1	
32011	32011	Pg-48 Die	—	—	2.362	60.0				1	
746	17091	Ram (includes following item)					1	1	1	1	1
2113B	10109	Draw Stud-3/4" x 5 3/8"					1	1	1	1	1
1557AA	03170	Punch Sleeve					1	1	1	1	1
20963	20963	Draw stud-3/8" x 4.8"					1	1	1	1	1
15908	15908	Spacer Group (includes 1 ea. of following 3 items)					1	1	1	1	1
1924AA	03248	Spacer-Short					1	1	1	1	1
1925AA	03249	Spacer-Medium					1	1	1	1	1
1926AA	06904	Spacer-Long					1	1	1	1	1
34410	34410	Kwik Stepper® Step Bit 1/2"					1	1	1	1	1
767	13284	Hydraulic Hand Pump					1	1	1	1	1
06302	06302	High Pressure Hose – 1/4" x 3'					1	1	1	1	
30206	30206	Plastic Case					1	1		1	
18402	18402	Steel case							1		1
25094	25094	Tray							1		

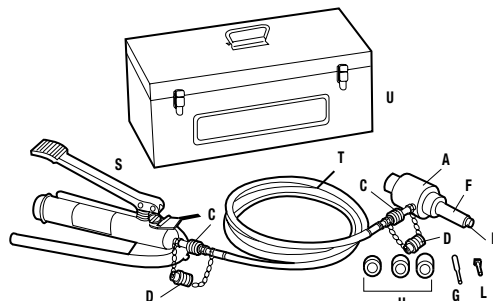
PUNCHES AND DIES

DRAW STUDS AND MISC.

## Ram and Foot Pump Kits Parts List

CAT NO.	UPC NO.	DESCRIPTION	HOLE SIZE				KIT CAT./UPC NO.			
			CONDUIT & PIPE SIZE	ACTUAL		7625/ 25097	7606SB/ 07173	7610SB/ 07174		
				Ø INCH	Ø MM					
PUNCHES AND DIES	721-1/2	31756	1/2" Conduit Size Slug-Buster® Punch	1/2"	7/8	0.885	22.5		1	1
	14722	14722	1/2" Conduit Size Die	1/2"	7/8	0.885	22.5		1	1
	721-3/4	31757	3/4" Conduit Size Slug-Buster® Punch	3/4"	—	1.115	28.3		1	1
	124AV	06972	3/4" Conduit Size Die	3/4"	—	1.115	28.3		1	1
	721-1	31758	1" Conduit Size Slug-Buster® Punch	1"	—	1.362	34.6		1	1
	126AV	04011	1" Conduit Size Die	1"	—	1.362	34.6		1	1
	721-1-1/4	31759	1-1/4" Conduit Size Slug-Buster® Punch	1-1/4"	1-11/16	1.701	43.2		1	1
	128AV	04013	1-1/4" Conduit Size Die	1-1/4"	1-11/16	1.701	43.2		1	1
	721-1-1/2	31760	1-1/2" Conduit Size Slug-Buster® Punch	1-1/2"	1-15/16	1.951	49.6		1	1
	440AV	04061	1-1/2" Conduit Size Die	1-1/2"	1-15/16	1.951	49.6		1	1
	721-2	31761	2" Conduit Size Slug-Buster® Punch	2"	2-3/8	2.416	61.5		1	1
	442AV	04063	2" Conduit Size Die	2"	2-3/8	2.416	61.5		1	1
	1429AV	04175	2-1/2" Conduit Size Punch	2-1/2"	2-7/8	2.914	74.0			1
	1430AV	04177	2-1/2" Conduit Size Die	2-1/2"	2-7/8	2.914	74.0			1
	1431AV	04180	3" Conduit Size Punch	3"	3-1/2	3.539	89.9			1
	1432AV	04183	3" Conduit Size Die	3"	3-1/2	3.539	89.9			1
	2982AV	04653	3-1/2" Conduit Size Punch	3-1/2"	4	4.044	102.7			1
	2981AV	04652	3-1/2" Conduit Size Die	3-1/2"	4	4.044	102.7			1
2984AV	04655	4" Conduit Size Punch	4"	4-1/2	4.544	115.4			1	
2983AV	04654	4" Conduit Size Die	4"	4-1/2	4.544	115.4			1	
DRAW STUDS AND MISC.	746	17091	(A) Ram (includes 1 ea. of items B, C, and D)					1	1	1
	2113B	10109	(B) Draw Stud—3/4" x 5 3/8"					1	1	1
	54167	54167	(C) Female Coupler—1/4"					1	1	1
	54168	54168	(D) Dust Plug					1	1	1
	1557AA	03170	(F) Punch Sleeve					1	1	1
	20963	20963	(G) Draw stud—3/8" x 4.8"					1	1	1
	15908	15908	(H) Spacer Group (includes 1 ea. of items I, J, and K)					1	1	1
	1924AA	03248	(I) Spacer-Short					1	1	1
	1925AA	03249	(J) Spacer-Medium					1	1	1
	1926AA	06904	(K) Spacer-Long					1	1	1
	34410	34410	(L) Kwik Stepper® Step Bit 1/2"					1	1	1
	1725	31353	(S) Hydraulic Foot Pump (includes 1 ea. – 54167 female coupler and 54168 dust plug)					1	1	1
	37729	37729	(T) High Pressure Hose Unit – 1/4" x 10'; filled with hydraulic oil; (includes the following 2 items)					1	1	1
	54169	54169	Couplers					2	2	2
54170	54170	Dust Caps					2	2	2	
23955	23955	(U) Steel case					1	1	1	
25094	25094	Tray					1	1	1	







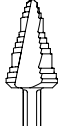

**RAM AND FOOT PUMP HYDRAULIC DRIVER PARTS IDENTIFICATION**  
(Match letters above to drawing.)



Single-hole bits are designed to drill one indicated hole size through a series of steps from bit tip to full size.

Multi-hole bits allow you to drill a hole in any of the stated diameters.

**SIZE**

										<b>METRIC</b>		
		1/2" (12.7 mm)	1/2" (12.7 mm)	1/2" (12.7 mm)	13/16" (20.6 mm)	7/8" (22.2 mm)	7/8" (22.2 mm)	1-1/8" Electrician's Step Bit	1-3/8" (34.9 mm)	9.7 mm (.382")	30.5 mm (1.201")	32.5 mm (1.280")
		Single-Hole Step Bit	Multi-Hole Step Bit	Multi-Hole Step Bit	Multi-Hole Step Bit	Single-Hole Step Bit	Multi-Hole Step Bit	Step Bit	Multi-Hole Step Bit	Multi-Hole Step Bit	Multi-Hole Step Bit	
<b>CAT/UPC NO.</b>												
Inches	mm	34410	34401	36402	30005	34411	34403	30008	36414	36018	36020	36022
1/8	3.2		✓									
5/32"	4.0		✓									
3/16"	4.8		✓	✓	✓		✓					
7/32"	5.6		✓									
1/4"	6.4		✓	✓	✓		✓					
9/32"	7.1		✓									
5/16"	7.9		✓	✓	✓		✓					
11/32"	8.7		✓									
3/8"	9.5		✓	✓	✓		✓					
0.382"	9.7										✓	
13/32"	10.3		✓									
7/16"	11.1		✓	✓	✓		✓					
15/32"	11.9		✓									
0.492"	12.5										✓ Pg-7	
1/2"	12.7	✓	✓	✓	✓		✓	✓				
9/16"	14.3				✓		✓					
0.598"	15.2										✓ Pg-9	
5/8"	15.9				✓		✓					
0.638"	16.2											✓ ISO-16
11/16"	17.5				✓		✓					
0.732"	18.6										✓ Pg-11	
3/4"	19.1				✓		✓					
0.803"	20.4										✓ Pg-13	✓ ISO-20
13/16"	20.6				✓		✓					
7/8"	22.2					✓	✓	✓	✓			
0.886"	22.5										✓ Pg-16	
1.00"	25.4											✓ ISO-25
1.114"	28.3										✓ Pg-21	
1-1/8"	28.6							✓	✓			
1.201"	30.5								✓			
1-7/32"	31.0								✓			
1-1/4"	31.8								✓			
1.280"	32.5											✓ ISO-32
1-3/8"	34.9								✓			
Overall Length		1-7/8" (47.6 mm)	3-3/8" (85.7 mm)	3-7/16" (87.3 mm)	3-7/16" (87.3 mm)	2-7/16" (61.9 mm)	3-9/16" (90.5 mm)	2-15/16" (74.6 mm)	3-1/8" (79.4 mm)	1-7/8" (47.6 mm)	3-3/4" (95.3 mm)	3-3/8" (85.7 mm)
Minimum Chuck Size		3/8" (9.5 mm)	3/8" (9.5 mm)	3/8" (9.5 mm)	3/8" (9.5 mm)	3/8" (9.5 mm)	3/8" (9.5 mm)	3/8" (9.5 mm)	3/8" (9.5 mm)	3/8" (9.5 mm)	3/8" (9.5 mm)	3/8" (9.5 mm)
Maximum Material Thickness		10 gauge (3.5 mm)	10 gauge (3.5 mm)	3/8" (9.5 mm)	10 gauge (3.5 mm)	10 gauge (3.5 mm)	10 gauge (3.5 mm)	10 gauge (3.5 mm)	10 gauge (3.5 mm)	10 gauge (3.5 mm)	1/4" (6.4 mm)	1/4" (6.4 mm)
Bit Extension		901	901	901	901	—	—	—	—	901	—	—