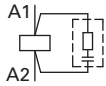


**Suppressors**

XTMCXR\_

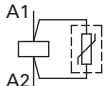
**RC Suppressor** ①

Voltage	For Use with...	Circuit Symbol	Pkg. Qty. ②	Catalog Number
24–48	XTMC6A_ XTMC9A_		10	<b>XTMCXRSW</b>
48–130	XTMC6A_ XTMC9A_		10	<b>XTMCXRSA</b>
110–250	XTMC6A_ XTMC9A_		10	<b>XTMCXRSB</b>

XTMC Relay with  
Installed Suppressor

XTMCX\_

**Varistor Suppressor** ③

Voltage	For Use with...	Circuit Symbol	Pkg. Qty. ②	Catalog Number
24–48	XTMC6A_ XTMC9A_		10	<b>XTMCXVSW</b>
48–130	XTMC6A_ XTMC9A_		10	<b>XTMCXVSA</b>
110–250	XTMC6A_ XTMC9A_		10	<b>XTMCXVSB</b>
380–415	XTMC6A_ XTMC9A_		10	<b>XTMCXVSN</b>

XTMC Relay with  
Installed Suppressor**Mechanical Interlock**

XTMCXML

**Mechanical Interlock**

Description	Pkg. Qty. ②	Catalog Number
Mechanical interlock	5	<b>XTMCXML</b>

**Notes**

For two contactors with AC or DC operated magnet system that are horizontally or vertically mounted, the distance between contactors is 0 mm and the mechanical lifespan is  $2.5 \times 10^6$  operations.

① For AC operated contactors, 50/60 Hz. Note dropout delay.

② Orders must be placed in multiples of package quantity listed.

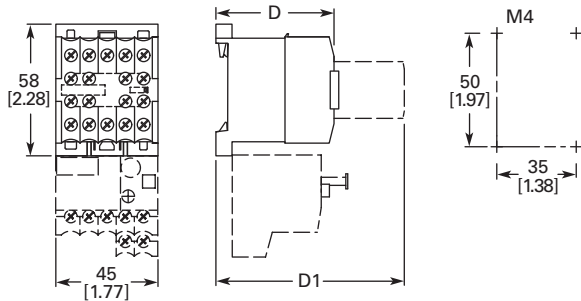
③ For AC operated contactors, 50/60 Hz. DC operated contactors have integrated varistor suppressors.

### 1

### Dimensions

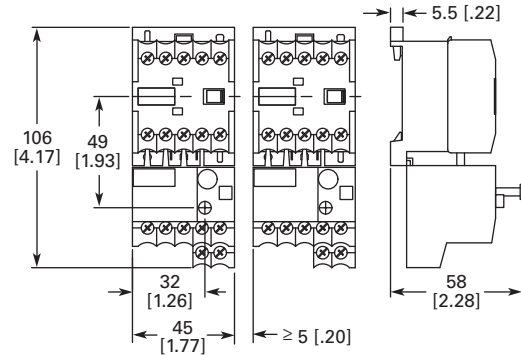
Approximate Dimensions in mm [in.]

#### Non-Reversing Mini Contactor

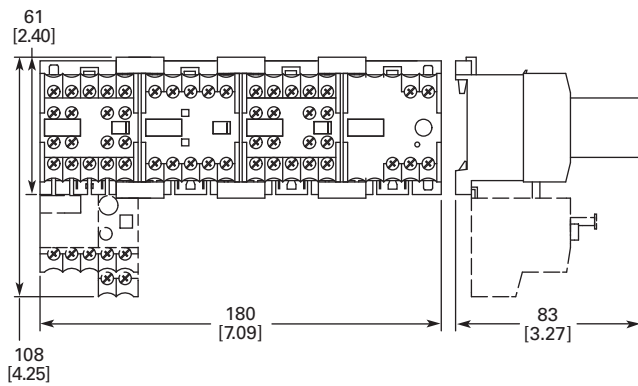


	XTMC	XTMCC
D	52 [2.05]	54 [2.13]
D1	83 [3.27]	86 [3.39]

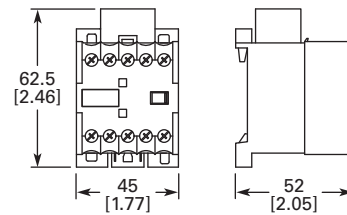
#### Non-Reversing Mini Contactor with Overload Relay



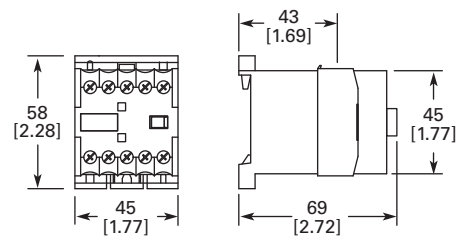
#### Star-Delta Starter Combinations



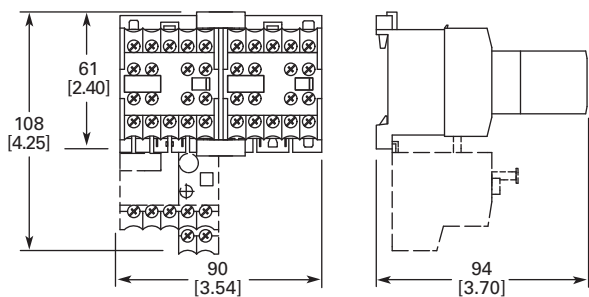
#### XTMCXRSA, XTMCXVSA Mini Suppressors



#### XTMCXTSA Mini Sealable Shroud



#### Reversing Mini Contactor



#### XTMCXML Mechanical Interlock

