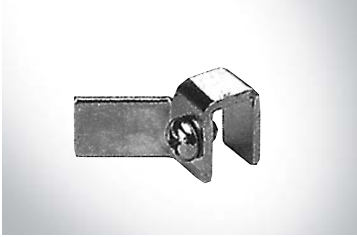


External Accessories



Handle Blocking Device
BQDHBD



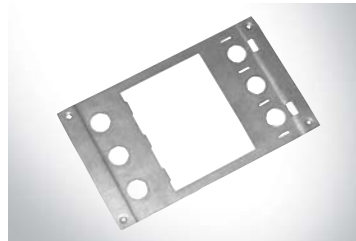
Handle Padlock Device
HPLG
(Use BQDPLD in panelboards)



Mounting Screw Kit
MSKG4



Terminal Shield (3-pole)
TSSG3A Line
TSSG3B Load



Face Mounting Plate
FMPG1 1-pole
FMPG2 2-pole
FMPG3 3-pole



Nut Keeper Plate
TNKG3 (Kit of 3)

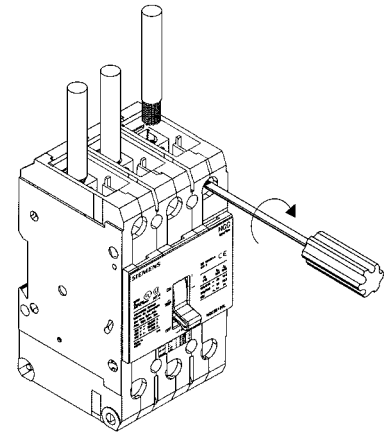
Terminal Connectors

Lug Information for NGG

Breaker Amp Rating (A)	Wire Size (AWG)	Torque Inch-lb. (NM)	Lug Catalog No.
15 – 30	#14 – #10 Al #8 Al	35 (4.0) 40 (4.5)	3TC1Q1 (pkg. of 3)
35 – 125	#8 Al or Cu #3 – 1/0 Cu #6 – #4 Al or Cu #3 – 2/0 Al	40 (4.5) 55 (6.2) 45 (5.1) 55 (6.2)	3TC1GG20 (pkg. of 3)

60/75° C wire

Includes retainer clips



It is possible to remove these terminals of the NGG breaker to allow customer-supplied connections.

Nut Keeper Plates are available instead of lugs for use with customer-supplied connections.