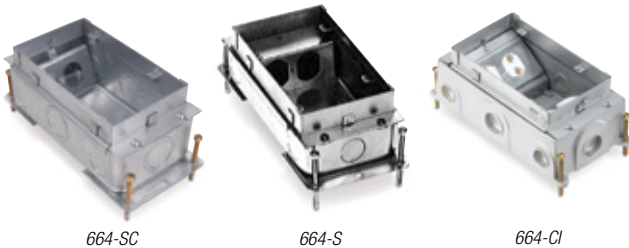
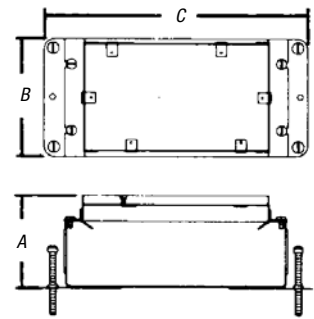


Recessed Service Floor Boxes

Multiple-Service Floor Boxes for Power, Communications and Data: 664 Series

Multiple-service floor boxes deliver power, communications and data from standard conduit with no exposed service fittings. Result: Open office planning flexibility. Ideal for the modern office with workstations that have power, communications and data equipment. Power receptacles and low-voltage connections can be enclosed underfloor in either steel or cast-iron bodies. Galvanized 14-gauge steel boxes are provided with knockouts from 3/4" to 1 1/4" (see engineering data). Cast-iron bodies have threaded openings for 3/4" and 1" conduit.

- Two-compartment box is available in three configurations: stamped steel (664-SC), shallow (664-S) and cast iron (664-CI)
- Durable non-metallic covers include a steel reinforcement plate for added strength
- NEW! Metallic covers in solid brass and aluminum provide aesthetics and durability
- Four leveling screws enable quick leveling to desired concrete depth
- Cover flange self-levels with the finished floor for easy installation



CAT. NO.	DESCRIPTION	STD. CTN.
664-SC	Stamped-Steel Box which Accepts Two Plates, One Duplex Plate Provided	4
664-CI	Cast-Iron Box which Accepts Two Plates, One Duplex Plate Provided	1
664-S	Shallow Stamped-Steel Box which Accepts Two Plates, One Duplex Plate Provided	4

Note: When ordering a 664 Series box, the cover must be ordered separately. See [page A-131](#).

For communications accessories, see [page A-140](#).

Engineering Data for 664 Series

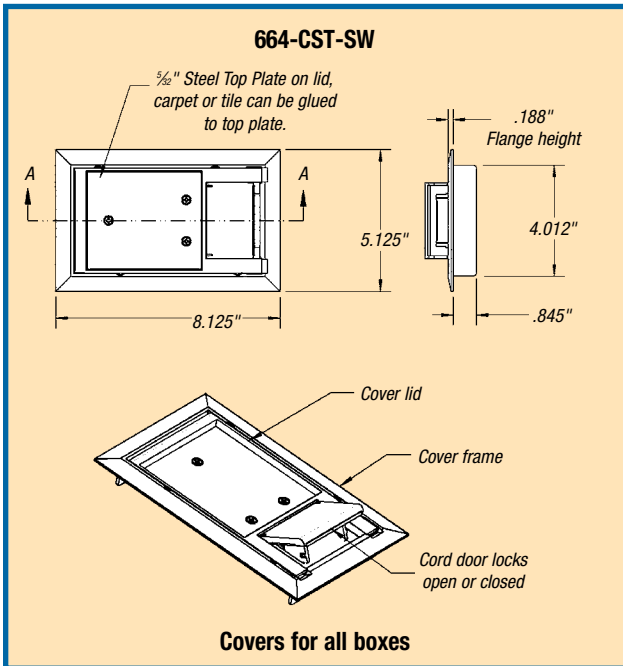
CAT. NO.	DIMENSIONS (IN.)			BEFORE POUR ADJ. (IN.)	AFTER POUR ADJ. (IN.)	MAXIMUM CAPACITY (CU. IN.)	CONDUIT HUBS	CONDUIT KOS		
	A	B	C					SIDES	BOTTOM	COVERS
664-SC	3 3/4	4 11/16	10 1/4	2 1/2	3/4	24 per gang, 90 total	—	(4) 1"–1 1/2" (4) 3/4"	None	664-CST Series
664-CI	3 3/4	5 3/32	9 15/16	2 1/2	3/4	24 per gang, 90 total	(4) 3/4" (4) 1"	—	—	664-CST Series
664-S	2 5/8	4 11/16	10 1/4	1 1/2	3/4	16.5 per gang, 70 total	—	(6) 3/4"	None	664-CST Series

CAUTION: When using the center side KOs, Cat. No. 664-RP must be assembled to the box prior to installing the conduit.



Recessed Service Floor Boxes

Non-Metallic Covers for 664 Series Floor Boxes



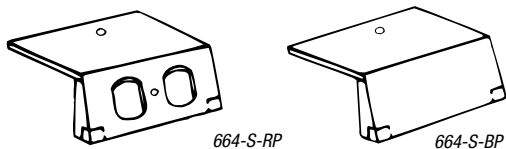
MopTite® covers meet UL scrubwater exclusion requirements for carpet, tile and wood.



CAT. NO.	DESCRIPTION	LOAD RATING	STD. CTN.
664-CST-SW-GRY	Gray Cover	1,500 lbs.	1
664-CST-SW-BRN	Brown Cover	1,500 lbs.	1
664-CST-SW-BGE	Beige Cover	1,500 lbs.	1
664-CST-SW-BLK	Black Cover	1,500 lbs.	1

Material: Polycarbonate with 1/2" steel plate.

Device Plates — 664-S



CAT. NO.	DESCRIPTION	STD. CTN.
664-S-RP	Blank Plate for Use with 664-S Floor Box	4
664-S-BP	Blank Plate for Use with 664-S Floor Box	4

Wire Tunnel for 664 Series

- Wire tunnel for protecting electrical connections between the two duplex receptacles when the box is used for power/power application



CAT. NO.	DESCRIPTION	STD. CTN.
664-WT	For Use with 664 and 664-CI Floor Boxes	4
664-S-WT	For Use with 664-S Floor Box	4

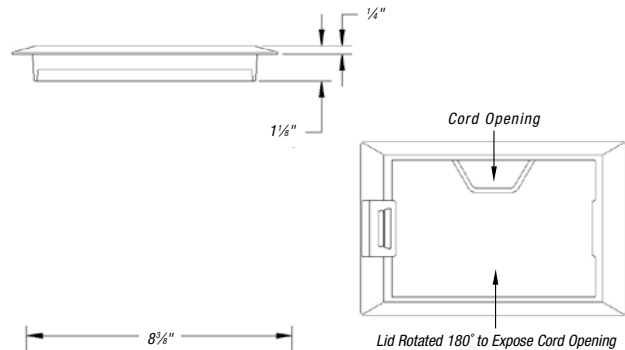


Metallic Covers for 664 Series Floor Boxes



664-CST-SW-BRS
Solid Brass

664-CST-SW-ALM
Solid Aluminum



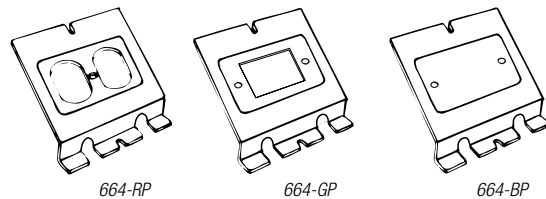
MopTite® covers meet UL scrubwater exclusion requirements for carpet, tile and wood.



CAT. NO.	DESCRIPTION	LOAD RATING	STD. CTN.
664-CST-SW-BRS	Solid Brass Cover for 664 Series Floor Boxes	2,250 lbs.	1
664-CST-SW-ALM	Solid Aluminum Cover for 664 Series Floor Boxes	2,250 lbs.	1

Device Plates — 664-SC & 664-CI

- Duplex receptacle face plate for 664 Series floor box for additional power service
- Does not include duplex receptacle. Can be placed at either end of floor box



CAT. NO.	DESCRIPTION	STD. CTN.
664-RP	For Use with 664 and 664-CI Floor Boxes	4
664-BP	Blank Plate for Use with 664 & 664-CI Floor Boxes	4
664-GP	GFCI Receptacle Plate	4

CAUTION: When using the center side KOs, all 664 plates must be assembled to the box prior to installing the conduit.