

Industrial Areamaster™ LED Flood/High Bay Luminaires

For Ordinary Locations. 250 W, 400 W, 750 W HID Light Level Equivalent

NEC/CEC:
Type 3R, 4X
IP66, IP67
Suitable for use in Wet Locations
Marine Outside Type (Salt Water)

Applications

- Powerful, efficient weatherproof lighting for applications such as:
 - Security lighting
 - Production facilities
 - Warehouses
 - Processing plants
 - Storage areas
 - Parking garages and lots

Features

- Compact in size, attractively styled contemporary design, rugged and dependable.
- Easy to install and service.
- One-piece housing.
- One-piece lens in hinged cover. Secured by four M6 captive stainless steel slotted hex-head bolts.
- Thermal shock- and impact-resistant glass lens standard.
- Diffused polycarbonate lens available as an option.
- Heavy duty, high temperature silicone rubber gasket, mechanically secured.
- Universal design for flood and high bay mounting.
- Floodlight Mounting:
 - Yoke mount, zinc plated steel yoke with architectural bronze polyester finish.
- High Bay Mounting:
 - (1) Conduit entry on back of luminaire with locking set screw.
 - Rotate yoke up or remove.
- Chain Mounting:
 - Mounts via eyebolts threaded into the corners of the fixture.
 - Available with chain mounting, or as an accessory.
 - Rotate yoke up or remove.
- Cool operating temperatures translate into long luminaire life.
- Available with a total of three (3) 3/4" NPT entries with integral bushings.
- Two (2) 3/4" NPT aluminum close up plugs provided.
- Electrical:
 - NEC/CEC: 120-277 Vac, 50/60 Hz; 347-480 Vac, 50/60 Hz.; 250 Vdc available on AMLED77YBC.
- Terminal block (screw type for secure connection) can accept UL/CSA 24-10AWG and IEC 0.2 - 4 mm².

Standard Materials

- Housing and lens door: copperfree (4/10 of 1% max.) aluminum
- Gasket: silicone rubber
- Reflector: metallized high reflectance finish
- Yoke mount: zinc plated steel
- Bolts: stainless steel
- Close up plugs: (2) aluminum provided

Standard Finishes

- Housing, lens cover and yoke mount: architectural bronze polyester



Floodlight



High Bay

NEC/CEC Certifications and Compliances

- UL Standard: UL 1598, UL 1598A,
- CSA Standards: C22.2 No. 250.0
- cCSAus Certified: 164460

DesignLights™ Consortium (for the following models)

- IAMLED67YBU1
- IAMLED67YBU1D
- IAMLED77YBU1
- IAMLED77YBU1D
- IAMLED87YBU1
- IAMLED87YBU1D

LED/FLOODLIGHTS: NEC/CEC ORDINARY LOCATION

Appleton

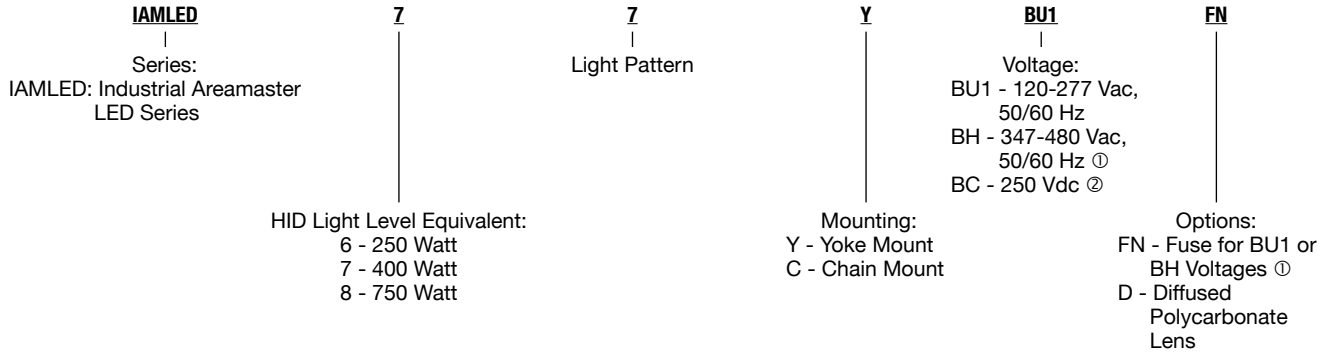
Industrial Areamaster™ LED Flood/High Bay Luminaires

For Ordinary Locations. 250 W, 400 W, 750 W HID Light Level Equivalent

NEC/CEC:
Type 3R, 4X
IP66, IP67
Suitable for use in Wet Locations
Marine Outside Type (Salt Water)

Order using catalog numbering guide below or select catalog number from tables on following pages.

Catalog Numbering Guide – Industrial Areamaster LED



Electrical Specifications – Flood Mount

Catalog Number	Voltage Range	Frequency (Hz)	Watts Input Power (Nom.)	Input Amps (Max.)	Total Harmonic Distortion	Power Factor
IAMLED67YBU1	120-277 Vac	50/60	86/85	0.72 - 0.32	0.5	> 0.98
IAMLED67YBH	347-480 Vac	50/60	88/90	0.25 - 0.19	0.5	> 0.96
IAMLED77YBU1	120-277 Vac	50/60	125/121	1.10 - .047	0.5	> 0.98
IAMLED77YBH	347-480 Vac	50/60	124/125	0.35 - 0.25	0.5	> 0.96
IAMLED77YBC	250 Vdc	—	118	0.47	0.5	> 0.98
IAMLED87YBU1	120-277 Vac	50/60	176/175	1.60 - 0.70	0.5	> 0.98

Line Voltage	Catalog Number
120-277 Vac, 50/60 Hz	IAMLED67YBU1
120-277 Vac, 50/60 Hz	IAMLED77YBU1
120-277 Vac, 50/60 Hz	IAMLED87YBU1
347-480 Vac, 50/60 Hz	IAMLED67YBH
347-480 Vac, 50/60 Hz	IAMLED77YBH
250 Vdc	IAMLED77YBC



① Not available for use on the 750 Watt equivalent.
② Not available for use on the 250 and 750 Watt equivalent.

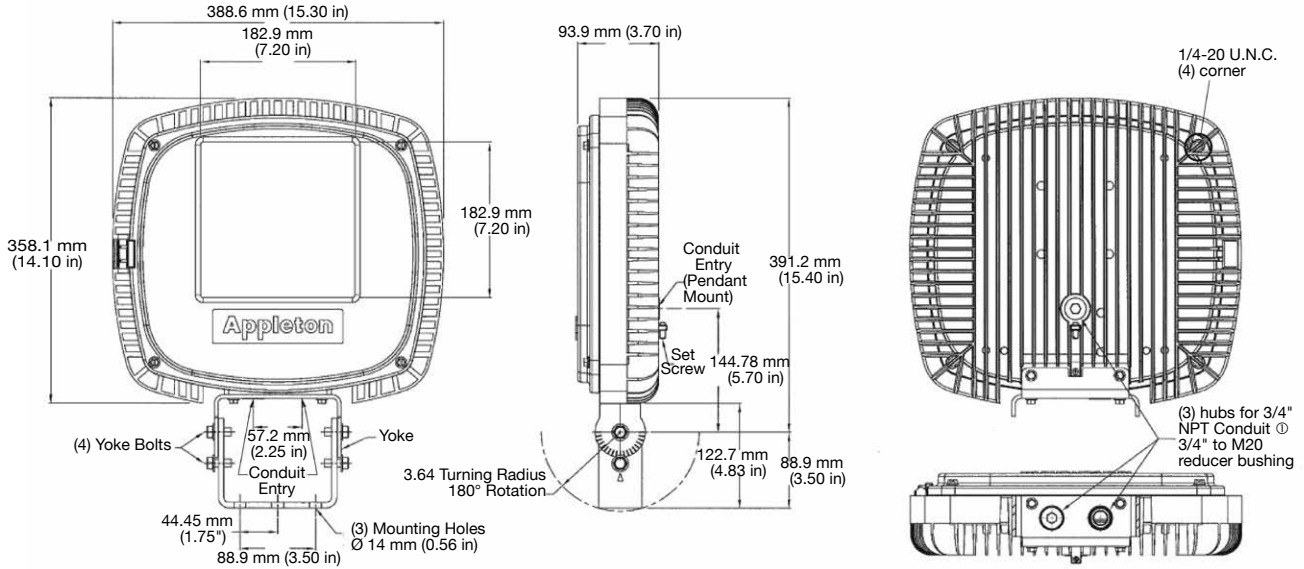
Industrial Areamaster™ LED Flood/High Bay Luminaires

For Ordinary Locations. 250 W, 400 W, 750 W HID Light Level Equivalent

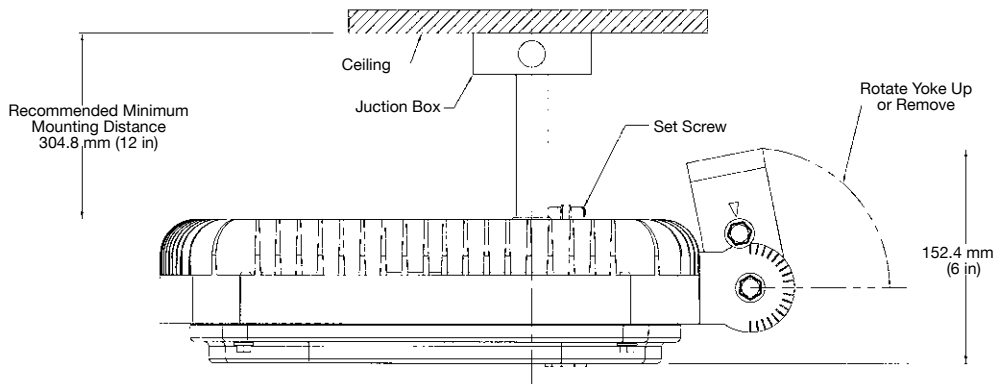
NEC/CEC:
 Type 3R, 4X
 IP66, IP67
 Suitable for use in Wet Locations
 Marine Outside Type (Salt Water)

Dimensions in Millimeters (Inches)

Floodlight



High Bay Pendant Mount



LED/FLOODLIGHTS: NEC/CEC ORDINARY LOCATION

Appleton

Industrial Areamaster™ LED Flood/High Bay Luminaires

For Ordinary Locations. 250 W, 400 W, 750 W HID Light Level Equivalent

NEC/CEC:
 Type 3R, 4X
 IP66, IP67
 Suitable for use in Wet Locations
 Marine Outside Type (Salt Water)

Photometric Data – DATA SHOWN IS ABSOLUTE

REPORT NUMBER: **IAMLED77YBU1_FLOOD**

Lamps: Areamaster, High Bay Mount, LED Board 56 LEDs, Specular Reflector 6–1/2 X 6–1/2 Tapered To 3–1/2 X 3–1/2, Lens Clear

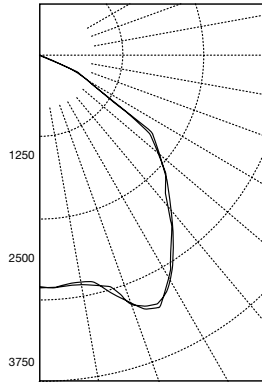
Characteristics: Maximum Candela: 5818; Maximum Candela Angle: 22.5 H 25.5 V; Horizontal Beam Angle (50%): 97.0; Vertical Beam Angle (50%): 102; Horizontal Field Angle (10%): 134; Vertical Field Angle (10%): 134; Beam Lumens 10414; Field Lumens 12967; Luminaire Lumens 13157

LED/FLOODLIGHTS: NEC/CEC ORDINARY LOCATION

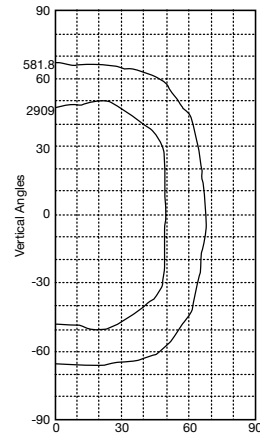
AXIAL CANDELA

DEG.	HOR.	VERT.
90.0	0	0
85.0	21	2
75.0	26	5
65.0	700	733
55.0	2400	2341
47.5	3023	2976
42.5	3375	3307
37.5	3838	3826
33.0	4312	4319
29.0	4670	4719
25.5	4964	4898
22.5	4910	4857
19.5	4700	4660
17.0	4456	4343
15.0	4273	4249
13.0	4184	4165
11.0	4154	4123
9.0	4139	4105
7.0	4124	4119
5.0	4127	4133
3.0	4138	4150
1.0	4149	4153
0.0	4149	4149

AXIAL CANDELA DISPLAY



ISOCANDELA CURVES



CIE Type – Direct

Plane	Spacing Criteria
0 Deg	1.5
90 Deg	1.5

REPORT NUMBER: **IAMLED77YBU1_Highbay**

Lamps: Areamaster, High Bay Mount, LED Board 56 LEDs, Specular Reflector 6–1/2 X 6–1/2 Tapered To 3–1/2 X 3–1/2, Lens Clear

Coefficients of Utilization – Zonal Cavity Method

Effective Floor Cavity Reflectance 0.20

% Ceiling Rcc	80	70				50				30				10				0	
		70	50	30	10	70	50	30	10	50	30	10	50	30	10	0			
0	119	119	119	119	116	116	116	116	111	111	111	111	106	106	106	102	102	102	100
1	111	107	103	100	108	105	102	99	101	98	96	97	95	93	93	92	90	88	
2	102	95	89	84	99	93	88	83	90	85	81	86	83	79	83	80	78	76	
3	94	84	77	71	91	83	76	70	80	74	69	77	72	68	75	70	67	65	
4	86	75	67	61	84	74	66	60	71	65	59	69	63	59	67	62	58	56	
5	79	67	59	52	77	66	58	52	64	57	52	62	56	51	60	55	50	48	
6	73	60	52	46	71	59	51	45	58	50	45	56	50	45	54	49	44	42	
7	67	54	46	40	66	54	46	40	52	45	40	51	44	39	49	44	39	37	
8	63	50	41	36	61	49	41	36	48	40	35	46	40	35	45	39	35	33	
9	58	45	37	32	57	45	37	32	44	37	32	43	36	31	42	36	31	30	
10	55	42	34	29	53	41	34	29	40	33	29	39	33	28	38	32	28	27	

Zonal Lumen Summary

Zone	Lumens	% Lamp	% Fixture	Zone	Lumens	% Lamp	% Fixture
0-30	3841	N.A.	29.1	90-130	2	N.A.	0.0
0-40	6798	N.A.	51.5	90-150	6	N.A.	0.0
0-60	12029	N.A.	91.1	90-180	7	N.A.	0.1
0-90	13177	N.A.	99.8	0-180	13199	N.A.	100
90-120	1	N.A.	0.0				

