

400, 800, 2300 & 2300D SERIES™ RACEWAYS

Two-Piece, Single- and Dual-Channel, Low Profile



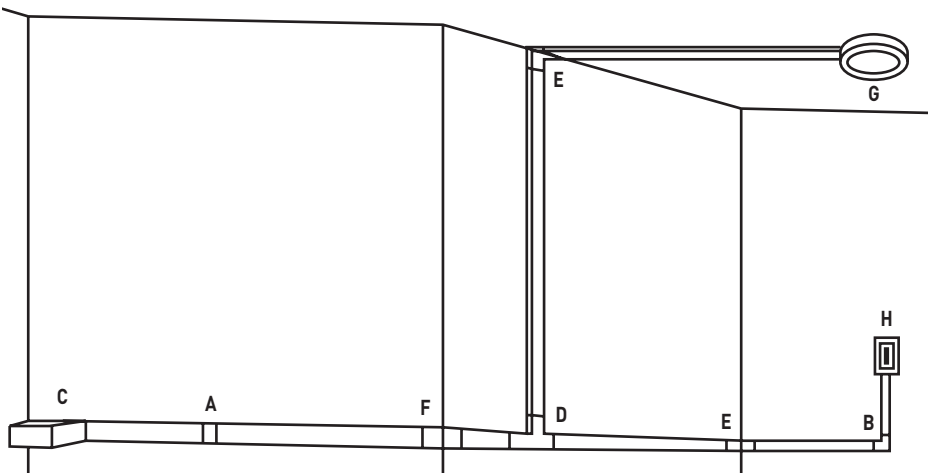
Two-piece, single- and dual-channel, low profile raceway. Easy-to-install and ideal for power or communication installations.

CODE REFERENCE

cULus Listed Raceway:
File E90378 Guide RJTX.
Complies with flammability requirements of UL-5A.

Fittings:
File E90377 Guide RJYT.
Meets Article 388 of NEC.
UL Listed for up to 600V.
Meets Section 12-1600 of CEC.

400, 800, 2300 & 2300D Series Raceways System Layout



NOTE: Illustration is for showing product applications only.

KEY

- A. 406, 806, 2306 Cover Clip
- B. 411, 811, 2311, 2311DFO Flat Elbow Fitting
- C. 810A2, 2310A, 2310DFO Entrance End Fitting
- D. 415, 815, 2315 Tee
- E. 417, 817, 2317, 2317DFO Internal Elbow
- F. 418, 818, 2318, 2318DFO External Elbow
- G. 2337A, 2338A Round Device Boxes
- H. 2344, 2347, 2348 Sure-Snap Device Boxes

COLOR OPTIONS



400, 800, 2300 Series Raceway Part Numbers with a "-WH" suffix have a white finish. Part Numbers without a suffix have an ivory finish. 400, 800, 2300 Series Raceways are paintable using latex paint.

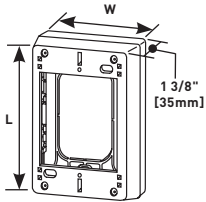
Custom color options are also available. Consult the factory for more information.

400, 800, 2300 & 2300D SERIES™ RACEWAYS

Ordering Information

400/800/2300/2300D Series Raceway Device Box Ordering Information

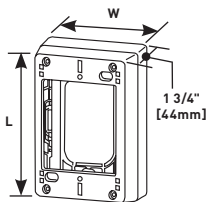
2347, 2347-2 Device Box



2347 one-gang, 2347-2 two-gang. For standard switches and devices. 2347 Base has rectangular KO. 2347-2 Base has rectangular KO to enable extension from existing flush wall box and 1/2" and 1" concentric KOs. Accepts industry standard faceplates for switch and communication devices.

CAT. NO.	L	W	GANG
2347	4 3/4" [121mm]	3" [76mm]	1
2347-WH	4 3/4" [121mm]	3" [76mm]	1
2347-2	4 3/4" [121mm]	4 7/8" [124mm]	2
2347-2-WH	4 3/4" [121mm]	4 7/8" [124mm]	2

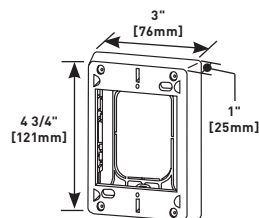
2348, 2348-2, 2348-3 Deep Device Box



2348 one-gang, 2348-2 two-gang, 2348-3 three-gang. For deeper switches and devices. 2348 Base has rectangular KO. 2348-2 and 2348-3 Bases have rectangular KO to enable extension from existing flush wall box and 1/2" and 1" concentric KOs. Accepts industry standard faceplates for switch and communication devices.

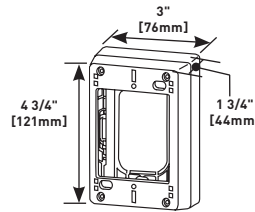
CAT. NO.	L	W	GANG
2348	4 3/4" [121mm]	3" [76mm]	1
2348-WH	4 3/4" [121mm]	3" [76mm]	1
2348-2	4 3/4" [121mm]	4 7/8" [124mm]	2
2348-2-WH	4 3/4" [121mm]	4 7/8" [124mm]	2
2348-3	4 3/4" [121mm]	7" [178mm]	3
2348-3-WH	4 3/4" [121mm]	7" [178mm]	3

2348S/51 Shallow Device Box/Extension Box



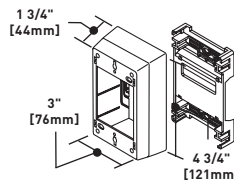
For shallow switches and receptacles. Base has rectangular KO. Also available in white (2348S/51-WH).

2348AMP Magnetic Deep Device Box (with Grommet)



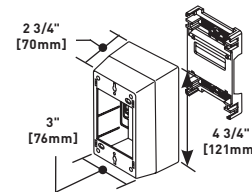
For deeper switches and devices, and has magnetic backing. Base has rectangular KO. Also available in white (2348AMP-WH).

2348D Device Box



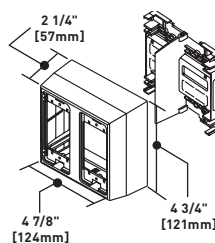
For use with 2300D Series Divided Raceway. For mounting standard switches, receptacles, and industry standard faceplates for communication devices. Also available in white (2348D-WH).

2344D Extra Deep Device Box



For use with 2300D Series Divided Raceway when additional depth is required. For mounting standard switches, receptacles and industry standard faceplates for communication devices. Also available in white (2344D-WH).

2344SD-2A Two-Gang Deep Divided Device Box



Divided two-gang box for use with 2300D Series Divided Raceway. Provides the ability to have both power and low voltage at a single point of use. Utilizes 5507 Series™ faceplates, as well as Wiremold Open System communication modules, Ortronics® TracJack, Series II, and Pass & Seymour® Activate Series inserts. For faceplate options, see 5507 Series™ Faceplates. Also available in white (2344SD-2A-WH).

NOTE: CM-EPLA End Plates are required when using Wiremold CM2 communication modules and Pass & Seymour® Activate inserts. S2-EPL End Plates are required when using Ortronics® Series II inserts. To mount TracJack modules, use 55074TJ or 55076TJ Faceplates.

WIREMOLD

 legrand®

400, 800, 2300, 2300D Series Raceway Systems

400, 800, 2300, 2300D Surface Nonmetallic Raceway Systems

For Low Voltage and Power Applications




The 400, 800, and 2300 Series, from The Wiremold Company, is a family of single compartment raceways for communication or power applications ideal for use in classrooms, office, and hotel applications or anywhere a small low profile raceway is needed. The 2300D Nonmetallic Divided Raceway is for use when power and low voltage cabling is required in the same raceway.



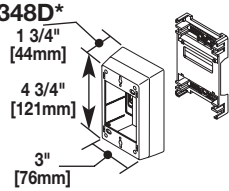
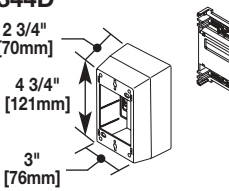
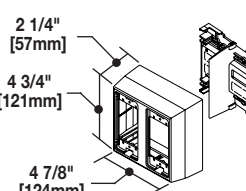
400, 800, 2300, and 2300D

Features & Benefits

- **Single and dual compartment low profile raceway design.** Provides functionality and flexibility with aesthetics for single or dual service applications.
- **Over-the-raceway box for 2300 and 2300D.** Boxes mount over continuous run of raceway base eliminating the need to cut raceway when locating devices.
- **Quick Fit™ integral faceplate.** Provides flush look and ease of installation. Eliminates the need for additional commercial faceplates.
- **Durable, textured PVC ivory or white finish.** Blends with walls and ceilings. Consult factory for special colors.
- **Datacom connectivity options.** Accepts industry standard and proprietary devices from a wide range of manufacturers to provide a seamless and aesthetically pleasing interface for voice, data, audio, and video applications at the point of use.
- **Accommodates communication and/or power wiring.** Can be used for communications, computer lines, surveillance systems, fire alarms, outlets, and more.
- **Lightweight and easy to handle.** Saves time and labor costs. Standard 5' [1.525m] lengths can be easily installed by one person. Special lengths up to 10' [3.050m] are available.
- **FiberReady™ divided fittings.** For use with 2300 and 2300D. Full capacity, aesthetically pleasing fittings provide 2" [51mm] bend radius.
- **Snap-on cover.** Provides security with access to wiring for changes or additions.
- **Easy to cut.** Use a hacksaw or shears to cut raceway which speeds installation.
- **Choice of raceway sizes with full line of fittings and accessories.** Facilitates easy installation of wiring for whatever the job requires: communication devices, receptacles, switches, temperature controls, etc.
- **Ratings:** UL 600V (UL5A), CSA 300V (CSA 22.2 No. 62-93).
- 

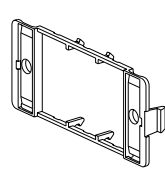
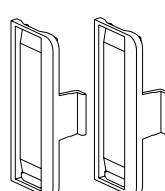
The 2300 and 2300D Divided Raceway Box family provides two unique benefits; labor savings with “over-the-raceway” installation and Quick Fit integral faceplate technology. The 2348D and 2344D-2 “over-the-raceway” design eliminates cutting the raceway base to mount boxes. The base snaps on anywhere along the raceway. The Quick Fit integral faceplate of the 2344SD-2A Box Cover combines superior aesthetics with installation time savings. Pass & Seymour Activate inserts, Wiremold Open System Communication Modules, and Ortronics Series II Devices snap directly into the Quick Fit faceplate, eliminating additional faceplates, and the box accepts 5507 Series device plates. The single-gang boxes accept Pass & Seymour Activate, Ortronics, and other commercially available NEMA standard faceplates.

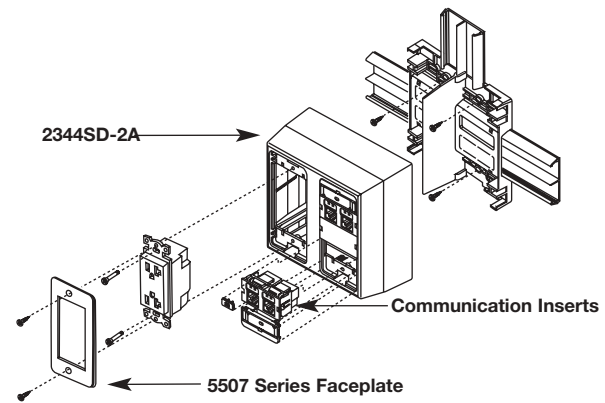
Sure-Snap Boxes for 2300BACD Divided Raceway

Catalog No./Item	Description/Specifications	ORT	P&S	OPEN
2348D* 	Device Box – For mounting standard switches, receptacles, faceplates and devices. <ul style="list-style-type: none"> Accepts NEMA Faceplates 	ORT	P&S	OPEN
2344D* 	Extra Deep Device Box – Use when additional depth is required. For mounting standard switches, receptacles, faceplates, and devices. <ul style="list-style-type: none"> Accepts NEMA Faceplates 	ORT	P&S	OPEN
2344SD-2A* 	Two-Gang Deep Divided Box – For use with 2300 and 2300D Raceway. Provides power and data at a single point of use. For use with: <ul style="list-style-type: none"> 5507 Series Faceplates Ortronics® TracJack & Series II Modules Pass & Seymour Activate™ Series Inserts Wiremold Open System Communication Modules 	ORT	P&S	OPEN

Note: Not for use with NEMA Faceplates.

2344SD-2 Over-the-Raceway Box Application

Catalog No./Item	Description/Specifications
CM-EPLA* 	End Plates – Includes two outlet identification labels with clear covers and two matching screw covers. Required for mounting Pass & Seymour Activate™ and Wiremold Open System communication modules into the 2344SD-2A.
S2-EPL* 	End Plates – Includes two outlet identification labels with clear covers and two matching screw covers. Required for mounting Ortronics® Series II modules into the 2344SD-2A.

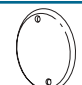




2344SD-2A →

← 5507 Series Faceplate

← Communication Inserts

400/800/2300 Round Fixture Boxes for Non-Divided Raceway

Item	Description	Cat. No.	Diameter	Depth	Specifications
	Blank Cover	2336	4 1/2" [114mm]	—	Use with any round fixture box to convert into junction box.
	Extension Box	2337A	5 1/2" [140mm]	1" [25mm]	Same as the 2338A except has an open base to allow back feed from an existing in-wall box.
	Fixture Box	2338A	5 1/2" [140mm]	1" [25mm]	For hanging smoke/fire alarms and other security devices with 3 1/2" [89mm] or 4 1/16" [103mm] mounting centers. Not for use with ceiling fans.

* Add “WH” suffix for White finish.