

24A01G-3



24A06G-1

**LEVEL-TEMP LOW VOLTAGE
CONTROL SYSTEMS FOR ELECTRIC HEAT**

Provides Silent Operation and Narrow Differential Control for Heating or Cooling Installations for use with a 2-Wire 24 Volt Thermostat

FEATURES

- Level-Temp allows low voltage 2-wire thermostat to control line voltage loads such as baseboard heaters.
- Conduit hub or screw mounting.
- Ideal for all types of electrical heat.
- Non-critical mounting angle. Universal break-off mounting tabs.
- Dual Level-Temp capable of controlling two separate loads.

SPECIFICATIONS

Dimensions Models 24A01/05	17/8" H x 4 1/2" W x 27/16" D
Dimensions Model 24A06	3 13/16" H x 4 13/16" W x 2 1/8" D
Dimensions Model 24A07	1 7/8" H x 4 9/16" W x 1 29/32" D

Single Level Temp

Switch Action	SPST normally open
Average Time Delay	45 seconds
Lead length	18 inches
Ambient temperature range	-20 to +140°F

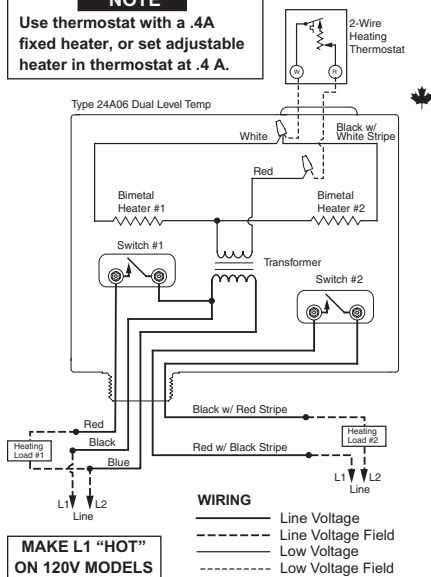
Dual Level Temp

Switch Action	Two independent: SPST normally open
Average Time Delay	45 seconds
Lead length	18 inches
Ambient temperature range	-20 to +120°F
Agency	U.L. listed and C.S.A. certified. Design complies with U.L. 873 T.I.R.E. standard (Temperature Indicating & Regulating Equipment)

TECHNICAL HELP

Wiring and Dimension Drawing, 24A01/24A05 page 286

NOTE
Use thermostat with a .4A fixed heater, or set adjustable heater in thermostat at .4 A.



Using Two-wire Heating Thermostat to Operate Two Separate Heating Loads

SINGLE LEVEL TEMPS – Normally Open

Model Number	Input Voltage/Frequency	Thermostat Current	A.C. Resistive (Non-inductive)	A.C. Motor Rating (Inductive)	
				Full Load	Locked Rotor
24A01G-3	240 VAC/60 Hz	0.2A	25A, 6000W, 240v	12A, 240v	72A, 240v
24A01Z-10	347 VAC/60 Hz	0.2A	17A, 5900W, 347v	-	-
24A05A-1	120 VAC/60 Hz	0.2A	25A, 3000W, 120v	16A, 120v	96A, 120v
24A05E-1	208 VAC/60 Hz	0.2A	22A, 5200W, 208v	12A, 208v	72A, 208v
24A05Z-1	277 VAC/60 Hz	0.2A	22A, 6000W, 277v	-	-
24A07E-1 ①	208 VAC/60 Hz	0.2A	25A, 5200W, 208v	12A, 208v	72A, 208v
24A07G-1 ②	240 VAC/60 Hz	0.2A	25A, 6000W, 240v	12A, 240v	72A, 240v

- ① Same as 24A05E-1, except without enclosure (U.L. recognized only)
- ② Same as 24A01G-3, except without enclosure (U.L. recognized only)

DUAL LEVEL TEMPS – Controls Two Independent Loads – Normally Open

Model Number	Input Voltage/Frequency	Thermostat Current	A.C. Resistive ① (Non-inductive)	A.C. Motor Rating (Inductive)	
				Full Load	Locked Rotor
24A06G-1	240 VAC/60 Hz	0.2A per switch	25A, 6000W, 240v	12A, 240v	72A, 240v

① Electrical ratings apply to each switch load
NOTE: Delay approximately 30 seconds opening and 60 seconds closing

REPLACES HONEYWELL R841 SERIES