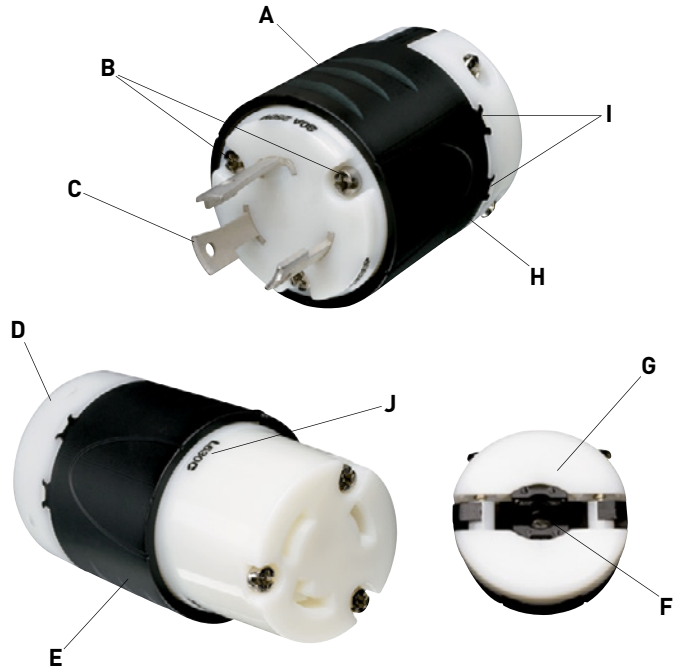


# INDUSTRIAL SPEC GRADE TURNLOK® LOCKING DEVICES

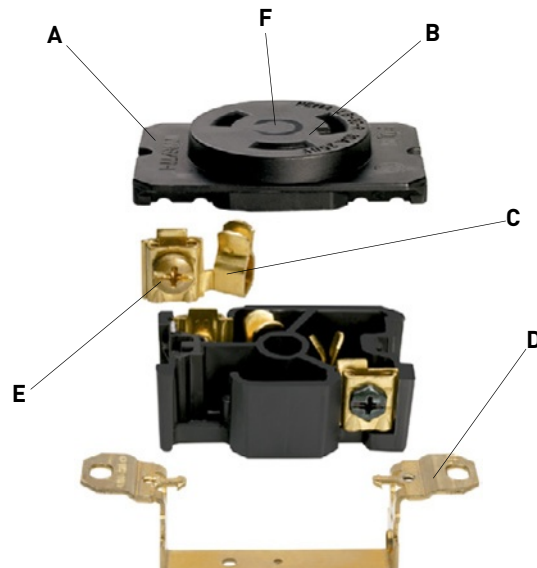
## L630C & L630P Connector & Plug

- A. Raised ribs** provide non-slip gripping profile for turning to lock and unlock.
- B. Quick-thread assembly screws** and cord-grip screws come backed-out, ready-to-wire.
- C. Industrial-strength, brass alloy plug blades**, and connector contacts resist heat rise, provide excellent conductivity.
- D. Rounded back contour** reduces snags and hang-ups on the job site.
- E. Impact- and corrosion-resistant** durable nylon 6 shell material.
- F. Integral flexible rubber cord grommet** conforms to and seals around SO cord to provide protection from oils, water, or chips entering wiring chamber.
- G. New-design external cord grips** provide visible assurance of safe and proper cord retention.
- H. Scallop shell design** provides non-slip gripping surface for insertion and withdrawal.
- I. Double dovetail design** provides superior protection against cord pull-out forces.
- J. Visible stamped NEMA configuration and device rating.**



## L630R Receptacles

- A. Compact, impact-resistant nylon face and body** are ultrasonically welded together for unrivaled strength.
- B. Clearly marked NEMA configuration, rating, and third party listing** on each unit's face.
- C. One-piece, high-grade brass contacts** offer excellent conductivity and heat-rise resistance.
- D. Single-piece, solid brass mounting strap** is free of easily loosened rivets found on other brands.
- E. Side and external screw-pressure-plate back wire capability.** Accepts #14 - #10 AWG.



**F. P&S Turnlok Receptacles.** Voltage color coding on the outside. Proven designs and quality materials on the inside. Any way you look at them, they're the standard of the industry.



# INDUSTRIAL SPEC GRADE TURNLOK® LOCKING DEVICES

## NEMA Configurations

### Locking Plugs & Receptacles

	15 AMPERE		20 AMPERE		30 AMPERE		
	RECEPTACLE	PLUG	RECEPTACLE	PLUG	RECEPTACLE	PLUG	
<b>2 POLE, 2 WIRE NON-GROUNDING</b>							
125V	L1						
	L2						
<b>2 POLE, 3 WIRE GROUNDING</b>							
125V	L5						
	L6						
250V	L7						
	L24						
347VAC							
480VAC	L8						
	L9						
600VAC							
<b>3 POLE, 3 WIRE NON-GROUNDING</b>							
125/250V	L10						
	L11						
3ø250V							
3ø480V	L12						
	L13						
3ø600V							
<b>3 POLE, 4 WIRE GROUNDING</b>							
125/250V	L14						
	L15						
3ø250V							
3ø480V	L16						
	L17						
3ø600V							
<b>4 POLE, 4 WIRE NON-GROUNDING</b>							
3øY 120/208V	L18						
	L19						
3øY 277/480V							
3øY 347/600V	L20						
<b>4 POLE, 5 WIRE GROUNDING</b>							
3øY 120/208V	L21						
	L22						
3øY 277/480V							
3øY 347/600V	L23						

### Midget – Locking

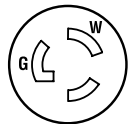
	15 AMPERE		
	RECEPTACLE	PLUG	
<b>2 POLE, 2 WIRE NON-GROUNDING</b>			
125V	ML1		
<b>2 POLE, 3 WIRE GROUNDING</b>			
125V	ML2		
<b>3 POLE, 3 WIRE NON-GROUNDING</b>			
125/250V	ML3		

### Labels & Their Meaning

X, Y, Z	Hot Lead
W	Neutral Lead
G	Grounding Lead

#### Open Slots

Indicate receptacle configurations (female).



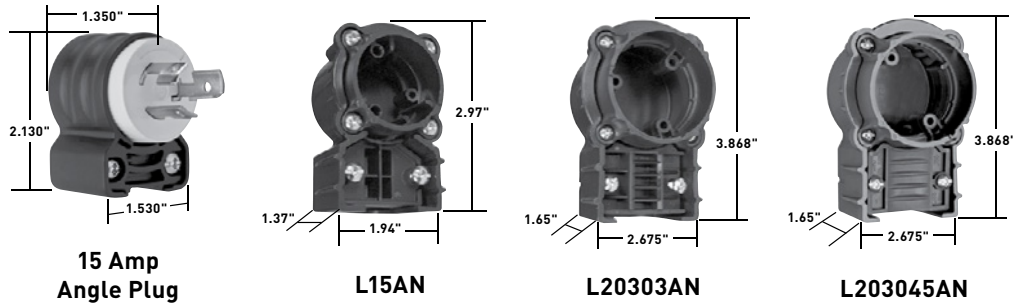
#### Closed Slots

Indicate plug blade configurations (male).



# INDUSTRIAL SPEC GRADE TURNLOK® LOCKING DEVICES

**Angle Plugs & Adapters** 2 Pole, 3 Wire 15A, 125, 250 & 277V; 3, 4 & 5 Wire 15, 20 & 30A Adapters



## Features

- Angle plugs and adapters both allow for 4-position face rotation. 20/30A 3 Wire Turnlok® Right Angle Adapters are adjustable up to 8 positions.
- Angle adapters (sold separately) will accommodate all P&S Turnlok style plugs and connectors on a retrofit basis. Simply remove the straight handle body from the plug or connector face assembly, and replace with the angle adapter.
- Tri-drive assembly and cord-grip screws are standard on all angle plugs and adapters.
- Angle plugs and adapters have the same wide cord diameter range (.230"-1.150") that is present on all Turnlok plugs and connectors.

CATALOG NUMBER	RATING		DESCRIPTION	CORD DIAMETER	NEMA CONFIG. NO.	3rd PARTY COMPLIANCE	
	A.	V.				UL498	FSUL WC596
<b>2 POLE, 3 WIRE GROUNDING</b>							
PS4720SSAN	15	125	Black Back Body, White Front Body	.230"-.655"	L5-15P	•	•
PSL615PAN	15	250	Black Back Body, White Front Body	.230"-.690"	L6-15P	•	•
PSL715PAN	15	277	Black Back Body, White Front Body	.230"-.690"	L7-15P	•	•



NEMA L5-15P



NEMA L6-15P



NEMA L7-15P

CATALOG NUMBER	DESCRIPTION	CORD DIAMETER
<b>ACCESSORIES</b>		
L15AN	15A Turnlok Right Angle Adapter	.230"-1.150"
L20303AN	20/30A 3 Wire Turnlok Right Angle Adapter	.230"-1.150"
L203045AN	20/30A 4 and 5 Wire Turnlok Right Angle Adapter	.230"-1.150"