

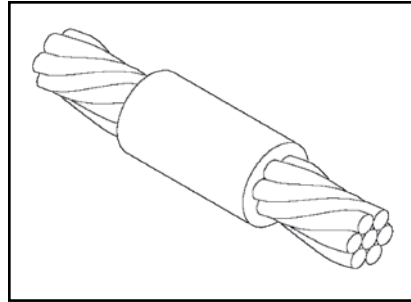
**BCC-1 TYPE MOLDS**

**Horizontal End to End**

BCC-1 Type Molds are used for horizontal end to end cable connections.

Size range is #6 through 1000 kcmil solid or concentric stranded copper conductors.

Contact BURNDY® for information on molds for conductors not listed below.



E-75

Cable		Mold Number	Price Key	Weld Metal	Handle Clamps
Run	Tap				
#4	#4	<b>B-5623</b>	18 ①	25	Incl.
#3	#3	<b>B-5624</b>	18 ①	32	Incl.
#2	#2	<b>B-5625</b>	18 ①	32	Incl.
#1	#1	<b>B-5626</b>	18 ①	32	Incl.
1/0	1/0	<b>B-205</b>	4	45	B-106
2/0	2/0	<b>B-206</b>	4	65	B-106
3/0	3/0	<b>B-207</b>	4	90	B-106
4/0	4/0	<b>B-208</b>	4	90	B-106
250 kcmil	250 kcmil	<b>B-209</b>	4	115	B-106
300 kcmil	300 kcmil	<b>B-210</b>	4	115	B-106
350 kcmil	350 kcmil	<b>B-211</b>	4	150	B-106
500 kcmil	500 kcmil	<b>B-213</b>	4	200	B-107
750 kcmil	750 kcmil	<b>B-214</b>	5	2-150	B-107
1000 kcmil	1000 kcmil	<b>B-215</b>	5	2-200	B-107

① B38-0309-00 Flint ignitor included

**NOTES:**

- For sizes not listed, contact BURNDY®
- Molds listed are for concentric stranded cable; add suffix "-S" to mold number for solid conductors
- For heavy duty molds, molds with wear plates or molds for Copperweld® cable, contact BURNDY®
- For expedited service, contact BURNDY®

**Required Tools:**

Handle Clamps - see chart for correct handle catalog number

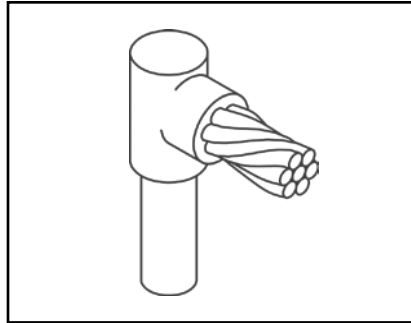
**Recommended Accessories:**

- B38-0309-00 Flint Ignitor
- B38-3922-00 Mold Cleaning Brush
- B38-0135-00 Cable Cleaning Brush
- B38-0330-00 Cable Clamp

Blue highlighted items are industry standard and most frequently ordered.

**TYPE BCR-1 MOLDS**

**Horizontal Cable Terminal  
to Ground Rod**



Type BCR-1 Molds are used to terminate horizontal copper cable at the top of a vertical ground rod. Size range is #6 through 1000 kcmil solid or concentric stranded copper conductors; 1/2" through 1" for the ground rod. Contact BURNDY® for information on molds for conductors not listed below.

**NOTES:**

- For sizes not listed, contact BURNDY®
- Molds listed are for concentric stranded cable; add suffix "-S" to mold number for solid conductors
- For heavy duty molds, molds with wear plates or molds for Copperweld® cable, contact BURNDY®
- For expedited service, contact BURNDY®

**Required Tools:**

Handle Clamps - see chart for correct handle catalog number

**Recommended Accessories:**

**B38-0309-00** Flint Ignitor; **B38-3922-00** Mold Cleaning Brush; **B38-0135-00** Cable Cleaning Brush; **B38-0330-00** Cable Clamp

E-81

Cable		Mold Number	Price Key	Weld Metal	Handle Clamps
Grd Rod	Tap				
1/2"	#6	<b>B-8402</b>	18 ①	25	Incl.
	#4	<b>B-8403</b>	18 ①	25	Incl.
	#2	<b>B-495</b>	4	65	B-106
	#1	<b>B-496</b>	4	65	B-106
	1/0	<b>B-497</b>	4	90	B-106
	2/0	<b>B-498</b>	4	90	B-106
	3/0	<b>B-499</b>	4	90	B-106
	4/0	<b>B-500</b>	4	90	B-106
	250 kcmil	<b>B-501</b>	4	90	B-106
	300 kcmil	<b>B-502</b>	4	90	B-106
5/8"	#6	<b>B-8414</b>	18 ①	32	Incl.
	#4	<b>B-8415</b>	18 ①	32	Incl.
	#2	<b>B-503</b>	4	65	B-106
	#1	<b>B-504</b>	4	65	B-106
	1/0	<b>B-505</b>	4	90	B-106
	2/0	<b>B-506</b>	4	90	B-106
	3/0	<b>B-507</b>	4	90	B-106
	4/0	<b>B-508</b>	4	90	B-106
	250 kcmil	<b>B-509</b>	4	90	B-106
	300 kcmil	<b>B-510</b>	4	115	B-106
	350 kcmil	<b>B-511</b>	4	115	B-106
	500 kcmil	<b>B-513</b>	4	150	B-106

① B38-0309-00 Flint ignitor included

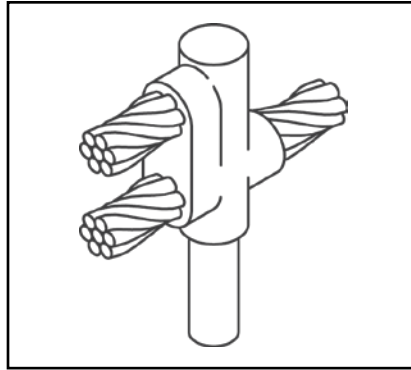
Cable		Mold Number	Price Key	Weld Metal	Handle Clamps
Grd Rod	Tap				
3/4"	#6	<b>B-8422</b>	18 ①	32	Incl.
	#4	<b>B-8426</b>	19 ①	45	Incl.
	#2	<b>B-5781</b>	4	90	B-106
	#1	<b>B-514</b>	4	90	B-106
	1/0	<b>B-515</b>	4	90	B-106
	2/0	<b>B-516</b>	4	90	B-106
	3/0	<b>B-517</b>	4	90	B-106
	4/0	<b>B-518</b>	4	90	B-106
	250 kcmil	<b>B-519</b>	4	90	B-106
	300 kcmil	<b>B-520</b>	4	115	B-106
	350 kcmil	<b>B-521</b>	4	115	B-106
	500 kcmil	<b>B-523</b>	4	150	B-106
	750 kcmil	<b>B-524</b>	4	250	B-106
	1"	1/0	<b>B-525</b>	4	150
2/0		<b>B-526</b>	4	150	B-106
3/0		<b>B-527</b>	4	150	B-106
4/0		<b>B-528</b>	4	150	B-106
250 kcmil		<b>B-529</b>	4	150	B-106
300 kcmil		<b>B-530</b>	4	200	B-106
350 kcmil		<b>B-531</b>	4	200	B-106
500 kcmil		<b>B-533</b>	4	200	B-106
750 kcmil		<b>B-534</b>	4	250	B-106
1000 kcmil		<b>B-535</b>	5	2-150	B-106

Blue highlighted items are industry standard and most frequently ordered.

## TYPE BCR-17 MOLDS

### Horizontal Run and Tap Cables to Ground Rod

Type BCR-17 Molds are used to join horizontal run and tap cables to the top of a vertical ground rod. Size range is #4 through 750 kcmil solid or concentric stranded copper conductors; 1/2" through 1" for the ground rod. Contact BURNDY® for information on molds for conductors not listed below.



#### NOTES:

- For sizes not listed, contact BURNDY®
- Molds listed are for concentric stranded cable; add suffix "-S" to mold number for solid conductors
- For heavy duty molds, molds with wear plates or molds for Copperweld® cable, contact BURNDY®
- For expedited service, contact BURNDY®

#### Required Tools:

Handle Clamps - see chart for correct handle catalog number

#### Recommended Accessories:

**B38-0309-00** Flint Ignitor; **B38-3922-00** Mold Cleaning Brush; **B38-0135-00** Cable Cleaning Brush; **B38-0330-00** Cable Clamp

E-84

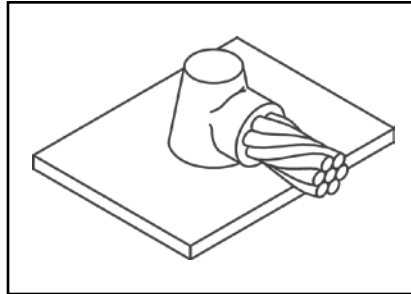
Cable		Mold Number	Price Key	Weld Metal	Handle Clamps
Grd Rod	Tap				
1/2"	#4	<b>B-5416</b>	4	90	B-106
	#2	<b>B-6165</b>	4	90	B-106
	#1	<b>B-5830</b>	4	90	B-106
	1/0	<b>B-5940</b>	4	115	B-106
	2/0	<b>B-5850</b>	4	150	B-106
	3/0	<b>B-5833</b>	4	200	B-106
	4/0	<b>B-5380</b>	4	200	B-106
	5/8"	#4	<b>B-5972</b>	4	90
#2		<b>B-5935</b>	4	115	B-106
#1		<b>B-5699</b>	4	115	B-106
1/0		<b>B-5746</b>	4	150	B-106
2/0		<b>B-5963</b>	4	200	B-106
3/0		<b>B-5734</b>	4	250	B-106
4/0		<b>B-5732</b>	4	250	B-106
250 kcmil		<b>B-5722</b>	5	2-150	B-107
3/4"	#4	<b>B-5698</b>	4	90	B-106
	#2	<b>B-5294</b>	4	115	B-106
	#1	<b>B-5390</b>	4	115	B-106
	1/0	<b>B-6025</b>	4	150	B-106
	2/0	<b>B-5738</b>	4	200	B-106
	3/0	<b>B-6003</b>	4	250	B-106
	4/0	<b>B-2566</b>	4	250	B-106
	250 kcmil	<b>B-5904</b>	5	2-150	B-107
	300 kcmil	<b>B-5857</b>	5	2-200	B-107
	350 kcmil	<b>B-5777</b>	5	2-200	B-107
500 kcmil	<b>B-5961</b>	5	3-200	B-107	

Cable		Mold Number	Price Key	Weld Metal	Handle Clamps
Grd Rod	Tap				
1"	#4	<b>B-5556</b>	4	115	B-106
	#2	<b>B-5555</b>	4	150	B-106
	#1	<b>B-6048</b>	4	150	B-106
	1/0	<b>B-5992</b>	4	200	B-106
	2/0	<b>B-5877</b>	4	250	B-106
	3/0	<b>B-5821</b>	5	2-150	B-107
	4/0	<b>B-5820</b>	5	2-150	B-107
	250 kcmil	<b>B-5807</b>	5	2-200	B-107
	300 kcmil	<b>B-5803</b>	5	500	B-107
	350 kcmil	<b>B-5561</b>	5	500	B-107
	500 kcmil	<b>B-5515</b>	6	3-250	B-107
	750 kcmil	<b>B-5513</b>	6	2-500	B-107

Blue highlighted items are industry standard and most frequently ordered.

**TYPE BCS-1 MOLDS**

**Horizontal Cable to  
Horizontal Steel Surface**



Type BCS-1 Molds are used to terminate a horizontal copper cable to any horizontal steel surface. Note that the cable is OFF the surface. Size range is 1/0 through 1000 kcmil solid or concentric stranded copper conductors. Contact BURNDY® for information on molds for conductors not listed below.

**NOTES:**

- For sizes not listed, contact BURNDY®
- Molds listed are for concentric stranded cable; add suffix "-S" to mold number for solid conductors
- For heavy duty molds, molds with wear plates or molds for Copperweld® cable, contact BURNDY®
- For expedited service, contact BURNDY®

**Required Tools:**

Handle Clamps - see chart for correct handle catalog number

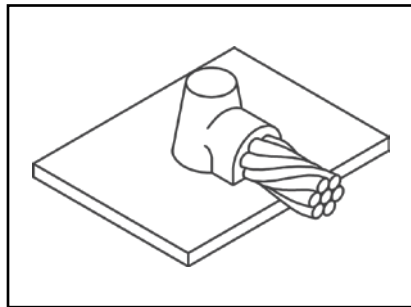
**Recommended Accessories:**

**B38-0309-00** Flint Ignitor; **B38-3922-00** Mold Cleaning Brush; **B38-0135-00** Cable Cleaning Brush; **B38-0330-00** Cable Clamp

Cable Size	Mold Number	Price Key	Weld Metal	Handle Clamps
1/0	<b>B-644</b>	4	90	B-106
2/0	<b>B-645</b>	4	90	B-106
3/0	<b>B-646</b>	4	115	B-106
4/0	<b>B-647</b>	4	115	B-106
250 kcmil	<b>B-648</b>	4	115	B-106
300 kcmil	<b>B-649</b>	4	150	B-106
350 kcmil	<b>B-650</b>	4	200	B-106
500 kcmil	<b>B-652</b>	4	200	B-106
750 kcmil	<b>B-653</b>	5	2-150	B-106
1000 kcmil	<b>B-654</b>	5	2-200	B-107

**TYPE BCS-8 MOLDS**

**Horizontal Cable to  
Horizontal Steel Surface**



Type BCS-8 Molds are used to terminate a horizontal copper cable to any horizontal steel surface. Note that the cable is ON the surface. Size range is #6 through 1000 kcmil solid or concentric stranded copper conductors. Contact BURNDY® for information on molds for conductors not listed below.

**NOTES:**

- For sizes not listed, contact BURNDY®
- Molds listed are for concentric stranded cable; add suffix "-S" to mold number for solid conductors
- For heavy duty molds, molds with wear plates or molds for Copperweld® cable, contact BURNDY®
- For expedited service, contact BURNDY®

**Required Tools:**

Handle Clamps - see chart for correct handle catalog number

**Recommended Accessories:**

**B38-0309-00** Flint Ignitor; **B38-3922-00** Mold Cleaning Brush; **B38-0135-00** Cable Cleaning Brush; **B38-0330-00** Cable Clamp

① **B38-0309-00** Flint ignitor included

Cable Size	Mold Number	Price Key	Weld Metal	Handle Clamps
#6	<b>B-628</b>	3 ①	45	Incl.
#4	<b>B-629</b>	3 ①	45	Incl.
#2	<b>B-630</b>	3 ①	45	Incl.
#1	<b>B-631</b>	3 ①	65	Incl.
1/0	<b>B-7146</b>	4	90	B-106
2/0	<b>B-7075</b>	4	90	B-106
3/0	<b>B-2199</b>	4	115	B-106
4/0	<b>B-6114</b>	4	115	B-106
250 kcmil	<b>B-2200</b>	4	115	B-106
300 kcmil	<b>B-2506</b>	4	150	B-106
350 kcmil	<b>B-2507</b>	4	200	B-106
500 kcmil	<b>B-2509</b>	4	200	B-106
750 kcmil	<b>B-2542</b>	5	2-150	B-107
1000 kcmil	<b>B-2511</b>	5	2-200	B-107

Blue highlighted items are industry standard and most frequently ordered.

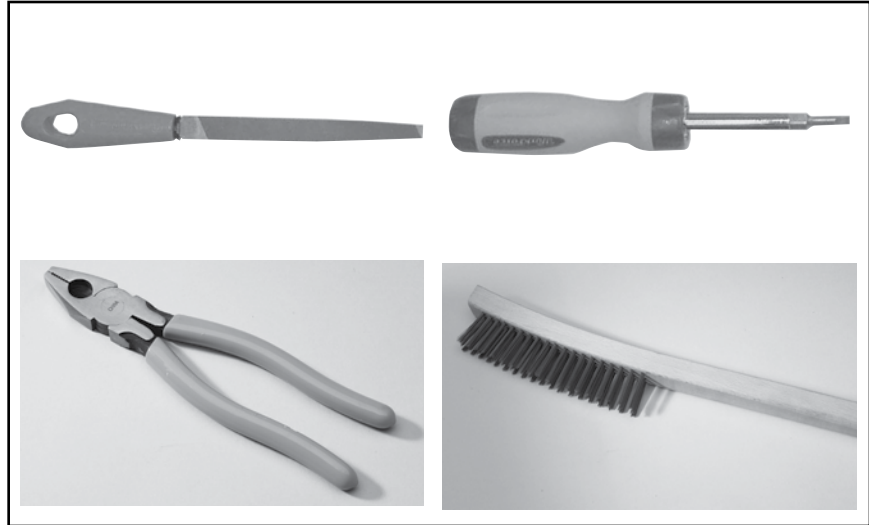
## BURNDYWeld® ACCESSORIES

E-104



### BURNDYWeld® Tool Kit

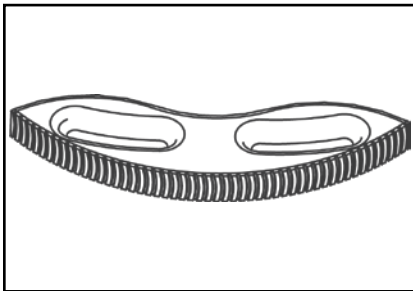
- B38-0302-00** Tool Kit with Tools Shown except Rasp
- B38-0302-02** Tool Kit with Tools Shown and Rasp
- B38-0303-00** Tool Box only



### BURNDYWeld® Tools

The **B38-0309-00** Flint Ignitor is used to ignite the starting powder. Each mold that is sold with a frame has a Flint Ignitor included. For added safety a Flint Ignitor extension is available, catalog number **B38-0904-00**, that attaches to the **B38-0309-00** Flint Ignitor. This allows installers to stay approximately 36" away from the mold. To order replacement flints, specify part number **B38-0309-01**.

- B38-0309-00** Flint Ignitor
- B38-0304-00** 8" File
- B38-0307-00** Crimping Tool
- B38-3922-00** Mold Cleaning Brush
- B38-0308-00** 6" Screwdriver
- B38-0305-00** Wire Brush
- B38-0101-00** Rasp
- B38-0306-00** Card Cloth Brush



### B38-0101-00 Rasp

This tempered steel, curved rasp is recommended for removing rust and mill scale from steel and cast iron surfaces. The blade is replaceable. To order replacement rasp blade, specify catalog number **B38-0101-01**.

Not recommended for use on galvanized surfaces.



### B38-0309-00 Flint Ignitor

The **B38-0309-00** Flint Ignitor is used to ignite the starting powder. Each mold that is sold with a frame has a Flint Ignitor included. For added safety a Flint Ignitor extension is available, catalog number **B38-0904-00**, that attaches to the **B38-0309-00** Flint Ignitor. This allows installers to stay approximately 36" away from the mold.

To order replacement flints, specify part number **B38-0309-01**.

Blue highlighted items are industry standard and most frequently ordered.