

### R5 Series Non-Fusible 16–80A

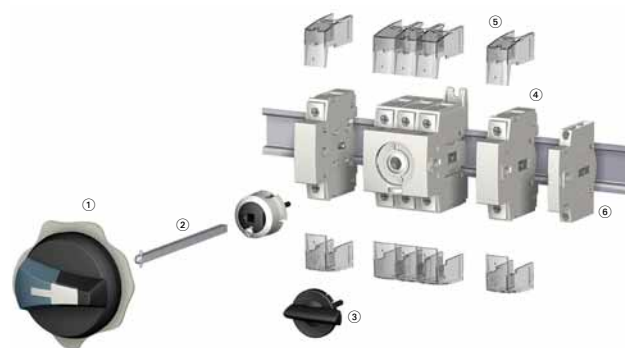


### Contents

Description	Page
R5 Series Non-Fusible 16–80A	
Product Selection . . . . .	V5-T8-6
Accessories . . . . .	V5-T8-6
Technical Data and Specifications . . . . .	V5-T8-9
Dimensions . . . . .	V5-T8-10

### Product Description

R5 Series (UL 508 listed) products are manually operated modular switches. Load break switching and isolation provide safety solutions for any low voltage circuit, particularly for machine and control circuits. The R5 Series products are manual motor controllers suitable as motor disconnect.



### Features, Benefits and Functions

- Up to 65 kAIC short-circuit rating
- Direct or external operation
- Compact footprint
- DIN rail or base mount
- Wide range of accessories
- Up to eight-pole or four-pole MTS
- Open and enclosed devices
- Modular design
- Integrated terminals for additional safety
- Padlockable design (direct, toggle and external handles)
- Product can be reverse fed



### Product Identification

- ① External front handle
- ② Shaft extension for external handle
- ③ Direct handle
- ④ Switched fourth-pole module
- ⑤ Terminal shroud
- ⑥ Auxiliary contacts

**Note:** For further details, please see the installation instructions supplied with each device.

### Standards and Certifications

#### Conformity to Standards

- UL 508 listed, Guide NLRV, File E165150
- CSAT C22.2 No.14, File 217736
- IEC 60947-3, EN 60947-3
- CCC
- CE



# 8.2

## Rotary Disconnects

R5 Series (UL 508) Non-Fusible 16–80A

### Product Selection

#### Direct Operation



Switch body + Direct handle

#### External Operation



Switch body + Shaft + External handle

### R5 Series



8

Ampere Rating	Three-Pole Toggle Switch Only <sup>①</sup>	Three-Pole Rotary Switch Only	Direct Handle	Front and Right External Handle SH00 (Choose one)	Front and Right External Handle SH0 (Choose one)	Shaft for SH0 and SH00—5 x 5 mm—In (mm)
16	—	<b>R5A3016U</b>	<b>DHR5</b>	SH00 Black 3R, 12 <b>SHB00N12</b>	SH0 Black 3R, 12 <b>SHB0N12</b>	2.20 (55.5) <b>SF55SH5X5</b>
25	—	<b>R5A3025U</b>				
30	<b>T5A3030U</b>	<b>R5A3030U</b>				3.50 (90.0) <b>SF90SH5X5</b>
40	<b>T5A3040U</b>	<b>R5A3040U</b>				
60	<b>T5B3060U</b>	<b>R5B3060U</b>		SH00 Red 3R, 12 <b>SHR00N12</b>	SH0 Red 3R, 12 <b>SHR0N12</b>	5.90 (150.0) <b>SF150SH5X5</b>
80	<b>T5B3080U</b>	<b>R5B3080U</b>		SH00 Black 4, 4X <b>SHB00N4X</b>	SH0 Black 4, 4X <b>SHB0N4X</b>	7.90 (200.0) <b>SF200SH5X5</b>
				SH00 Red 4, 4X <b>SHR00N4X</b>	SH0 Red 4, 4X <b>SHR0N4X</b>	12.60 (320.0) <b>SF320SH5X5</b>

### Accessories



Ampere Rating	Switched Fourth-Pole Module	Auxiliary Contacts (Choose one)	Terminal Shrouds	Door Mounting Kit <sup>②</sup>
16	<b>S4PR516</b>	1NO + 1NC <b>AC1NONC</b>	1P <b>TS1R5A</b>	<b>DMK</b>
25	<b>S4PR525</b>			
30	<b>S4PR530</b>		3P <b>TS3R5A</b>	
40	<b>S4PR540</b>	2NO <b>AC2NO</b>		
60			1P <b>TS1R5B</b>	
80			3P <b>TS3R5B</b>	

#### Notes

- ① Toggle version includes direct handle.
- ② Includes shaft and accessory cap.