

STANDARD HYDRAULIC KNOCKOUT PUNCH KITS

Standard Round Manual Industrial Punch Kit (continued)



- Fast, easy and simple to operate.
- Compact design for field use on construction sites and maintenance jobs.
- Punches 10 times faster than wrench method.
- Will also drive 751 Cable Cutter head.
- Can be used with most standard round Slug-Buster® and Slug-Splitter SC™ punches (not 1/2", 9/16", 5/8").
- Can be used with non-round punches (adapter may be required).
- 3-foot hose
- Powerful 11-ton hydraulic ram.

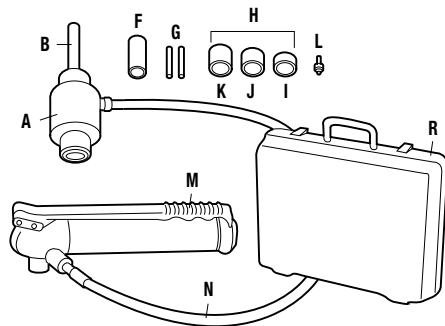
CAT NO.	UPC NO.	DESCRIPTION	WEIGHT	
			LBS.	KG.
7306	15909	Driver, Hand Pump, Standard Punches, Dies and Draw Studs for 1/2" through 2" Conduit, Plastic Case	24	10.9
7310	15910	Driver, Hand Pump, Standard Punches, Dies and Draw Studs and Spacers for 1/2" through 4" Conduit, Plastic Case	54	24.5
7646Pg	27433	Metric – Driver, Hand Pump, Standard Pg Punches, Dies and Draw Studs and Spacers for 15.2 mm through 60.0 mm, Plastic Case	24	10.9
7304	02815	Standard Punch and Die Kit (no draw studs) for 2-1/2" through 4" Conduit, Plastic Case	21	9.5
38456	38456	Driver, Hand Pump, Standard Punches, Dies and Draw Studs and Spacers for 1/2" through 3" and 4" Conduit, Plastic Case	48.4	22

STEEL CAPACITIES FOR CONDUIT SIZES

REQUIRED DRAW STUD AND ACCESSORIES	STANDARD PUNCHES AND SLUG-BUSTER®									
	1/2"	3/4"	1"	1-1/4"	1-1/2"	2"	2-1/2"	3"	3-1/2"	4"
3/4" Stud (2113B), 3/8" Stud (20963) & Spacers										
3/4" Stud (2113B), Long Spacer										
3/4" Stud (2113B), Short Spacer										
3/4" Stud (2113B)										
3/4" Stud (2113B), & Sleeve (03170)										

10 GA. MILD STEEL

RAM AND HAND PUMP HYDRAULIC DRIVER PARTS IDENTIFICATION



KEY	CAT. NO.	UPC NO.	DESCRIPTION
R	A	746	Ram (includes Item B)
R	B	2113B	Draw Stud–3/4" x 5 3/8"
R	F	1557AA	Punch Sleeve
R	G	20963	Draw Stud–3/8" x 4.8"
R	H	15908	Spacer Group (includes Items I, J and K)
R	I	1924AA	Spacer-Short
R	J	1925AA	Spacer-Medium
R	K	1926AA	Spacer-Long
R	L	34410	Kwik Stepper® Step Bit 1/2"
R	M	767	Hydraulic Hand Pump
R	N	06302	High Pressure Hose–1/4" x 3'
R	R	30206	Plastic Case