

MEETING ROOM TRANSITION CHANNEL



Wiremold® Meeting Room Transition Channel (MRTC) is an integral component in a “last meter” solution for bringing power and technology closer to the user’s work area.

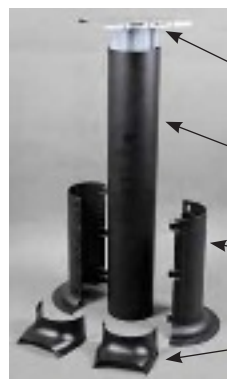
CODE REFERENCE

UTCM is not UL Listed and is designed only for use in protecting electrical cords, low voltage wiring and cabling.

MRTC Meeting Room Transition Channel Kit



Consists of aluminum center spine with steel mounting plate and four (4) screws, black aluminum side channels, black nonmetallic bottom boot and two (2) black nonmetallic transition covers.

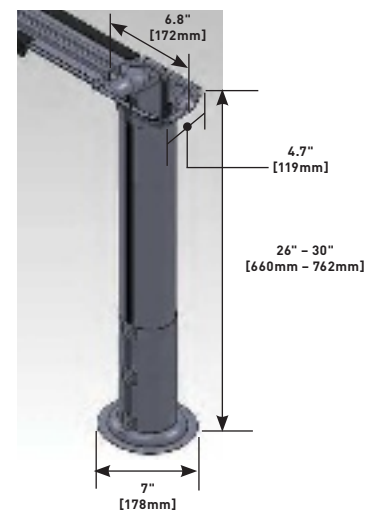


Center Spine with
Mounting Plate

Side Channel

Bottom Boot

Transition Cover



COLOR OPTIONS



Meeting Room Transition Channel components are available in a black finish.