

Pad-Mount Type 3R Enclosures and Accessories

Insect Screens

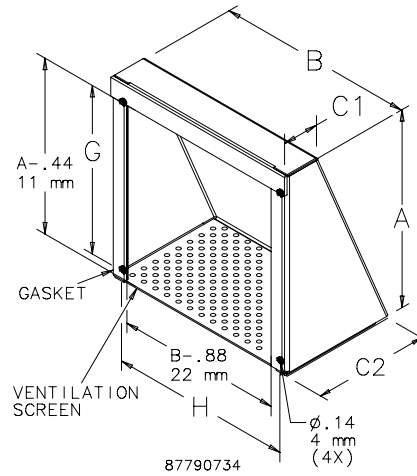
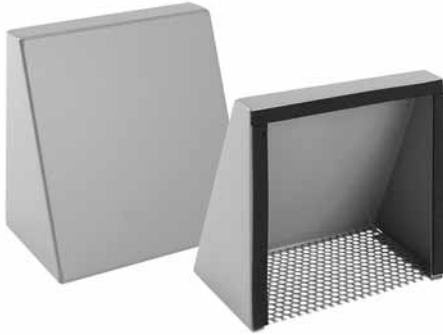


Fastens over ventilation slot with two screws provided. Requires one for single-door enclosure and two for two-door enclosure. Purchase insect screens separately.

Bulletin: A3PM

Catalog Number	Description	Requires
A3PMIS	Insect Screen	One for one-door enclosure and two for two-door enclosure

Fan Shroud Kits



Fan shroud kits are available for outdoor enclosure applications requiring Type 3R ventilation protection from falling rain, sleet and snow.

Bulletin: D85

Catalog Number	Material	Height x Width (in.)	Height x Width (mm)
T453R	Steel	6.00 x 6.00	152 x 152
T653R	Steel	8.00 x 8.00	203 x 203
T1053R	Steel	12.00 x 12.00	305 x 305
T453RSS	Stainless Steel	6.00 x 6.00	152 x 152
T653RSS	Stainless Steel	8.00 x 8.00	203 x 203
T1053RSS	Stainless Steel	12.00 x 12.00	305 x 305