

Sunnata LED+ Dimmer

Touch dimmer with advanced technology for dimming LED, CFL, Incandescent, and Halogen bulbs.

Features

- Touch dimmer with on/off paddle switch that fits in a standard designer wallplate opening.
- Advanced dimming technology designed for compatibility with a broad range of high efficacy bulbs.
- UL® Listed to control:
 - Dimmable LED with integrated driver
 - Halogen
 - Incandescent
 - Dimmable Compact Fluorescent Lamps (CFLs) with integrated ballast
- Low-end and high-end adjustments to accommodate a wide range of bulbs.
- No neutral required for wiring into any home.
- Can be used in single-pole or 3-way mechanical switch¹ applications.
- Coordinating Claro and Stainless Steel wallplates available separately.
- 100% factory tested.
- NEMA SSL-7A Compliant.

Product Specific Features

- Capable of controlling up to 150 W Dimmable LED/CFL or 600 W Incandescent/Halogen or mixed bulb type per **Multigang and Mixed Bulb Type Ratings** table (see page 3).



Wallplate sold separately

Model Number

STCL-153P-XX^{2,3} Single-pole/3-way¹

STCL-153P-XX-C^{2,3,4} Single-pole/3-way¹

Notes:

¹ An additional wiring step is required for 3-way mechanical switch applications. Not for use in 4-way mechanical switch applications. Not compatible with Lutron Maestro accessory dimmers.

² "XX" Color codes, see section "Colors and Finishes" on the next page.

³ For clamshell packaging add "H" after "153P".

⁴ For clamshell packaged product for Canada add "C" after the color code.

LUTRON SPECIFICATION SUBMITTAL

Page

Job Name:	Model Numbers:
Job Number:	

Specifications

Regulatory Approvals

- UL® Listed to U.S. and Canadian safety requirements (UL 1472/CSA C22.2 184.1)
- NOM

Power and Ratings

- 120 V~ 60 Hz
- Maximum Load
 - 150 W Dimmable LED/CFL
 - or**
 - 600 W Incandescent/Halogen
 - or**
 - Mixed bulb type per **Multigang and Mixed Bulb Type Ratings** table (see page 3)
- Minimum Load
 - Visit the online tool at lutron.com/LEDfinder for LED/CFL
 - or**
 - 25 W Incandescent/Halogen

Environment

- For indoor use only
- Operating temperatures 32 °F (0 °C) to 104 °F (40 °C)

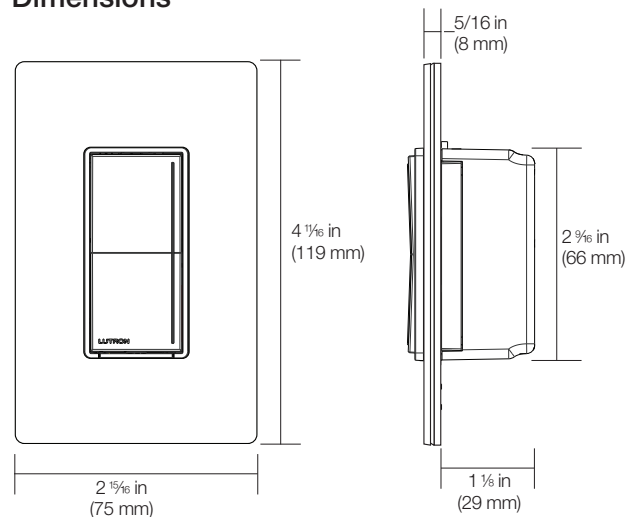
Performance

- Power-failure memory
- Touch dimmer to go to any light level
- Electrostatic discharge tested
- Precise color matching
- Includes a Front Accessible Service Switch (FASS) for safe bulb replacement

Application Requirements

- **When using LEDs or CFLs, only bulbs marked or rated as Dimmable can be used.**
- To access our mobile friendly online tool of DIMMABLE LEDs and CFLs visit www.lutron.com/LEDfinder

Dimensions



Note: Requires a U.S. wallbox 2 1/4 in (57 mm) deep minimum.

Warranty

- 1 Year Limited Warranty.
For additional Warranty information, please visit www.lutron.com/TechnicalDocumentLibrary/369-119_Wallbox_Warranty.pdf

Colors and Finishes

Gloss Finishes



WH	White
IV	Ivory
LA	Light Almond
BL	Black

Job Name:

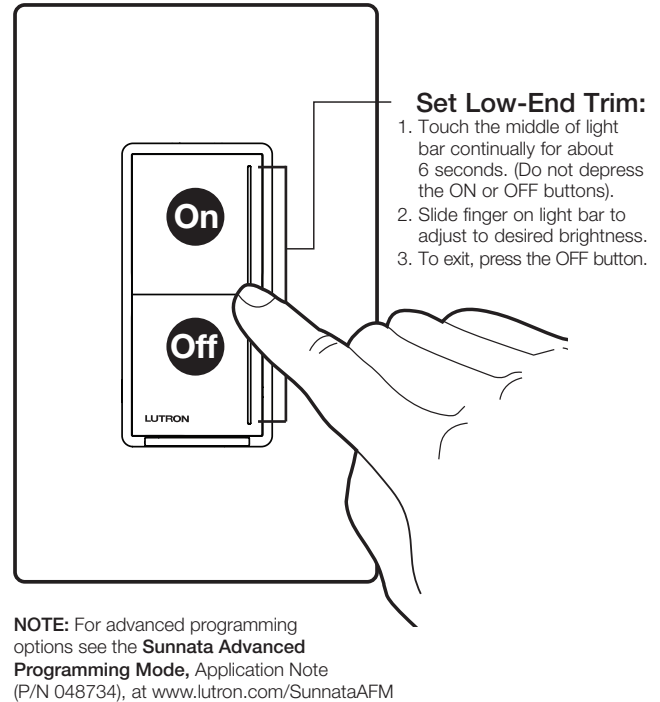
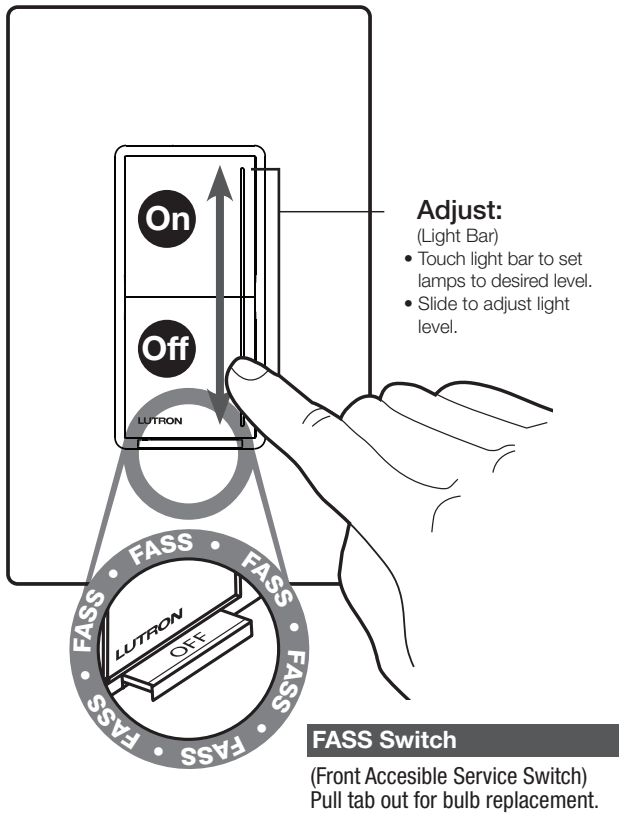
Model Numbers:

Job Number:

Multigang and Mixed-Bulb-Type Ratings

Total LED•CFL Wattage Installed (Watts per bulb X # of bulbs)	 	Maximum Allowable Incandescent / Halogen Wattage		
		Single Gang	Middle of Gang	End of Gang
0 W	+	600 W	500 W	400 W
1 W – 25 W	+	500 W	400 W	300 W
26 W – 50 W	+	400 W	300 W	200 W
51 W – 75 W	+	300 W	200 W	100 W
76 W – 100 W	+	200 W	100 W	50 W
101 W – 125 W	+	100 W	50 W	0 W
126 W – 150 W	+	0 W	0 W	0 W

Operation



For videos and step by step instructions, please see www.lutron.com/wiringwizard

Job Name:	Model Numbers:
Job Number:	

Sunnata Advanced Programming Mode (APM)

Sunnata dimmers contain an Advanced Programming Mode (APM) that allows users to customize the control to meet their specific needs. Before entering APM, it is important to have a good understanding of the advanced features.

Explanation of Advanced Features

- **High-End Trim:** Adjust the maximum light level of the load.
- **Low-End Trim:** Adjust the minimum light level of the load.
- **Idle/Nightlight:** Select between ON and OFF for the Light Bar when not interacting with the control.
- **Light Bar Brightness:** Select between high, medium, and low brightness of the control's light bar.
- **Preset Light Level:** Change the behavior of the device when the ON button is pressed from the OFF state to ON.
- **Restore Factory Default Settings:** Return the control to its original settings.

Default Settings

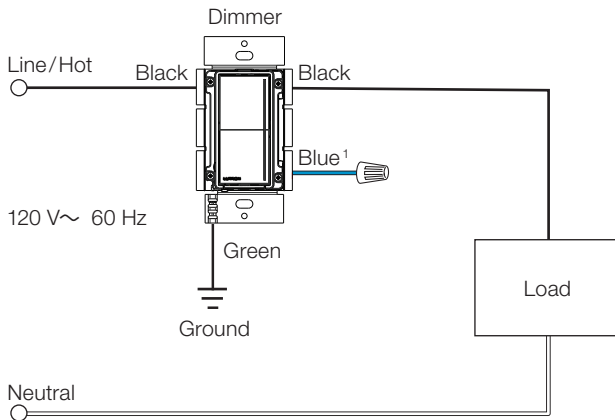
Feature	Default
High-end Trim	~114 V~
Low-end Trim	~22 V
Idle/Nightlight	ON/ON
Light Bar Brightness	Medium brightness
Preset Light Level	Pressing the ON button always sets the lights to full (locked preset at high-end)

Please refer to the **Sunnata Advanced Programming Mode Application Note** (P/N 048734) at www.lutron.com/SunnataAFM for more information.

Job Name:	Model Numbers:
Job Number:	

Wiring Diagrams

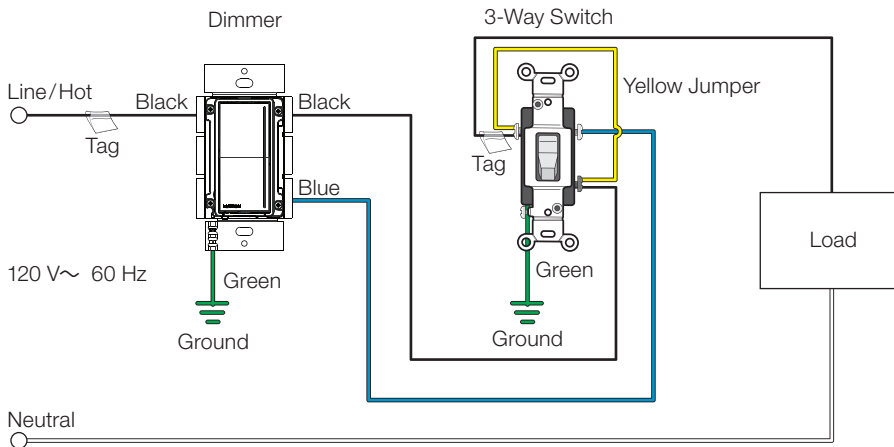
Single Pole Wiring



¹ When using controls in single location installations, cap the blue terminal with a wirenut. Do not connect the blue wire to any other wiring or to ground.

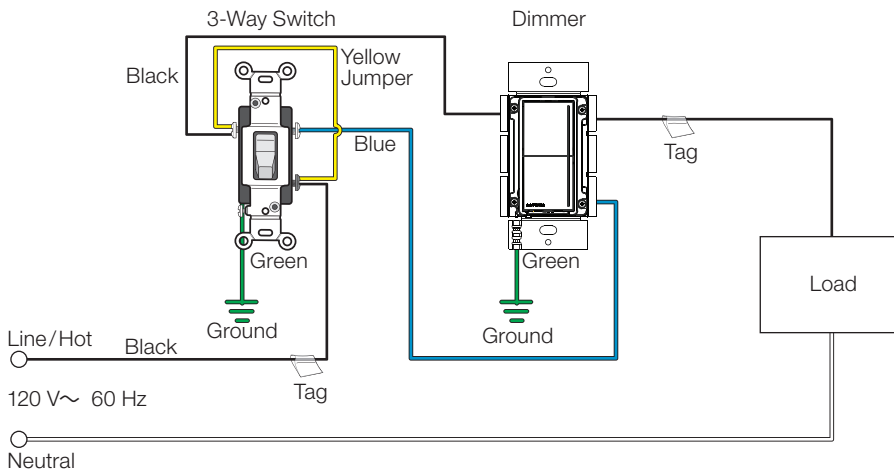
3-Way Wiring (Using 3-Way Mechanical Switch)

Dimmer Line Side



Note: Dimmer can be installed on the line side or load side of the circuit. Not compatible with Lutron accessory switches or dimmers.

Dimmer Load Side



Lutron, Lutron, FASS, LED+, and Sunnata are trademarks or registered trademarks of Lutron Electronics Co., Inc. in the US and/or other countries. UL is a trademark of UL LLC.

Job Name:	Model Numbers:
Job Number:	