



2-230 Mini Aurora HAL



Designed for small spaces, the Die-cast Mini Aurora's black baffle controls glare at close quarters.

DETAILS

Trim Class: 2"
Category: Accent & Cabinet
Shape: Round
Adjustability: Fixed

FEATURES

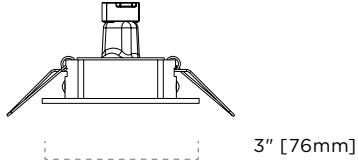
- Utilizes MR11 halogen
- Die-cast aluminum
- Accepts 1 optional media
- Clear glass lens included
- Trim clips designed for 5/8" ceiling thickness
- Max 20W without high wattage can option, requires R12S socket (sold separately)
- Max 35W when installed with the high wattage can option, includes R12S socket
- Powered by 12V class 2 electronic transformer (sold separately)
- Clearance required above the trim (see install sheet)
- Designed for non-insulated ceilings only



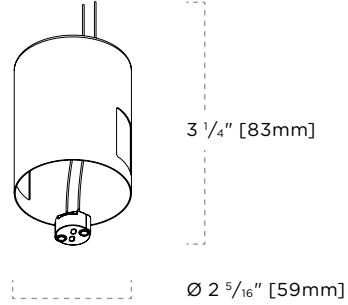
2-230-Mini-Aurora-HAL-Specs • Subject to change without notice • Rev 2017.09.26 • 1/3

Features & Lighting

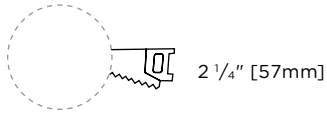
DIMENSIONS



HIGH WATTAGE CAN (OPTIONAL)



CEILING CUTOUT



FLANGE FINISHES

- White
- Chrome Plated
- Black
- Matte Silver
- Bronze
- Gold Plated
- Matte Nickel

2-230

Mini Aurora HAL

Project

Type

Notes

Product Code

1 2 3

1. Trim

2-230 Mini Aurora

2. Flange Finish

- 01** White
- 02** Chrome Plated
- 04** Black
- 05** Matte Silver
- 06** Bronze
- 09** Gold Plated
- 11** Matte Nickel

3. Options

2-050-RT High Wattage Can