

2-220 Mini Turno HAL



Adjustable spotlighting in extremely tight spaces calls for a Mini Turno. The fixture supports a vertical Tilt capability to focus its light specifically.

DETAILS

Trim Class: 2"
Category: Accent & Cabinet
Shape: Round
Adjustability: Tilt

FEATURES

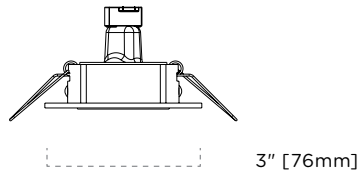
- Utilizes MR11 halogen
- Die-cast aluminum
- 20° aiming
- Accepts 1 optional media
- Clear glass lens included
- Trim clips designed for 5/8" ceiling thickness
- Max 20W without high wattage can option, requires R12S socket (sold separately)
- Max 35W when installed with the high wattage can option, includes R12S socket
- Powered by 12V class 2 electronic transformer (sold separately)
- Clearance required above the trim (see install sheet)
- Designed for non-insulated ceilings only



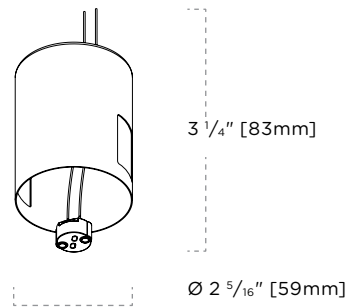
2-220-Mini-Turno-HAL-Specs • Subject to change without notice • Rev 2017.09.26 • 1/3

Features & Lighting

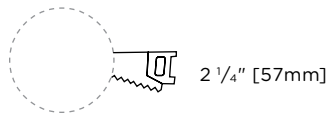
DIMENSIONS



HIGH WATTAGE CAN (OPTIONAL)



CEILING CUTOUT



FLANGE FINISH

- White
- Chrome Plated
- Black
- Matte Silver
- Bronze
- Gold Plated
- Matte Nickel

2-220 Mini Turno HAL

Project

Type

Notes

Product Code

1 2 3 4

1. Trim

2-220 Mini Turno

2. Lamp

MR11 Halogen

3. Flange Finish

01 White

02 Chrome Plated

04 Black

05 Matte Silver

06 Bronze

09 Gold Plated

11 Matte Nickel

4. Options

2-050-RT High Wattage Can

2-220-Mini-Turno-HAL-Specs • Subject to change without notice • Rev 2017.09.26 • 3/3
