



Project: _____

Fixture Type: _____

Location: _____

Contact/Phone: _____

PRODUCT DESCRIPTION

The LMSW Mini LED step light is designed for installation in outdoor or indoor wall mount applications using standard junction boxes (not supplied) • IC rated for direct contact with insulating materials • Four distinct optics conceal LEDs and provide unique light distribution patterns • Modular design allows fixture to be mounted in horizontal or vertical orientation • Ideal for residential or commercial applications • Designed to provide 50,000 hours of life • 5 year warranty on LED components.

ENVIRONMENTALLY FRIENDLY, ENERGY EFFICIENT

- No harmful ultraviolet or infrared wavelengths
- No lead or mercury

PRODUCT SPECIFICATIONS

LED Light Engine Utilizes two 1-watt high lumen LEDs binned to Energy Star standards • 3000K or 4000K color temperatures are available • Mounted directly to aluminum heat sink for superior thermal management.

Optics Available in hood, cutoff, louver, and marker optics to conceal LEDs and provide four unique light distribution patterns • Fixture provided in vertical orientation from factory.

Faceplates May be mounted in vertical (as provided from factory) or horizontal orientation • Fastens using 0.05 allen wrench provided with fixtures • Available in textured silver, bronze, black and white corrosion resistant paint.

LED Driver Accommodates an input voltage of 120 VAC at 60Hz • Power factor > 0.9 at 120V input • Driver is dimmable with the use of Juno qualified 120V electronic low voltage dimmers.

Mounting Designed to mount directly in standard J-Boxes: 2" x 4" (2 1/8" minimum depth) or 4" x 4" (1 1/2" minimum depth) fitted with a single-gang plaster ring 5/8" minimum depth • Modular design allows fixture to be mounted in horizontal or vertical orientation • J-Boxes and plaster ring are not provided • Gasketed to seal against intrusion of water and other contaminants in wet locations.

Life Rated for 50,000 hours at 70% Lumen Maintenance.

Labels UL listed for wet locations and through-branch wiring, maximum 4 No. 12 AWG 75° C through branch circuit conductors for 2 x 4 junction box or maximum 8 No. 12 AWG 75° C through branch circuit conductors for 4 x 4 junction box • UL and cUL Listed, RoHS compliant • IP65 rated.

Testing All reports are based on published industry procedures; field performance may differ from laboratory performance.

Specifications subject to change without notice.

ELECTRICAL DATA

| | |
|-----------------------|--------------|
| Input Voltage | 120V |
| Input Power | 2.6W |
| Input Current | 0.03A |
| Frequency | 60Hz |
| Minimum starting temp | -20°C (-4°F) |

MINI LED STEP LIGHT OUTDOOR/WET LOCATION

IP65

LED
LMS (WL)

CUTOFF
(VERTICAL ORIENTATION)



HOOD
(HORIZONTAL ORIENTATION)

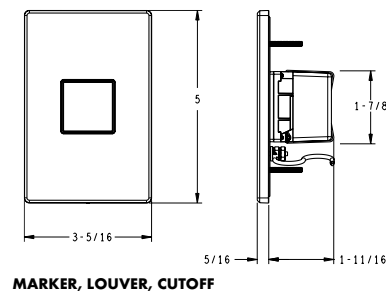
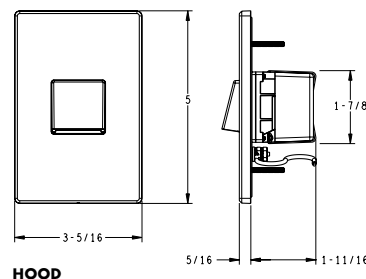


LOUVER
(HORIZONTAL ORIENTATION)



MARKER
(VERTICAL ORIENTATION)

DIMENSIONS



Note: Vertical orientation shown. All fixtures can be mounted in vertical or horizontal orientation.

DIMMER COMPATIBILITY

- Requires 120V AC electronic low voltage wall box dimmer
- Electronic low voltage dimmers require a neutral wire in the wall box • 100% to 20% or better dimming range depending on dimmer model with one fixture load minimum to maximum rated load for dimmer.

Juno qualified dimmers include:

| Lutron® Model Numbers: | Leviton® Model Numbers: |
|----------------------------------|---------------------------|
| Nova T [☆] NTELV Series | Illumatech™ IPE04 Series |
| Skylark® SELV Series | (dimmer has manual trim |
| Divva® DVELV Series | adjustment for low end of |
| Maestro® MAELV Series | dimming range to achieve |
| Faedra® FAELV Series | 5% dimming) |
| Spacer System® SPSELV Series | |

MINI LED STEP LIGHT

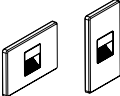
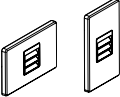
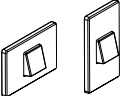
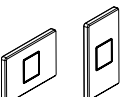
OUTDOOR/WET LOCATION

LED

LMS (WL)

ORDERING INFORMATION

Example: **LMS 30K LVR 120 RPC WL WH**

| Housing | Color Temperature | Optic | Voltage | Driver | Environment | Finishes |
|------------|--------------------------------------|--|-----------------|------------------------------|------------------------|--|
| LMS | 30K 3000K 40K 4000K | CTO Cutoff  LVR Louver  HD Hood  MKR Marker  | 120 120V | RPC Reverse Phase Cut | WL Wet Location | BL Black, Textured WH White, Textured BZ Bronze, Textured SR Silver, Textured |