

Samba II



INSTALLATION AND CONNECTION

Recommended installation height 30 cm (12 in).

Clearances

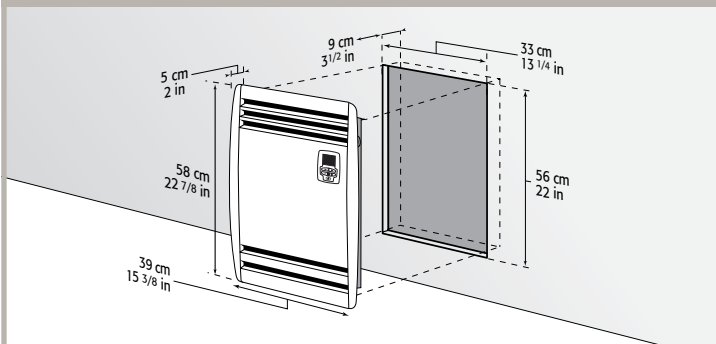
- Front: 60 cm (24 in) ◀ Sides: 10 cm (4 in)
- ▲ Above: 50 cm (20 in) ▼ Underneath: 10 cm (4 in).

Installation Built into the wall between studs (minimum distance: 33 cm (13 1/4 in) centre)

Depth required: 9 cm (3 1/2 in) including wall surface.

Connection 240-V unit: Direct connection through bottom of unit. Removable front panel; installation and wiring through the front.

Note 3-conductor cable or 2-conductor cable with a third wire should be used if unit is to be linked with the Convectair Programmer module (7392 FP).



HEATING ELEMENTS

Total capacity 2000 W



Convection (1000 W) X-shaped, monoblock element made of surface-treated extruded aluminum.

Fan-forced heat on demand (1000 W). Low-thermal-mass heating element combined with low-pressure tangential blower.

Thermal protection - Convection Automatic reset overheat protection.

- **Fan-forced heat** with resettable overheat protection, activated by interrupting the power supply.

TEMPERATURE CONTROL



Electronic thermostat with backlit LCD display. Built-in 2-stage electronic proportional-action thermostat ultraprecise to 1/10° C (1/5° F) for convection heating.

A drop of 3° C (5° F) in room temperature will automatically start the quick fan-forced heat option.

Timer 5-90 minute resettable electronic timer for quick heating.

Programmer Programmer-compatible, pilot wire only.

CONTROL PANEL



Select unit of temperature in °C or °F by key combination.

Location Front panel.

LCD backlit screen with controls lockable by key combination.

On/Off button with indicator light.

Timer button with indicator light.

24-hr button with indicator light stores the Chrono setting, for daily bathroom preheating.

« + and - » buttons control the temperature setting.

Locked indicator light.

Heating indicator light.

CABINET



Steel construction with polyester/epoxy anti-rust powder coating and resistant to UV rays.

Cabinet with thin profile splash-proof construction with rounded edges, for a safe installation in the bathroom.

Louvres Front-louvered air outlet that hides the unit interior and directs heat towards the centre of the room.

Colour BB = White.

MODEL	Catalogue No.	Colour	Power		Height		Width		Depth		Net Weight	
			240 V	208 V	cm	in	cm	in	cm	in	kg	lb
SAMBA II ②	7837-C20	BB	*1 000 -2 000 W		58	22 7/8	39	15 3/8	5	2	10	22
*Convection 1 000 W; Fan-forced heat 1 000 W.			Dimensions of enclosure box		55	21 5/8	33	13	8,5	3 3/8	-	-

The visible thickness on the wall is 5 cm (2 in); the total thickness including the enclosure box is 13,5 cm (5 3/8 in).

② Compatible with the Programmer pilot-wire system (see technical specifications for catalogue number 7392).

For guaranteed, dependable operation, we recommend that all units be installed by a licensed electrical contractor in accordance with national and local codes. Consult convectair.com to find the most recent installation instructions for our heaters.

