

Date: _____
 In hands date of project: _____
 Project name/Number: _____
 Name of distributor: _____
 Client #: _____
 Name of end user: _____



ORDERING INFORMATION

Order code: 66174
 Description: LSW/4FT/34W/40K/120-277/A1/STD
 UPC: 69549661745
 Case quantity: 1

FEATURES AND SPECIFICATIONS

Applications: Designed for commercial applications
 Mounting option: Pendant, surface or suspended
 Lens material: Frosted PMMA
 Housing material: Steel (White)
 DLC: DLC Premium

FIXTURE PERFORMANCE

Volts (VAC): 120-277
 Frequency (Hz): 50/60
 Watts (W): 34
 Colour temperature (K): 4 000
 CRI: 80
 Life L90 (hrs): 36 000
 Life L70 (hrs): 50 000
 Lumens (lm): 4 420
 Efficacy (LPW): 130
 Beam angle (°): 120
 Dimmable: 0-10 V
 Operating Temperature (range): -30°C to 50°C
 Input Current (A): 0.21
 Output Current (mA): 950
 Surge protection (kV): 2.5



CAN ICES-005 (A) This lighting equipment complies with Canadian standard ICES-005; for use in commercial applications.

POWER FACTOR (PF)

0.9

TOTAL HARMONIC DISTORTION (THD)

<10%

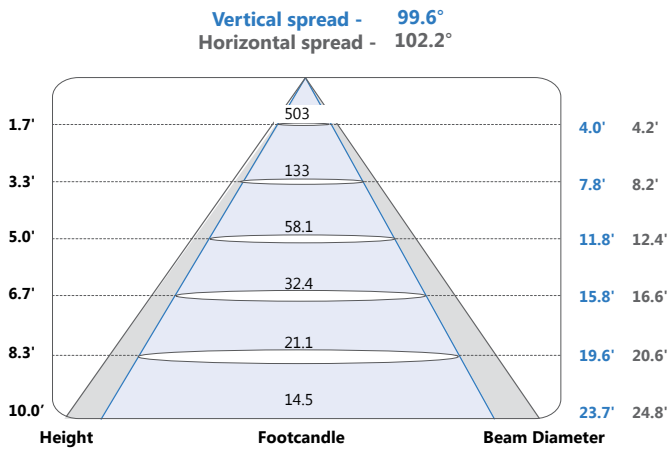
Data is based upon tests performed in a controlled environment and representative of relative performance. Actual performance can vary depending on operating conditions. Specifications are subject to change without notice.

November 16, 2017

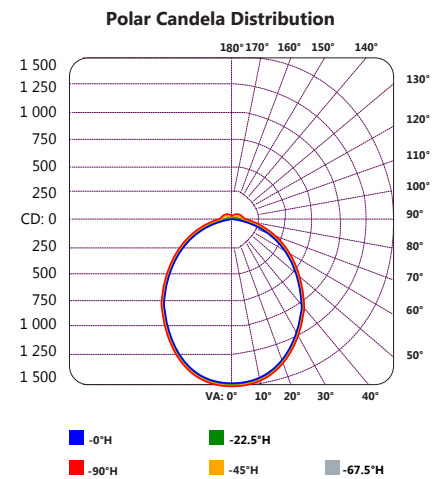
ORDERING INFORMATION

Order code: 66174
 Description: LSW/4FT/34W/40K/120-277/A1/STD
 UPC: 69549661745
 Case quantity: 1

PHOTOMETRICS - BEAM SPREAD*



PHOTOMETRICS - CANDELA DISTRIBUTION*



COEFFICIENTS OF UTILIZATION (ZONAL CAVITY METHOD)*

RCC %:	80				70				50				30				10				0
RW %:	70	50	30	0	70	50	30	0	50	30	20	0	50	30	20	0	50	30	20	0	0
RCR: 0	1.17	1.17	1.17	1.17	1.14	1.14	1.14	.93	1.07	1.07	1.07	1.07	1.01	1.01	1.01	1.01	.96	.96	.96	.93	.93
1	1.07	1.02	.97	.94	1.03	.99	.95	.78	.93	.90	.87	.87	.88	.86	.83	.83	.84	.82	.80	.77	.77
2	.97	.89	.82	.76	.94	.86	.80	.66	.82	.77	.72	.72	.77	.73	.69	.69	.74	.70	.67	.64	.64
3	.89	.78	.70	.64	.86	.76	.69	.56	.72	.66	.61	.61	.69	.63	.59	.59	.65	.61	.57	.54	.54
4	.81	.69	.61	.54	.78	.68	.60	.48	.64	.57	.52	.52	.61	.55	.50	.50	.58	.53	.49	.47	.47
5	.75	.62	.53	.47	.72	.61	.52	.42	.58	.51	.45	.45	.55	.49	.44	.44	.53	.47	.43	.41	.41
6	.69	.56	.47	.41	.67	.55	.46	.37	.52	.45	.40	.40	.50	.44	.39	.39	.48	.42	.38	.36	.36
7	.64	.51	.42	.36	.62	.50	.42	.33	.48	.40	.35	.35	.46	.39	.34	.34	.44	.38	.34	.32	.32
8	.60	.46	.38	.32	.58	.45	.38	.30	.44	.36	.31	.31	.42	.35	.31	.31	.40	.35	.30	.28	.28
9	.56	.43	.35	.29	.54	.42	.34	.27	.40	.33	.28	.28	.39	.32	.28	.28	.37	.32	.27	.26	.26
10	.52	.39	.32	.26	.51	.39	.31	.25	.37	.30	.26	.26	.36	.30	.25	.25	.35	.29	.25	.23	.23

* complete IES files available on our website.

Data is based upon tests performed in a controlled environment and representative of relative performance. Actual performance can vary depending on operating conditions. Specifications are subject to change without notice.

November 16, 2017

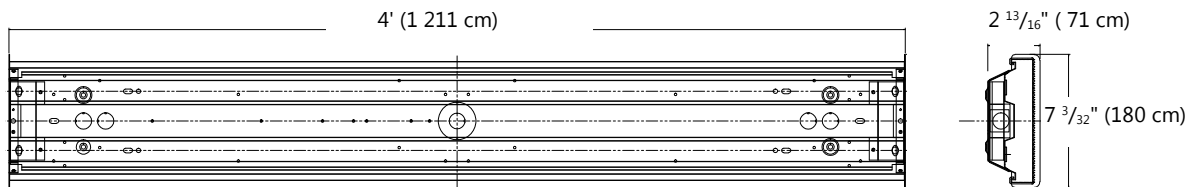
ORDERING INFORMATION

Order code: 66174
 Description: LSW/4FT/34W/40K/120-277/A1/STD
 UPC: 69549661745
 Case quantity: 1

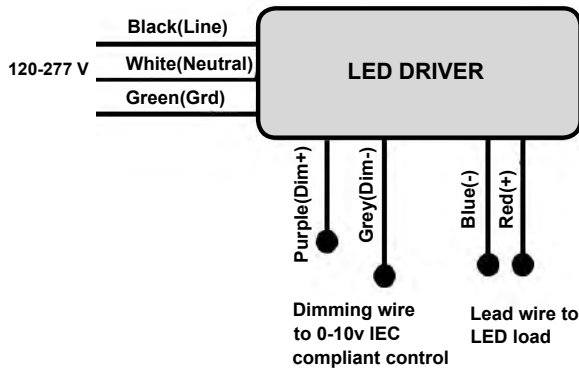
DIMENSIONS

Length: 4' (1 211 cm)
 Width: 7 ³/₃₂" (180 cm)
 Depth: 2 ¹³/₁₆" (71 cm)

TECHNICAL DRAWING



WIRING DIAGRAM



Qty	Description	Price

I accept the specifications of the luminaire configuration mentioned above.

Name: _____
 Company: _____
 Signature: _____

Date: _____

Data is based upon tests performed in a controlled environment and representative of relative performance. Actual performance can vary depending on operating conditions. Specifications are subject to change without notice.