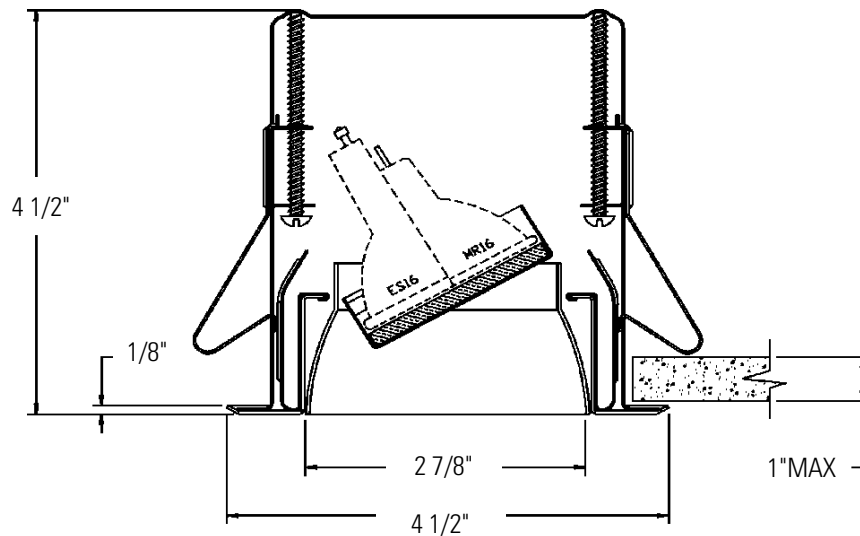


LytePoints 3 3/4", MR16 & ES/ESD16, Aperture Adjustable Specular Cone



Complete fixture consists of Reflector Trim & Frame-In Kit. Select each separately

Reflector Trim	Frame-In Kit	Lamp
304BAX Specular Black Specular and White Flange	Remodeler 300MRSPX	50W MR16
304CLX Specular Clear Specular and White Flange	Remodeler 3401MREX	50W MR16
304CCDX Specular Comfort Clear Diffuse Specular and White Flange	Remodeler 300ESX	50W ES/ESD16 (GZ10)
	Non-IC 302MRSPX	50W MR16
	Non-IC 302MREX	50W MR16
	Non-IC 302ESX	50W ES/ESD16 (GZ10)
	IC 302MRC7SPX*	50W MR16 (37W MR16*)
	IC 302MRC9SPX	50W MR16
	IC 302ESICX	50W ES/ESD16 (GZ10)
	Air Seal / IC 302MRAICSPX	50W MR16
	Air Seal / IC 302MRAICEX	50W MR16
	Air Seal / IC 302ESAICX	50W ES/ESD16 (GZ10)

Features

- Housing:** 25ga. galvanized steel.
- Residence Mounting Clip:** Factory-installed ; zinc plated spring steel; free-hand installation.
- Flange Housing:** Cold rolled steel 22ga. White trim flange.
- Aperture Cone:** 18ga. hydroformed aluminum. Specular finish.
- Adjustable Lampholder Support:** 27ga. steel ; Rotates 358° horizontally and 0° to 35° vertically.
- Mounting Clips (2):** 24ga. spring steel, zinc plated. Provide easy snap-in / snap-out action.
- Lamp Guard:** 2" (51mm) dia. borosilicate glass.

Frame-In Kit

Note: For complete Frame-In Kit specifications, see 300 frame specification sheets.

* Self-Flanged trims 37W Max.

Labels

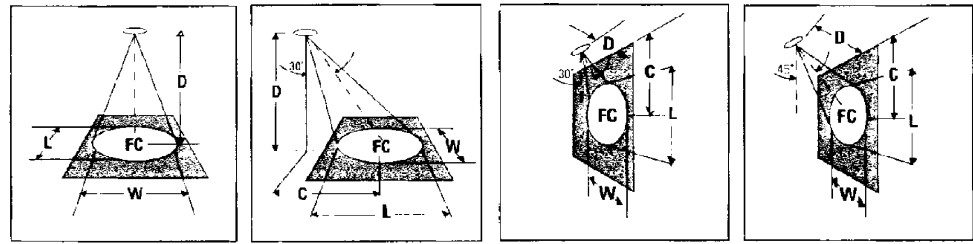
CSA, UL Suitable for damp locations.

Job Information	Type:
Job Name:	
Cat. No.:	
Lamp(s):	
Notes:	

LytePoints 3 3/4", MR16 & ES/ESD16, Aperture Adjustable Specular Cone

(FC) is initial footcandles at center of beam.
 Beam length (L) and beam width (W) are to
 where the candlepower is reduced to 50% of
 center beam candlepower.
CBCP is center beam candlepower.
 (C) is distance to the center of the beam.

Lamp data shown is typical, and is based on bare
 lamp photometrics. Contact lamp manufacturers for
 availability and performance.



Lamps	Beam Spread (To 50% CBCP)	CBCP	Rated Life (Hrs.)	0° AIMING ANGLE				30° AIMING ANGLE				30° AIMING ANGLE				45° AIMING ANGLE				
				D	FC	L	W	D	C	FC	L	W	D	C	FC	L	W	D	C	FC
MR-16 LOW VOLTAGE HALOGEN BI-PIN LAMPS																				
20W MR-16 VNSP (LZX)	7°	8200	3000	7' 167	0.9'	0.6'		6' 3.5'	148	1.0'	0.8'	2' 3.5'	256	1.0'	0.5'	4' 4.0'	161	1.0'	0.7'	
20W MR-16 NSP (ESX)	13°	3600	3000	10' 82	1.2'	1.2'		9' 5.2'	66	1.5'	1.3'	3' 5.2'	114	1.5'	0.7'	6' 6.0'	81	1.5'	1.0'	
20W MR-16 FL (BAB)	40°	525	4000	13' 49	1.6'	1.6'		12' 6.9'	37	2.0'	1.7'	4' 6.9'	64	2.0'	1.0'	8' 8.0'	45	2.0'	1.4'	
35W MR-16 NSP (RFB)	12°	3700	4000	16' 32	2.0'	2.0'		15' 8.7'	24	2.3'	2.1'	5' 8.7'	41	2.5'	1.2'	10' 10.0'	29	2.5'	1.7'	
35W MR-16 SP (FRA)	20°	3900	4000	6' 100	1.4'	1.4'		5' 2.9'	94	1.5'	1.3'	2' 3.5'	113	1.9'	0.9'	3' 3.0'	141	1.4'	1.0'	
35W MR-16 FL (FMW)	40°	1600	4000	8' 56	1.8'	1.8'		7' 4.0'	48	2.1'	1.8'	3' 5.2'	50	2.8'	1.4'	5' 5.0'	51	2.3'	1.6'	
37W MR-16 IR (NSP)	10°	11500	4000	10' 36	2.3'	2.3'		9' 5.2'	29	2.7'	2.4'	4' 6.9'	28	3.8'	1.8'	7' 7.0'	26	3.2'	2.3'	
37W MR-16 IR (NFL)	25°	3500	4000	12' 25	2.7'	2.7'		11' 6.4'	19	3.4'	2.9'	5' 8.7'	18	4.7'	2.3'	9' 9.0'	16	4.2'	2.9'	
37W MR-16 IR (FL)	40°	2053	4000	2' 131	1.5'	1.5'		2' 1.2'	85	2.0'	1.7'	1' 1.7'	66	4.8'	1.5'	2' 2.0'	46	3.4'	2.1'	
42W MR-16 VNSP (EZY)	9°	13,100	3500	3' 58	2.2'	2.2'		3' 1.7'	38	3.0'	2.5'	2' 3.5'	16	9.7'	2.9'	3' 3.0'	21	5.0'	3.1'	
42W MR-16 NFL (EYS)	27°	2400	4000	4' 33	2.9'	2.9'		4' 2.3'	21	4.1'	3.4'	3' 5.2'	7	14.5'	4.4'	4' 4.0'	12	6.7'	4.1'	
				5' 21	3.5'	3.6'		5' 2.9'	14	5.1'	4.2'	4' 6.9'	4	19.3'	5.8'	5' 5.0'	7	8.4'	5.1'	
				7' 178	1.5'	1.5'		6' 3.5'	157	1.7'	1.5'	2' 3.5'	272	1.7'	0.8'	4' 4.0'	192	1.7'	1.2'	
				10' 87	2.1'	2.1'		9' 5.2'	70	2.5'	2.2'	3' 5.2'	121	2.6'	1.3'	6' 6.0'	85	2.6'	1.8'	
				13' 51	2.7'	2.7'		12' 6.9'	39	3.4'	2.9'	4' 6.9'	68	3.5'	1.7'	8' 8.0'	48	3.4'	2.4'	
				16' 34	3.4'	3.4'		15' 8.7'	25	4.2'	3.6'	5' 8.7'	44	4.3'	2.1'	10' 10.0'	31	4.3'	3.0'	
				6' 108	2.1'	2.1'		5' 2.9'	101	2.4'	2.3'	2' 3.5'	122	3.1'	1.4'	3' 3.0'	153	2.2'	1.5'	
				8' 61	2.8'	2.8'		7' 4.0'	52	3.3'	2.9'	3' 5.2'	54	4.7'	2.1'	5' 5.0'	55	3.6'	2.5'	
				10' 39	3.5'	3.5'		9' 5.2'	31	4.3'	3.7'	4' 6.9'	30	6.2'	2.8'	7' 7.0'	28	5.1'	3.5'	
				12' 27	4.2'	4.2'		11' 6.4'	21	5.2'	4.5'	5' 8.7'	20	7.8'	3.5'	9' 9.0'	17	6.6'	4.5'	
				4' 100	2.9'	2.9'		3' 1.7'	115	3.0'	2.5'	1' 1.7'	200	4.8'	1.5'	3' 3.0'	63	5.0'	3.1'	
				6' 44	4.4'	4.4'		5' 2.9'	42	5.1'	4.2'	2' 3.5'	50	9.7'	2.9'	4' 4.0'	35	6.7'	4.1'	
				8' 26	5.8'	5.8'		7' 4.0'	21	7.1'	5.8'	3' 5.2'	22	14.5'	4.4'	5' 5.0'	23	8.4'	5.1'	
				10' 16	7.3'	7.3'		9' 5.2'	13	9.1'	7.6'	4' 6.9'	13	19.3'	5.8'	6' 6.0'	16	10.1'	6.2'	
				6' 180	1.4'	1.4'		7' 4.0'	152	1.6'	1.4'	3' 5.2'	160	2.1'	1.0'	5' 5.0'	163	1.8'	1.2'	
				12' 80	2.1'	2.1'		10' 5.8'	75	2.3'	2.0'	4' 6.9'	90	2.9'	1.4'	7' 7.0'	83	2.5'	1.7'	
				16' 45	2.8'	2.8'		13' 7.5'	44	3.0'	2.8'	5' 8.7'	58	3.6'	1.7'	9' 9.0'	50	3.2'	2.2'	
				20' 29	3.5'	3.5'		16' 9.2'	29	3.7'	3.2'	5' 10.4'	40	4.3'	2.1'	11' 11.0'	34	3.9'	2.7'	
				8' 97	2.7'	2.7'		5' 2.9'	91	3.0'	2.6'	2' 3.5'	109	4.2'	1.8'	3' 3.0'	137	2.8'	1.9'	
				8' 55	3.5'	3.5'		7' 4.0'	46	4.2'	3.8'	3' 5.2'	49	6.2'	2.7'	5' 5.0'	49	4.7'	3.1'	
				10' 35	4.4'	4.4'		9' 5.2'	28	5.4'	4.6'	4' 6.9'	27	8.3'	3.5'	7' 7.0'	25	6.5'	4.4'	
				12' 24	5.3'	5.3'		11' 6.4'	19	6.6'	5.6'	5' 8.7'	18'	10.4'	4.4'	9' 9.0'	15	8.4'	5.8'	
				4' 128	2.9'	2.9'		3' 1.7'	148	3.0'	2.5'	1' 1.7'	258	4.6'	1.5'	3' 3.0'	61	5.0'	3.1'	
				6' 57	4.4'	4.4'		5' 2.9'	53	5.1'	4.2'	2' 3.5'	64	9.7'	2.9'	4' 4.0'	45	6.7'	4.1'	
				8' 32	5.8'	5.8'		7' 4.0'	27	7.1'	5.9'	3' 5.2'	28	14.5'	4.4'	5' 5.0'	29	8.4'	5.1'	
				10' 21	7.3'	7.3'		9' 5.2'	18	9.1'	7.6'	4' 6.9'	15	19.3'	5.8'	6' 6.0'	20	10.1'	6.2'	
				8' 205	1.3'	1.3'		7' 4.0'	174	1.5'	1.3'	3' 5.2'	182	1.9'	0.9'	5' 5.0'	185	1.6'	1.1'	
				12' 91	1.9'	1.9'		10' 5.8'	85	2.1'	1.8'	4' 6.9'	102	2.6'	1.3'	7' 7.0'	95	2.2'	1.6'	
				16' 51	2.5'	2.5'		13' 7.5'	50	2.7'	2.4'	5' 8.7'	66	3.2'	1.5'	9' 9.0'	57	2.8'	2.0'	
				20' 33	3.1'	3.1'		16' 9.2'	33	3.4'	2.9'	6' 10.4'	45	3.8'	1.9'	11' 11.0'	38	3.5'	2.4'	
				4' 150	1.9'	1.9'		3' 1.7'	173	2.0'	1.7'	1' 1.7'	300	2.3'	1.0'	3' 3.0'	94	3.1'	2.0'	
				6' 67	2.9'	2.9'		5' 2.9'	62	3.3'	2.8'	2' 3.5'	75	4.6'	1.9'	4' 4.0'	53	4.1'	2.7'	
				8' 38	3.8'	3.8'		7' 4.0'	32	4.6'	3.9'	3' 5.2'	33	7.0'	2.9'	5' 5.0'	34	5.1'	3.4'	
				10' 24	4.8'	4.8'		9' 5.2'	19	5.9'	5.0'	4' 6.9'	19	9.3'	3.6'	6' 6.0'	24	6.1'	4.1'	



© 2013 Koninklijke Philips N.V. (Royal Philips). All rights reserved.
 Specifications are subject to change without notice.
www.philips.com/luminaires

304X 06/14

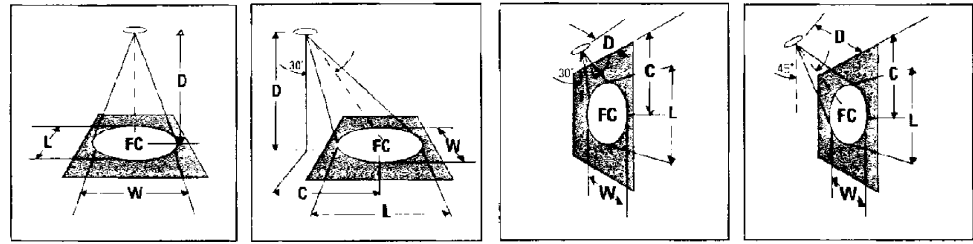
Philips Lighting Company
 200 Franklin Square Drive
 Somerset, NJ 08873
 Phone: 855-486-2216

Philips Lighting Company
 281 Hillmount Road
 Markham ON, Canada L6C 2S3
 Phone: 905-201-4100

LytePoints 3 3/4", MR16 & ES/ESD16, Aperture Adjustable Specular Cone

(FC) is initial footcandles at center of beam.
 Beam length (L) and beam width (W) are to
 where the candlepower is reduced to 50% of
 center beam candlepower.
CBCP is center beam candlepower.
 (C) is distance to the center of the beam.

Lamp data shown is typical, and is based on bare
 lamp photometrics. Contact lamp manufacturers for
 availability and performance.



Lamps	Beam Spread (To 50% CBCP)	CBCP	Rated Life (Hrs.)	0° AIMING ANGLE				30° AIMING ANGLE				30° AIMING ANGLE				45° AIMING ANGLE						
				D	FC	L	W	D	C	FC	L	W	D	C	FC	L	W	D	C	FC	L	W
MR-16 LOW VOLTAGE HALOGEN BI-PIN LAMPS																						
50W MR-16 NSP (LXT)	14°	10,200	4000	8'	159	2.0'	2.0'	7'	4.0'	135	2.3'	2.0'	3'	5.2'	142	3.1'	1.6'	5'	5.0'	144	2.5'	1.7'
				12'	71	2.9'	2.9'	10'	5.8'	66	3.3'	2.8'	4'	6.9'	80	4.1'	2.0'	7'	7.0'	74	3.5'	2.4'
				15'	40	3.8'	3.9'	13'	7.5'	39	4.3'	3.7'	5'	8.7'	51	5.1'	2.5'	9'	9.0'	45	4.5'	3.1'
				23'	25	4.9'	4.3'	15'	8.2'	28	5.3'	4.5'	6'	10.4'	35	6.2'	2.9'	11'	11.0'	30	5.5'	3.8'
50W MR-16 NFL (EXZ)	27°	3400	4000	6'	94	2.9'	2.9'	5'	2.9'	88	3.3'	2.8'	2'	3.5'	106	4.6'	1.9'	3'	3.0'	134	3.1'	2.0'
				8'	53	3.8'	3.8'	7'	4.0'	45	4.6'	3.9'	3'	5.2'	47	7.0'	2.9'	5'	5.0'	48	5.1'	3.4'
				10'	34	4.6'	4.8'	9'	5.2'	27	5.3'	5.0'	4'	6.9'	27	9.3'	3.6'	7'	7.0'	25	7.1'	4.8'
				12'	24	5.8'	5.8'	11'	6.4'	18	7.2'	6.1'	5'	8.7'	17	11.6'	4.8'	9'	9.0'	15	9.2'	6.1'
50W MR-16 FL (EXN)	40°	1850	4000	4'	116	2.9'	2.9'	3'	1.7'	134	3.0'	2.5'	1'	1.7'	231	4.8'	1.5'	3'	3.0'	73	5.0'	3.1'
				6'	51	4.4'	4.4'	5'	2.9'	48	5.1'	4.2'	2'	3.5'	58	9.7'	2.9'	4'	4.0'	41	6.7'	4.1'
				8'	29	5.8'	5.8'	7'	4.0'	25	7.1'	5.9'	3'	5.2'	26	14.5'	4.4'	5'	5.0'	26	8.4'	5.1'
				10'	19	7.3'	7.3'	9'	5.2'	15	9.1'	7.6'	4'	6.9'	14	19.3'	5.8'	6'	6.0'	18	10.1'	6.2'
50W MR-16 WFL (FNVI)	55°	1150	4000	3'	126	3.1'	3.1'	8'	1.7'	83	4.6'	3.6'	1'	1.7'	144	22.3'	2.1'	2'	2.0'	102	5.7'	2.9'
				5'	46	5.2'	5.2'	5'	2.9'	30	7.6'	6.0'	2'	3.5'	36	44.5'	4.2'	3'	3.0'	45	8.6'	4.4'
				7'	23	7.3'	7.3'	7'	4.0'	15	10.7'	8.4'	3'	5.2'	16	66.8'	6.2'	4'	4.0'	25	11.4'	5.9'
				9'	14	9.4'	9.4'	9'	5.2'	9	13.7'	10.8'	4'	6.9'	9	89.1'	8.3'	5'	5.0'	16	14.3'	7.4'
73W MR-16 SP	10°	14000	4000	8'	219	1.4'	1.4'	7'	4.0'	186	1.6'	1.4'	3'	5.2'	194	2.1'	1.0'	5'	5.0'	198	1.8'	1.2'
				12'	97	2.1'	2.1'	10'	5.8'	91	2.3'	2.0'	4'	6.9'	109	2.9'	1.4'	7'	7.0'	101	2.5'	1.7'
				16'	55	2.8'	2.9'	13'	7.5'	54	3.0'	2.6'	5'	8.7'	70	3.6'	1.7'	9'	9.0'	61	3.2'	2.5'
				20'	35	3.5'	3.5'	16'	8.2'	36	3.7'	3.2'	6'	10.4'	49	4.3'	2.1'	11'	11.0'	41	3.8'	2.7'
73W MR-16 FL	36°	2500	4000	4'	156	2.5'	2.5'	3'	1.7'	180	2.7'	2.3'	1'	1.7'	313	3.8'	1.3'	3	3.0'	98	4.4'	2.8'
				6'	59	3.8'	3.8'	5'	2.9'	65	4.5'	3.8'	2'	3.5'	78	7.5'	2.6'	4	4.0'	55	5.8'	3.7'
				8'	39	5.2'	5.2'	7'	4.0'	33	6.3'	5.3'	3'	5.2'	35	11.4'	3.9'	5	5.0'	36	7.3'	4.6'
				10'	25	6.5'	6.5'	9'	5.2'	20	15.2'	6.6'	4'	6.9'	20	15.2'	5.2'	6	6.0'	25	6.7'	5.5'
75W MR-16 FL (FNVI)	14°	12,000	4000	8'	188	2.0'	2.0'	7'	4.0'	159	2.3'	2.0'	3'	5.2'	167	3.1'	1.5'	5'	5.0'	170	2.5'	1.7'
				12'	83	2.9'	2.9'	10'	5.8'	78	3.3'	2.8'	4'	6.9'	94	4.1'	2.0'	7'	7.0'	87	3.5'	2.4'
				16'	47	3.9'	3.9'	13'	7.5'	40	4.3'	3.7'	5'	8.7'	60	5.1'	2.5'	9'	9.0'	52	4.5'	3.1'
				20'	30	4.9'	4.9'	16'	9.2'	30	5.3'	4.5'	6'	10.4'	42	6.2'	2.9'	11'	11.0'	35	5.5'	3.8'
75W MR-16 NFL (EYJ)	25°	4900	4000	6'	136	2.7'	2.7'	5'	2.9'	127	3.0'	2.6'	2'	3.5'	153	4.2'	1.8'	3'	3.0'	192	2.8'	1.9'
				8'	77	3.5'	3.5'	7'	4.0'	65	4.2'	3.6'	3'	5.2'	88	6.2'	2.7'	5'	5.0'	69	4.7'	3.1'
				10'	49	4.4'	4.4'	9'	5.2'	39	5.4'	4.6'	4'	6.9'	38	8.3'	3.5'	7'	7.0'	35	6.5'	4.4'
				12'	34	5.3'	5.3'	11'	6.4'	26	6.6'	5.6'	5'	8.7'	25	10.4'	4.4'	9'	9.0'	21	8.4'	5.6'
75W MR-16 FL (EYC)	42°	2100	4000	4'	131	3.1'	3.1'	3'	1.7'	152	3.2'	2.7'	1'	1.7'	263	5.5'	1.5'	3'	3.0'	62	5.4'	3.3'
				6'	58	4.6'	4.6'	5'	2.9'	55	5.4'	4.4'	2'	3.5'	66	11.0'	3.1'	4'	4.0'	46	7.2'	4.3'
				8'	33	6.1'	6.1'	7'	4.0'	28	7.5'	6.2'	3'	5.2'	25	16.5'	4.6'	5'	5.0'	30	9.0'	5.4'
				10'	21	7.7'	7.7'	9'	5.2'	17	9.7'	6.0'	4'	6.9'	16	22.0'	6.1'	6'	6.0'	21	10.8'	6.5'
MR-16 HALOGEN LOW VOLTAGE BI-PIN LAMPS WITH ALUMINIZED (NON-DICHROIC) REFLECTORS																						
50W MR-16 NSP	11°	10,500	3500	8'	164	1.5'	1.5'	7'	4.0'	139	1.8'	1.6'	3'	5.2'	146	2.4'	1.2'	5'	5.0'	148	1.9'	1.4'
				12'	73	2.3'	2.3'	10'	5.8'	68	2.6'	2.2'	4'	6.9'	82	3.2'	1.5'	7'	7.0'	76	2.7'	1.9'
				16'	41	3.1'	3.1'	13'	7.5'	40	3.3'	2.9'	5'	8.7'	53	4.0'	1.9'	9'	9.0'	46	3.5'	2.5'
				20'	26	3.9'	3.9'	16'	9.2'	27	4.1'	3.6'	6'	10.4'	36	4.8'	2.3'	11'	11.0'	31	4.3'	3.0'
50W MR-16 NFL	25°	3000	3500	6'	83	2.7'	2.7'	5'	2.9'	78	3.0'	2.6'	2'	3.5'	94	4.2'	1.8'	3'	3.0'	118	2.8'	1.9'
				8'	47	3.5'	3.5'	7'	4.0'	40	4.2'	3.6'	3'	5.2'	42	6.2'	2.7'	5'	5.0'	42	4.7'	3.1'
				10'	30	4.4'	4.4'	9'	5.2'	24	5.4'	4.6'	4'	6.9'	23	8.3'	3.5'	7'	7.0'	22	6.5'	4.4'
				12'	21	5.3'	5.3'	11'	6.4'	16	6.6'	5.6'	5'	8.7'	15	10.4'	4.4'	9'	9.0'	13	8.4'	5.6'
50W MR-16 FL	40°	1900	3500	4'	119	2.9'	2.9'	3'	1.7'	137	3.0'	2.5'	1'	1.7'	238	4.8'	1.5'	3'	3.0'	75	5.0'	3.1'
				6'	53	4.4'	4.4'	5'	2.9'	49	5.1'	4.2'	2'	3.5'	59	9.7'	2.9'	4'	4.0'	42	6.7'	4.1'
				8'	30	5.8'	5.8'	7'	4.0'	25	7.1'	5.9'	3'	5.2'	26	14.5'	4.4'	5'	5.0'	27	8.4'	5.1'
				10'	19	7.3'	7.3'	9'	5.2'	15	9.1'	7.6'	4'	6.9'	15	19.3'	5.8'	6'	6.0'	19	10.1'	6.2'



© 2013 Koninklijke Philips N.V. (Royal Philips). All rights reserved.
 Specifications are subject to change without notice.
www.philips.com/luminaires

304X 06/14

Philips Lighting Company
 200 Franklin Square Drive
 Somerset, NJ 08873
 Phone: 855-486-2216

Philips Lighting Company
 281 Hillmount Road
 Markham ON, Canada L6C 2S3
 Phone: 905-201-4100