

YDD-L GEN 2

LED DUSK TO DAWN YARD LIGHT

The YDD-L is an energy efficient dusk to dawn yard light. It was designed for barns and farms. It is a versatile and economic light source that is good on the environment and uses long life LED's. The YDD-L comes standard with a photocontrol which helps to provide significant power savings. It includes an installation bracket for pole and wall mounting and a 21" arm for ease and versatility of installation. All units come standard with 3 feet of cable to facilitate the connection to the junction box when mounting with the pole arm.

FEATURES AND SPECIFICATIONS

• Construction

Housing

Heavy-duty cast aluminum housing finished standard in a grey polyester powder coating with anti-corrosive finish and rust proof. Standard pole mount compatible. Dusk to Dawn with photo control.

Mounting options

The YDD-L comes standard with a removable 21" arm for pole or wall mounting.

Lens

Polycarbonate diffused lens encloses high performance LEDs.

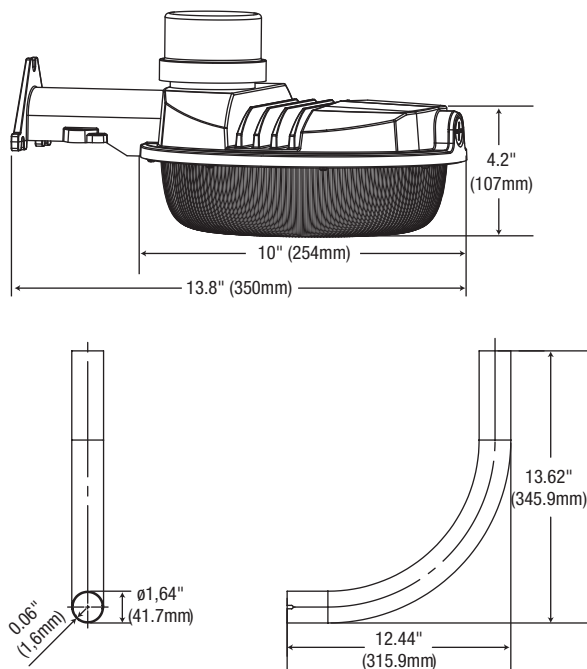
• Electrical

- Comes standard with 120-277V 50/60Hz non-dimmable and rated IP65 driver
- 3 feet of power cable is included to facilitate the connection to the junction box when mounting with the 21" pole arm
- Twist-lock grey photocell 120-277V included
- Ambient operating temperature range of -40°C to +40°C

• Compliances

- Wet location
- IK07
- Meets requirements of ICES-005 issue for class B product
- cETLus

DIMENSIONS



Project: _____
 Type: _____
 Catalogue #: _____
 Drawn by: _____
 Date: _____



Not all products are qualified on the DLC QPL. To view our DLC qualified products, please consult the DLC Qualified Products List at www.designights.org/search.

OVERVIEW

Lampe	LED
Wattage	56W
Lumens	6843lm - 7333lm
Lm/W	123lm/W - 130lm/W
Colour Temperature	4000K - 5000K
EPA	0.66 ft ²
Weight	3.66lbs

QUICK SHIP ORDERING GUIDE 🕒*

Part number	Wattage	Lumens	Voltage	Colour temperature	Efficacy
YDD-LS2B-W/4KPT	56W	6843lm	120-277V	4000K	123lm/W
YDD-LS2B-W/5KPT	56W	7333lm	120-277V	5000K	130lm/W

* **QUICK SHIP:** Product availability is subject to change without notice. Please contact your Stanpro customer service representative to confirm inventory levels at time of order.

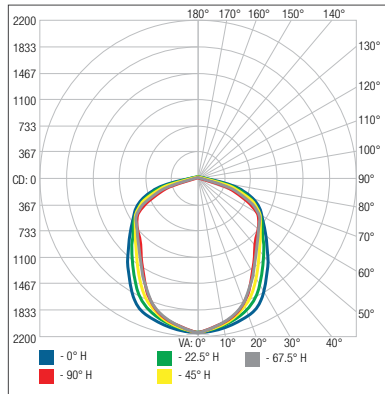
ACCESSORIES (order separately)

PH0009	Shorting cap
--------	--------------

PHOTOMETRIC DATA

YDD-LS2B-W/4KPT • 6830.5lm

Polar candela distribution



Zonal lumen summary

Zone	Lumens	% Fixture
0-30	1654.5	24.2%
0-40	2646.8	38.7%
0-60	4654.9	68.1%
60-90	1843.1	27%
70-100	1025.5	15%
90-120	214.0	3.1%
0-90	6498.0	95.1%
90-180	332.5	4.9%
0-180	6830.5	100%

Illuminance at a distance

Center beam fc		Beam width	
17.0'	7.39 fc	55.2'	46.5'
34.0'	1.85 fc	110.3'	93.0'
51.0'	0.82 fc	165.5'	139.5'
68.0'	0.46 fc	220.6'	186.0'
85.0'	0.30 fc	275.8'	232.5'
102.0'	0.21 fc	330.9'	279.0'

■ Vert. spread: 116.7°
■ Horiz. spread: 107.7°

Comments

All products are subject to change or may be discontinued any time without notice.