

F13S-L

Project:

Contractor:

LED COMPACT FLOOD LIGHT

10W to 48W (936 lumens to 4284 lumens)



QUICKSHIP



ICES 005



Not all products are qualified on the DLC QPL. To view our DLC qualified products, please consult the DLC Qualified Products List at www.designlights.org/search.

IP RATING
65



Approvals:

cULus

Suitable for wet locations

DESCRIPTION

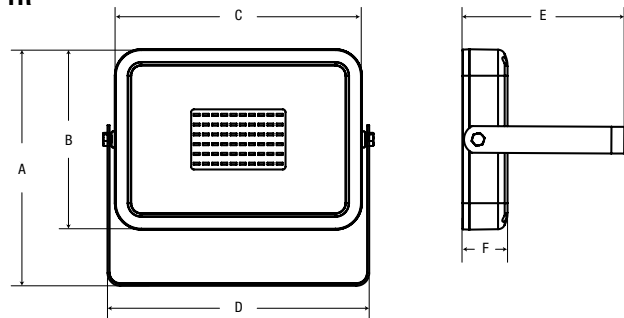
The F13S-L series is a family of highly efficient and affordable compact LED flood lights in four different lumen packages ranging from 936 lumens to 4284 lumens. Each fixture has a modern thin design with an aluminum die-cast housing, standard with a black powder coat finish. The fixture comes with either a 1/2" NPT swivel mount or a trunnion mount.

TECHNICAL SPECIFICATIONS

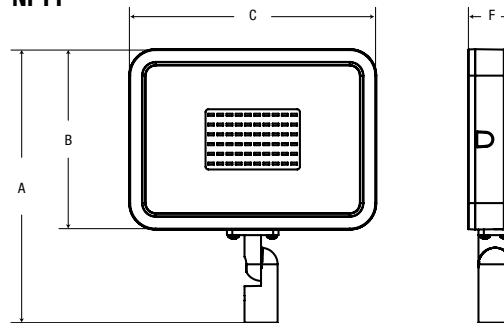
- Aluminum die-cast housing with powder coat finish (standard is black)
- Tempered glass lens
- Input voltage: 120-277V
- High quality, long life LEDs
- Estimated lifespan of 50,000 hours
- 4000K colour temperature
- Ambient operating temperature of -40°C to +40°C

DIMENSIONS

TR



NPT1



Mounting	Lumen package	A (in)	B (in)	C (in)	D (in)	E (in)	F (in)
TR	A1	5.354	3.740	5.118	5.512	3.504	1.102
	A2	7.402	5.315	7.283	7.677	4.646	1.378
	A3-A4	8.307	6.614	9.055	9.488	5.630	1.654
NPT1	A1	6.929	3.740	5.118	N/A	N/A	1.024
	A2	8.504	5.315	7.283	N/A	N/A	1.378
	A3-A4	10.079	6.614	9.055	N/A	N/A	1.654

LUMEN AND SPECIFICATION CHART

General specifications			40K				Lumen maintenance			
Lumen package	Wattage	Voltage	Lumens	Efficacy	PF	THD	BUG	Reported L70 40K	Calculated TM21 40K	LM80 @ (Hrs)
A1	10W	120-277V	936lm	90.2lm/W	0.9	13.30%	110	>36 000	203 000	6000
A2	19W	120-277V	1748lm	90.8lm/W	0.9	13.30%	110			
A3	30W	120-277V	2754lm	91.5lm/W	0.9	13.30%	110			
A4	48W	120-277V	4284lm	89.6lm/W	0.9	13.30%	210			

ORDERING GUIDE

F13S — L — 2 / 40K /

Series	Lamp type	Lumen package	Voltage	Color temperature	Casting colour	Options (mandatory selection)
F13S	L - LED	A1 A2 A3 A4	2 - 120-277V	40K - 4000K	Blank - Black (standard)	TR - trunnion mount NPT1 - 1/2" NPT swivel mount