

A perfect blend of design, performance and value

LYTEPRO LED SMALL FLOODLIGHT 40W LPF2



PHILIPS KEENE LYTEPRO LED SMALL FLOODLIGHT
40W LPF2



The Philips Keene LytePro LED Small Floodlight allows precision and flexibility in a compact design. The LPF2 features state-of-the-art long-life LED technology and is ideal for landscapes, accenting signage or displays, facades, and many other lighting applications.

Project: _____
 Location: _____
 Catalog No: _____
 Fixture Type: _____
 Mfg: _____ Lamps: _____ Qty: _____
 Notes: _____

Ordering guide¹

example: LPF2-E-4K-FL-K-F1-PCB-1-BZ

Series / # of COB ²	Drive Current	Color Temperature	Distribution	Mounting	Options	Voltage	Finish
LPF2 -	E -	-	FL -	K -	-	-	-
LPF2 LytePro LED Small Floodlight 40W	E 500 mA	4K 4000K ³ 5K 5000K ³	FL Flood	K Knuckle 1/2" NPT	F1 ⁴ Single Fusing F2 ⁵ Double Fusing F3 ⁶ Double Fusing, Canada PCB ⁷ Photocontrol DM25 ^{8,9} Dynadimmer	1 120V 2 208V 3 240V 4 277V 6 347V 8 120-277V	BZ Textured Dark Bronze WH Textured White DGY Textured Dark Gray

Accessories – Ordering Guide (must be ordered separately)

Catalog #	Description
LPF2WG ^{10,11}	Wire Guard
LPF2SG ^{10,11}	Stone Guard

Stocked Luminaires – Ordering Guide^{12,13,14,15}

Catalog #	Description	Master Pack, QTY	UPC Code
STKLPF2K-8	LPF2, Knuckle Mount, 120-277V	Yes, 4	786034956932
STKLPF2K-6	LPF2, Knuckle Mount, 347V	Yes, 4	786034957762

Footnotes:

- MTO configurations are assembled in the USA.
- COB denotes Chip On Board LED platform.
- Both 4K and 5K options have a minimum 80 CRI.
- 'F1' for 120, 277, 347V.
- 'F2' for 208, 240V.
- 'F3' for 208, 240V Canadian double pull.
- Specify voltage. 'PCB' not available with '8' universal voltage option.
- 'DM25' only available 120-277V and dims to 25% for 6 hours.
- Dynadimmer is suitable for use from -30°C to 40° temperature ambient only.
- Limited quantities stocked in our Cornwall Distribution facility.
- Contact factory for availability of large order quantities.
- All stock products are 'BZ' Textured Dark Bronze, '4K' Neutral White and 'FL' Flood Optics.
- Stock LPF products ship out of our Cornwall Distribution facility.
- Always consult factory for current inventory levels. Larger quantities may be converted to MTO if necessary.
- LPF2 is provided with full 4-color POP packaging.



**PHILIPS
KEENE**

LYTEPRO LED SMALL FLOODLIGHT 40W LPF2

Features

- LPF2 delivers 3,460 lumens at 40W, with an efficacy of 87 lumens per watt
- Effectively replaces equivalent 150W HID at minimum
- 4000K neutral white is standard, 5000K cool white is optional, minimum 80 CRI
- Optics provide excellent uniformity ideal for general facade, target and landscape illumination
- Fixtures are IP66 rated and suitable for use in ambients from -40°C to 40°C
- Rated system life of 100K hours for the driver and LED (>L₇₀) at ambients up to 30°C
- 5-year limited warranty
- LPF2 stocked in dark bronze, 120-277V or 347V, and 4000K Neutral White
- Additional made to order versions available that are assembled in the USA, consult factory for current lead time

Performance Specifications

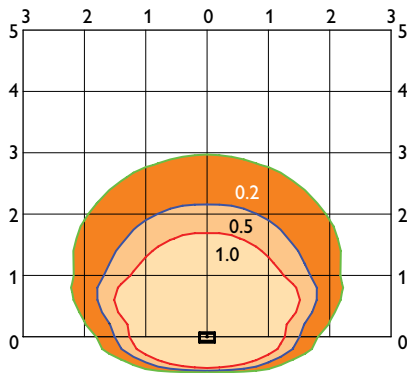
Beam Specs	Flood (FL)
Initial Lumens (4K and 5K) ¹⁶	3,460
Average Wattage ¹⁷	40W
Lumens/Watt	87
NEMA Beam	6H x 6V
50% beam (horizontal X vertical)	93° x 79°
10% beam (horizontal X vertical)	127° x 105°
Max Candela	1,974 cd

16. Lumen values based on photometric tests performed in compliance with IESNA LM-79.

17. System input wattage may vary based on input voltage, by up to +/- 8%, and based on manufacturer forward voltage, by up to +/- 4%.

Photometrics

Flood (FL)

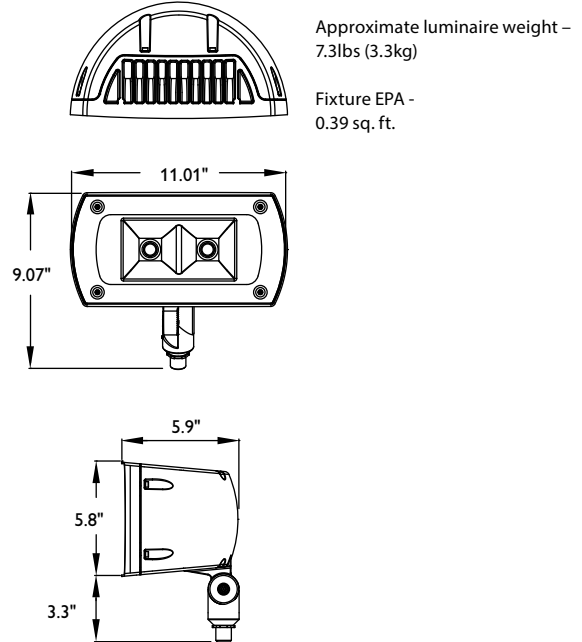


LPF2 40W - 12' Mounting Height, 30° Tilt

Mounting Height	18	15	12	10	8
Multiplier	0.32	0.56	1.0	1.5	2.5

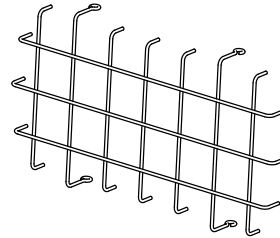
Notes: Grid is in multiples of mounting height and values shown are in footcandles. Values shown are based on initial lumens.

Dimensions

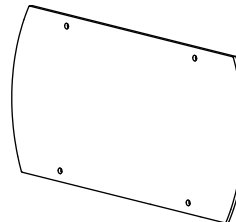


Accessory Details (must be ordered separately)

LPF2WG wire guard (field installed)



LPF2SG stone guard (field installed)



LYTEPRO LED SMALL FLOODLIGHT 40W LPF2

Specifications

General Description

The Philips Keene LytePro LED Small Floodlight 40W LPF2 combines excellent performance, design and value to meet the needs for the energy and budget conscious. The LPF2 is available with a 1/2" NPT knuckle for ease of installation and an all-purpose Flood optical distribution suitable for use on a wide range of applications. Two primary SKUs are available in stock for 2-day quick ship while a more comprehensive offering is available made-to-order with multiple offerings that include fusing, photocontrol, Dynadimmer, NW and CW color temps and three standard finishes.

Housing

Die-cast housing houses both the LED and driver assemblies. Design incorporates integrated heatsinking to maximize thermal performance and reliability.

Mounting

The LPF2 comes standard with a 1/2" NPT knuckle mount to allow for wide range of aiming and adjustability. Caution: Philips Keene is not responsible for failure of mounting components supplied by others. Proper care should be exercised in mounting component selection and installation to insure adequate luminaire support, given system weight, vibration potential, exposure to the elements, thermal conditions present in the given application, etc. If luminaires are not properly supported and installed correctly per local codes and requirements, this may result in damage or injury caused by the luminaire, for which Philips Keene is not responsible.

IP Rating

Entire fixture is rated IP66 rated, including driver and optical assemblies.

LED Board and Array

The LPF2 utilizes two Citizen CLL032 COB (Chip On Board) LEDs. Provides 87 lm/W at the system level. Standard color temp is 4000K +/- 250K, with optional 5000K available. Both color temps have a minimum 80 CRI.

LED Thermal Management

Housing design integrates thermal heatsinking between the optical and driver assemblies, allowing for pass-through convective cooling which promotes airflow for improved and maximum heat dissipation. This results in maximized performance and reliability of critical components to ensure long LED system life.

Optical Systems

LPF2 is standard with a specular vacuum metalized reflector that provides a very uniform and highly efficient all purpose flood distribution, suitable for use in wide range of applications.

Energy saving benefits and controls

The LPF2 has a system efficacy of 87 lm/W at a system wattage of 40W. It provides significant energy savings over traditional HID systems less controls. Optional Dynadimmer controls provides additional maximum energy savings by dimming to 25% low for 6 hours.

Electrical

Driver efficiency (>90% standard). 120-347V available (restrictions apply). Temp range: -40°C (-40°F)

to 40°C (104°F). Open/short circuit protection. RoHS compliant. Surge protector standard and is in accordance with IEEE / ANSI C62.41.2 guidelines, with a surge current rating of 10,000 amps (10KVA).

Listings

Product is UL and cUL listed to the UL1598 standard, suitable for Wet Locations. Suitable for use in ambients from -40°C to 40°C (-40°F to 104°F). Stock SKUs of the LPF family are made in China while all made-to-order configurations are assembled in the USA.

Finish

Each luminaire receives a fade and abrasion resistant, electrostatically applied, thermally cured, triglycidic isocyanurate (TGIC) textured polyester powdercoat finish. Standard finish on all stocked LPF luminaires is Textured Dark Bronze. Textured White and Dark Gray are also available as optional colors for made-to-order products.

Warranty

LPF2 luminaires, the LED arrays, and the drivers are all covered by a 5-year limited warranty.

Predicted Lumen Depreciation Data¹⁹

Ambient Temp. °C	TM-21 Calculated L ₇₀ hrs ^{19,20}	Reported L ₇₀ Per TM-21 ^{20,21}	Lumen Maint. % @60,000 hrs
up to 40°C	269,000 hrs	>48,000 hrs	91.5%

19. Calculated performance derived from LED manufacturer's data and engineering design estimates, based on IESNA LM-80 methodology. Actual experience may vary due to field application conditions.

20. L₇₀ is the predicted time when LED performance depreciates to 70% of initial lumen output.

21. Reported per IESNA TM21-11. Published L₇₀ hours limited to 6 times actual LED test hours.



© 2017 Philips Lighting Holding B.V. All rights reserved.
Specifications are subject to change without notice.
www.philips.com/luminaires

LytePro_LP2_K 06/17 page 3 of 3

Philips Lighting
North America Corporation
200 Franklin Square Drive
Somerset, NJ 08873
Phone: 855-486-2216

Philips Lighting Canada Ltd.
281 Hillmount Road
Markham ON, Canada L6C 2S3
Phone: 800-668-9008