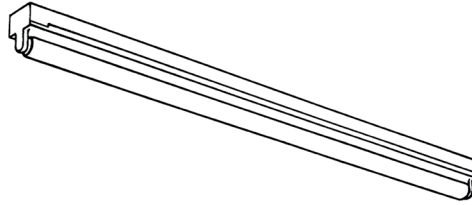


# PHILIPS Day-Brite CFI

Linear

N small cross  
section strip

2', 3', 4', or 8', T8



Project: \_\_\_\_\_

Location: \_\_\_\_\_

Cat.No: \_\_\_\_\_

Type: \_\_\_\_\_

Lamps: \_\_\_\_\_ Qty: \_\_\_\_\_

Notes: \_\_\_\_\_

The Philips Day-Brite / Philips CFI N small cross section strip is both an inexpensive and highly efficient T8 luminaire with multiple reflector choices available.

## Ordering guide

Example: N132-UNV-1/1-EB

Family	No. of Lamps per Cross Section	Lamp Type	Voltage	Options
<input type="text"/>	<input type="text" value="1"/>	<input type="text"/> -	<input type="text"/> -	<input type="text"/>
<b>N</b> Small Cross Section	(not included) <b>1</b>	<b>17</b> 17WT8 (24") <b>25</b> 25WT8 (36") <b>32</b> 32WT8 (48")	<b>UNV</b> Universal voltage 120/277V <b>120</b> 120V <b>277</b> 277V <b>347</b> 347V	<b>1/1</b> One 1-lamp ballast <b>1/2</b> One 2-lamp ballast <b>EB</b> Electronic ballast, <10% THD <b>EB10R</b> Electronic ballast, program rapid start, <10% THD <b>EBHE</b> Electronic ballast, high efficiency, std. ballast factor <b>EBLHE</b> Electronic ballast, high efficiency, low ballast factor <b>EBHHE</b> Electronic ballast, high efficiency, high ballast factor <b>LT20</b> -20°F start option (use in conjunction with ballast option) <b>E1</b> B100 emerg. ballast, 350-450 lumens, 120/277V <b>E1CAN</b> B100-CAN emerg. ballast, Canada market, T8, 350-450 lumens, 120/347V <b>E7</b> B60 emerg. ballast, 600-700 lumens, 120/277V <b>E5</b> B50 emerg. ballast, U.S. or Canada market, 1100-1400 lumens, UNV <b>ESCAN</b> B50-CAN emerg. ballast, Canada market, 1100-1400 lumens, 120/347V <b>ESST</b> B50ST emerg. ballast w/self test, U.S. or Canada market, 1100-1400 lumens, UNV <b>GLR</b> Fusing, fast blow

## Accessories (order separately)

- **CGS-2** 2' wire guard for strip without reflector
- **CGS-3** 3' wire guard for strip without reflector
- **CGS-4** 4' wire guard for strip without reflector (use 2 for 8')
- **CS-400** Rigid Canopy
- **CS-500** 42" top swivel canopy
- **CS-12** 12" Stem
- **CS-18** 18" Stem
- **CS-24** 24" Stem
- **CS-30** 30" Stem
- **CS-36** 36" Stem
- **CS-48** 48" Stem
- **NSR-2** 2' white steel symmetric reflector
- **NSR-3** 3' white steel symmetric reflector
- **NSR-4** 4' white steel symmetric reflector (use 2 for 8')
- **NSS-2** 2' specular symmetric reflector
- **NSS-3** 3' specular symmetric reflector
- **NSS-4** 4' specular symmetric reflector (use 2 for 8')
- **NAR-2** 2' white steel asymmetric reflector
- **NAR-3** 3' white steel asymmetric reflector
- **NAR-4** 4' white steel asymmetric reflector (use 2 for 8')
- **NAS-2** 2' specular asymmetric reflector
- **NAS-3** 3' specular asymmetric reflector
- **NAS-4** 4' specular asymmetric reflector (use 2 for 8')
- **NDR-2** 2' white steel directional reflector
- **NDR-3** 3' white steel directional reflector
- **NDR-4** 4' white steel directional reflector (use 2 for 8')
- **NDS-2** 2' specular directional reflector
- **NDS-3** 3' specular directional reflector
- **NDS-4** 4' specular directional reflector (use 2 for 8')

See section 1600-OA for option info. and 950-SS for mounting hardware.  
Power Connect modular wiring available, see sheet 1604-OA for details

# N Small cross section strip

2', 3', 4' or 8', T8

## Construction/Finish

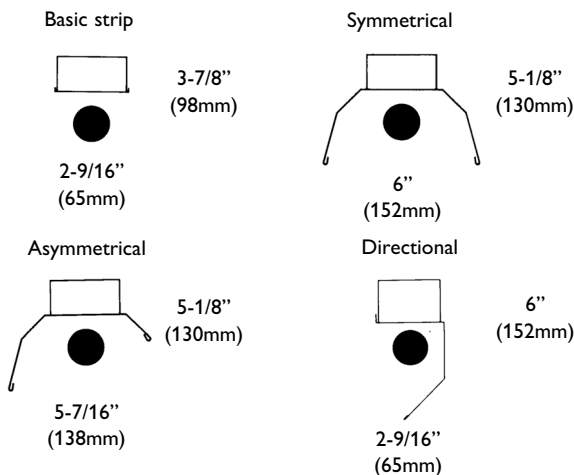
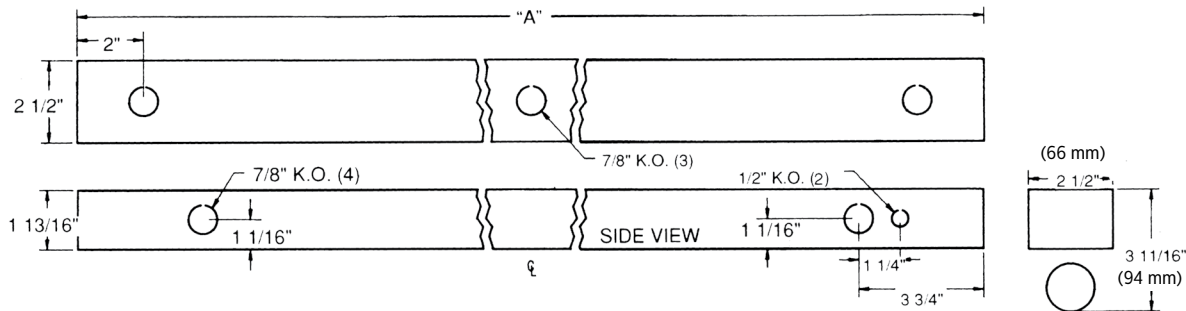
- Multiple knockouts for convenient installation.
- High reflectance white baked enamel finish.
- Quarter turn latch secures channel cover for easy wireway access.
- Heavy duty channel of code gauge die formed steel.
- Suitable for unit, row, surface, or suspension mounting.

## Electrical

- cULus listed for direct mounting on low density ceilings and damp locations.
- Self-contained fluorescent emergency power packs can be incorporated.
- Green grounding screw installed in channel.
- Lampholders may be individually replaced or rewired.

## Dimensions

DIM "A"	Inches	(mm)
8' CHANNEL	96"	(2438 mm)
4' CHANNEL	48"	(1219 mm)
3' CHANNEL	36"	(914 mm)
2' CHANNEL	24"	(610 mm)



Catalog Numbers (Reflectors only)		
Symmetrical	Asymmetrical	Directional
Steel	Steel	Steel
2' NSR-2	2' NAR-2	2' NDR-2
3' NSR-3	3' NAR-3	3' NDR-3
4' NSR-4	4' NAR-4	4' NDR-4
Silverado*	Silverado*	Silverado*
2' NSS-2	2' NAS-2	2' NDS-2
3' NSS-3	3' NAS-3	3' NDS-3
4' NSS-4	4' NAS-4	4' NDS-4

\*Silverado reflectors are made from a high reflectance (95%) specular material. The specular finish provides more precise light control. Order strips separately.  
Order two 4' reflectors for 8' strips.

# N Small cross section strip

2', 3', 4' or 8', T8

## Photometry

N small cross section strip, 4' 1 Lamp 32W T8

Efficiency – 94.2%

LER – FS-73

TER – 37

Catalog No.	N132-1/1-EB	Candlepower				Light Distribution				Average Luminance				
		Angle	End	45	Cross	Degrees	Lumens	% Lamp	% Luminaire	Angle	End	45'	Cross	
Test No.	14444	0	464	464	464	0-30	378	13.0	13.8	45	13229	6856	6524	
S/MH	1.6	5	462	465	463	0-40	641	22.1	23.5	55	11823	6184	6056	
Lamp Type	F32T8	15	443	460	468	0-60	1265	43.6	46.3	65	9776	5544	5555	
Lumens/Lamp	2900	25	408	448	474	0-90	2078	71.6	76.1	75	6572	4758	5007	
Ballast Factor	.96	35	357	429	477	90-180	654	22.5	23.9	85	1228	4108	4607	
Input Watts	36	45	292	404	480	0-180	2731	94.2	100.0					
		55	216	377	472	<b>Coefficients of Utilization</b>								
		65	136	339	444	<b>EFFECTIVE FLOOR CAVITY REFLECTANCE 20 PER (pfc=0.20)</b>								
		75	60	283	398	pcc	80			70			50	
		85	5	230	353	pw	70	50	30	70	50	30	50	30
		95	0	223	346	RCR							92	92
		105	0	227	348	0	107	107	107	102	102	102	92	92
		115	0	135	306	1	93	88	82	89	83	79	75	71
		125	0	57	192	2	83	75	67	79	70	64	64	57
		135	0	0	81	3	76	65	56	70	60	53	55	48
		145	0	0	0	4	68	56	46	65	54	45	47	40
		155	0	0	0	5	63	50	40	58	46	39	42	35
		165	0	0	0	6	57	45	35	54	41	34	38	30
		175	0	0	0	7	53	40	30	50	38	29	34	28
						8	50	35	28	46	34	27	32	25
						9	46	33	25	44	32	23	28	22
						10	42	29	23	40	28	22	27	20

Comparative yearly lighting energy cost per 1000 lumens – \$3.29 based on 3000 hrs. and \$.08 pwr KWH.

The photometric results were obtained in the Philips Day-Brite laboratory which is NVLAP accredited by the National Institute of Standards and Technology.



Some luminaires use fluorescent or high intensity discharge (HID) lamps that contain small amounts of mercury. Such lamps are labeled, "Contain Mercury" and/or the symbol "HG". Lamps that contain mercury must be disposed of in accordance with local requirements. Information regarding lamp recycling and disposal can be found at [www.lamprecycle.org](http://www.lamprecycle.org)

© 2015 Koninklijke Philips N.V. All rights reserved.  
Philips reserves the right to make changes in specifications and/or to discontinue any product at any time without notice or obligation and will not be liable for any consequences resulting from the use of this publication.  
[philips.com/luminaires](http://philips.com/luminaires)



Philips Lighting North America Corporation  
200 Franklin Square Drive, Somerset, NJ 08873  
Tel. 855-486-2216

Philips Lighting Canada Ltd.  
A division of Philips Electronics Ltd.  
281 Hillmount Rd, Markham, ON, Canada L6C 2S3  
Tel. 800-668-9008