



Project: _____
 Location: _____
 Cat.No: _____
 Type: _____
 Qty: _____
 Notes: _____

The Philips Keene Dusk to Dawn LED Luminaire Gen 2 offers an economical solution with enhanced generation chip on board LED performance for general purpose area and security lighting. The luminaire can be direct mounted to vertical surfaces or mounted onto 1 1/2" O.D. arms. Arm is also available as an accessory ordered separately. A 120V NEMA twist lock photo cell is included as standard. This versatile luminaire easily retrofits onto existing arms and offers one of the most affordable and efficient energy saving solutions available.

Ordering guide

example: DTDLED1C5K120GY3SP

Series	Lamp Source	Configuration	Color Temperature	Voltage	Finish	Features
DTD	LED	1C	5K	120	GY3S	P
DTD Dusk to Dawn LED Luminaire Gen 2	LED	1C 1COB	5K 5100K	120 120V	GY3S Light Grey Smooth	P Photocell NEMA twist lock with receptacle

Accessories (order separately) • **DTDARMGY3S** – Mounting arm with hardware

Housing

One piece die cast aluminum housing with integral arm mounting hub that can be direct mounted with lag bolts or fit onto 1 1/2" O.D. mounting arm.

Electrical

Driver efficiency (>90% standard). 120-277V Open/short circuit protection. RoHS compliant. Surge protector standard, 10KA per ANSI/IEEE C62.41.2.

LED

Chip on board LED, 5100K +/-250K. CRI of 75.

Optical Lens System

Refractive design featuring prisms to spread light in a symmetrical Type 5 distribution. Lens material is durable polycarbonate. Specular aluminum reflector provided to maximize efficiency.

BUG Rating

B2-U2-G1

Cutoff Classification

Cutoff Classified

Mounting

Standard luminaire mounts to vertical surface using 1/4" lag bolts or easily fits onto 1/1/2" O.D. round pipe/tube. Direct mount hardware provided as standard. Mounting arm with hardware available separately as an accessory.

Listings

cULus listed to the UL 1598 standard, suitable for Wet Locations. Suitable for use in ambients from -30° to 40°C (-22° to 104°F).

Finish

Each standard color luminaire receives a fade and abrasion resistant, electrostatically applied, thermally cured, triglycidal isocyanurate (TGIC) textured polyester powder coat finish. Standard finish color is smooth light gray (GY3S).

Warranty

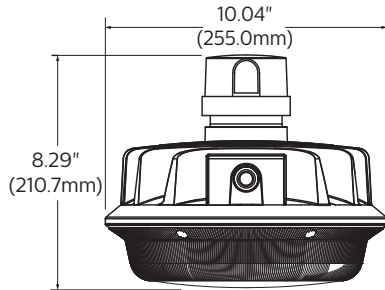
DTD LED luminaires feature a 5 year limited warranty. See philips.com/warranties for details.



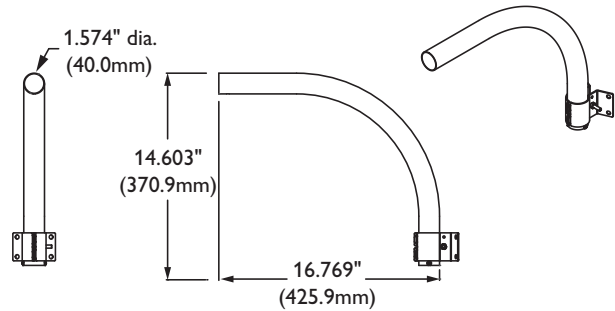
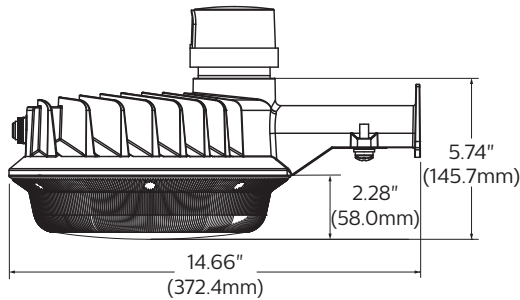
Dusk to Dawn LED

General purpose arm mount

Dimensions



Approximate luminaire weight (less arm) – 4.6lbs (2.1kg)



DTDARMGY3S – Arm accessory (order separately)

LED Wattage and Lumen Values

Ordering Code	Total LEDs	LED Current (mA)	Color Temp.(K)	Average System Wattage ¹	Lumen Output ^{1,2}	Efficacy (LPW)
DTD-LED-1C-5K-120-GY3S	1	911	5100	39	3356	86

1. Wattage and lumen output may vary due to LED manufacturer forward volt specification and ambient temperature. Wattage shown is average for 120V through 277V input. Measured wattage may vary due to variation in input voltage.
2. Lumen values based on photometric tests performed in compliance with IESNA LM-79.

NOTE: Contact outdoorlighting.applications@philips.com for additional photometric tests or information.

LED Performance

Predicted Lumen Depreciation Data				
Ambient Temperature °C	System Current	Calculated L ₇₀ hours ^{1,2}	L ₇₀ per TM21 ^{2,3}	Lumen Maintenance @ 48,000hrs
40	911mA	>182,000 hrs	>48,000 hrs	84%

1. Predicted performance derived from LED manufacturer's data and engineering design estimates.
2. L70 is the predicted time when LED performance depreciates to 70% of initial lumen output.
3. Calculated per IESNA TM-21. Published L70 hours limited to 6 times actual LED test hours.

© 2017 Philips Lighting Holding B.V. All rights reserved. Philips reserves the right to make changes in specifications and/or to discontinue any product at any time without notice or obligation and will not be liable for any consequences resulting from the use of this publication. philips.com/luminaires



Philips Lighting North America Corporation
200 Franklin Square Drive, Somerset, NJ 08873
Tel. 855-486-2216

Philips Lighting Canada Ltd.
281 Hillmount Rd, Markham, ON, Canada L6C 2S3
Tel. 800-668-9008