

# Installation Instructions

## Pre-wire or Pre-construction

Locate all obstructions (AC wiring, plumbing, duct work, studs, and joists). Route the speaker wire to the speaker location avoiding all obstacles.

Russound offers Speaker Rough-In Brackets that can be fastened to the adjacent studs. Once the dry wall is installed, the opening is cut-out. There are holes molded into the bracket for speaker wire tie-off to keep the wire from being lost during construction.

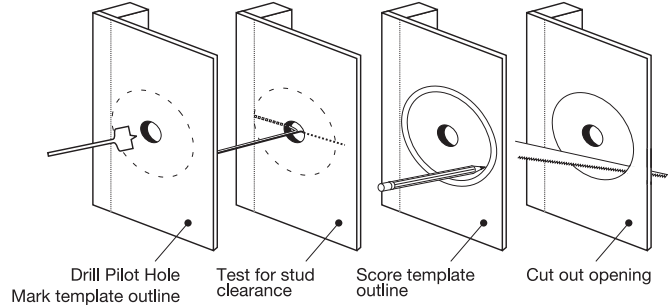
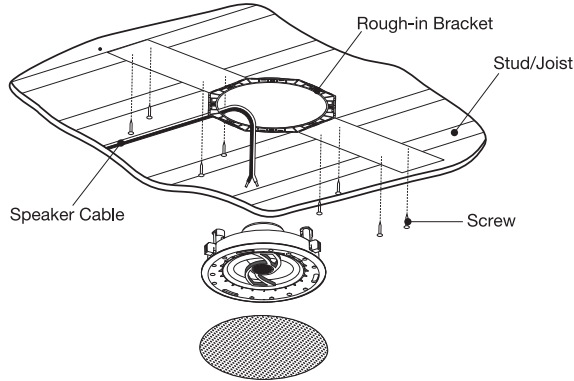
Make sure the speaker cut-out (hole) doesn't extend further than 1/4" (0.6 cm) from the inside of the mounting bracket.

## Retrofit Installation

Locate existing pipes, duct work, and AC wiring before cutting any holes in the ceiling.

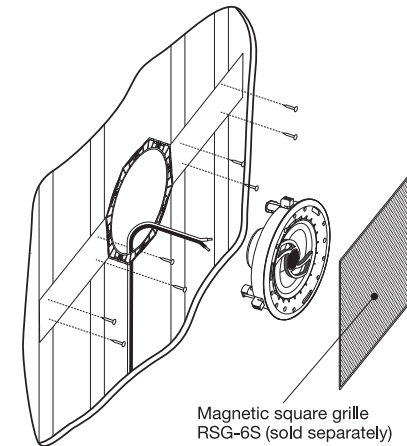
1. Center the cardboard template between adjacent joists, avoiding all wiring, pipes, duct work, and lightly mark the outline with a pencil. Then use a keyhole/drywall saw or motorized spiral-cut tool to make the opening.
2. Score the outline of the template with a utility knife to prevent chipping. If dealing with lath and plaster or thick paneling, drill 1" (2.5 cm) holes in several places around the pencil outline. Use a fine-toothed keyhole saw or hacksaw blade with slow strokes to saw through and remove the inner surface.

### In-ceiling bracket Installation

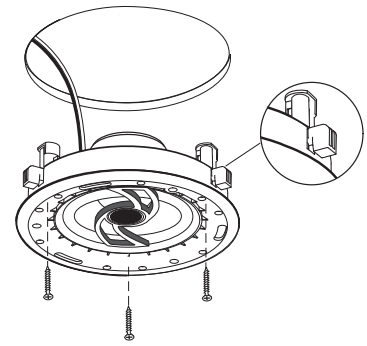
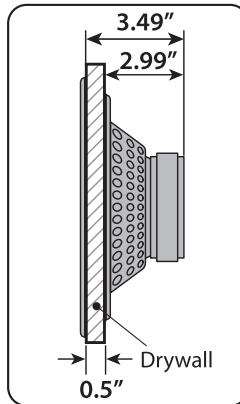


**Note:**  
Drill shallow to avoid damage to wiring, pipes and ductwork.

### In-wall bracket Installation



### In-wall placement



Center the speaker in the cutout. Rotate the frame as needed before tightening the screws. Tighten the screws equally until the clamps secure the frame.  
**Do not overtighten.**

## Technical Specifications

Model	Description	Woofers	Tweeter	Recommended Power	Frequency Response	Sensitivity	Nominal Impedance	Magnet Structure	Overall Dimensions	Cut-out Dimensions	Mounting Depth
RSF-620	High Resolution Speaker, Two-way In-ceiling/in-wall	6.5" (16.51 cm) Polypropylene Cone	1" (2.54 cm) Pivoting Silk	5 - 90 watts	50Hz - 20kHz	90dB @ 1w/1m	8 ohms	Ferrite 11 oz (0.312 kg)	9.13" dia. (23.19 cm)	8.375" dia. (21.27 cm)	3.49" (8.86 cm)

## Product Specifications

Model Number	Part Number	Shipping Dimensions	Shipping Weight
RSF-620/pair	3175-535093	10.5"L x 10.5"W x 12.2"H, (26.7 x 26.7 x 31cm)	7.0 lbs (3.2 kg)

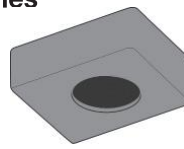
## Optional Accessories



Square Grille  
RSG-6S



Rough-In Bracket  
SB-C67 - In-ceiling/In-wall



Sound Blocking Flexbox Back Box  
FBC1-FR In-Ceiling



**1 Hour  
Fire Rating**

Russound | 1 Forbes Road Newmarket, NH 03857 | 603.659.5170 | [www.russound.com](http://www.russound.com)

©2014 Russound/FMP, Inc. All rights reserved. Russound and the Russound logo are registered trademarks of Russound/FMP, Inc. Acclaim is a trademark of Russound/FMP, Inc. All other trademarks are the property of their respective owners. Russound reserves the right to change specifications without notice.