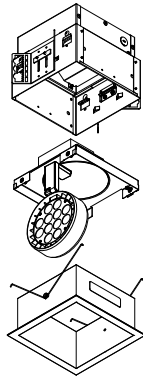


# PHILIPS LIGHTOLIER

Track

Spot LED

LLABR, Recessed Multiple,  
13W/1000lm & 22W/1600lm



Complete unit  
Fixture + optional accessories



A high brightness LED recessed solution in a multi-optic LED design. Ideal for customers concern with energy, beam quality and visual performance. Multiple accessories available to customize the light output and visual appearance of the fixture.

Project: \_\_\_\_\_  
 Location: \_\_\_\_\_  
 Cat.No: \_\_\_\_\_  
 Type: \_\_\_\_\_  
 Lamps: \_\_\_\_\_ Qty: \_\_\_\_\_  
 Notes: \_\_\_\_\_

## Frame-in kit

example: LLABR24WH030H3RSVA

| Series                  | Length   | Finish                           | Engine                            | CCT   | Heads  | Optics                                  | Version                  |
|-------------------------|--|----------------------------------|-----------------------------------|---|--|---|--------------------------|
| <b>LLABR</b>            | <input type="checkbox"/>   | <input type="checkbox"/>         | <input type="checkbox"/>          | <input type="checkbox"/>                      | <input type="checkbox"/>                         | <input type="checkbox"/>                | <input type="checkbox"/> |
| LLABR Spot LED recessed | 9 9" for 1 head<br>17 17" for 2 head<br>24 24" for 3 head<br>32 32" for 4 head | WH Matte White<br>BK Matte Black | 0 13W - 9 LEDs<br>1 22W - 12 LEDs | 27 2700K<br>30 3000K<br>40 4000K <sup>1</sup> | H1 1 head<br>H2 2 head<br>H3 3 head<br>H4 4 head | RS Spot<br>RNF Narrow flood<br>RF Flood | VA Version A             |

## Fixture

example: LLABR24WHW

| Series                  | Length   | Finish                           | Flange                              |
|-------------------------|--|----------------------------------|-------------------------------------|
| <b>LLABR</b>            | <input type="checkbox"/>   | <input type="checkbox"/>         | <input type="checkbox"/>            |
| LLABR Spot LED recessed | 9 9" for 1 head<br>17 17" for 2 head<br>24 24" for 3 head<br>32 32" for 4 head | WH Matte White<br>BK Matte Black | W With flange<br>FT Flangeless trim |

## Accessories<sup>2</sup>

example: 8595

| Series  | Finish                           |
|---|----------------------------------|
| <input type="checkbox"/>  | <input type="checkbox"/>         |
| 8595 Accessory holder <sup>3</sup> (13W)<br>LLAB1AH Accessory holder <sup>3</sup> (22W) | WH Matte white<br>BK Matte black |
| 23SNT6 Compatible Snoot for Spot LED 13W & 22W  | WH Matte white<br>BK Matte black |
| AF4 Compatible Diffusion Filter   |                                  |
| ADF4 Compatible Color Filter <sup>4</sup>   |                                  |
| AL4HC Compatible Hex cell louver (matte black)  |                                  |

1. Consult factory for availability.
2. Accessories are not Energy Star qualified.
3. Accessory holder accept two accessories.
4. Color filters will project colored light on ceiling.

## Mud-in kit

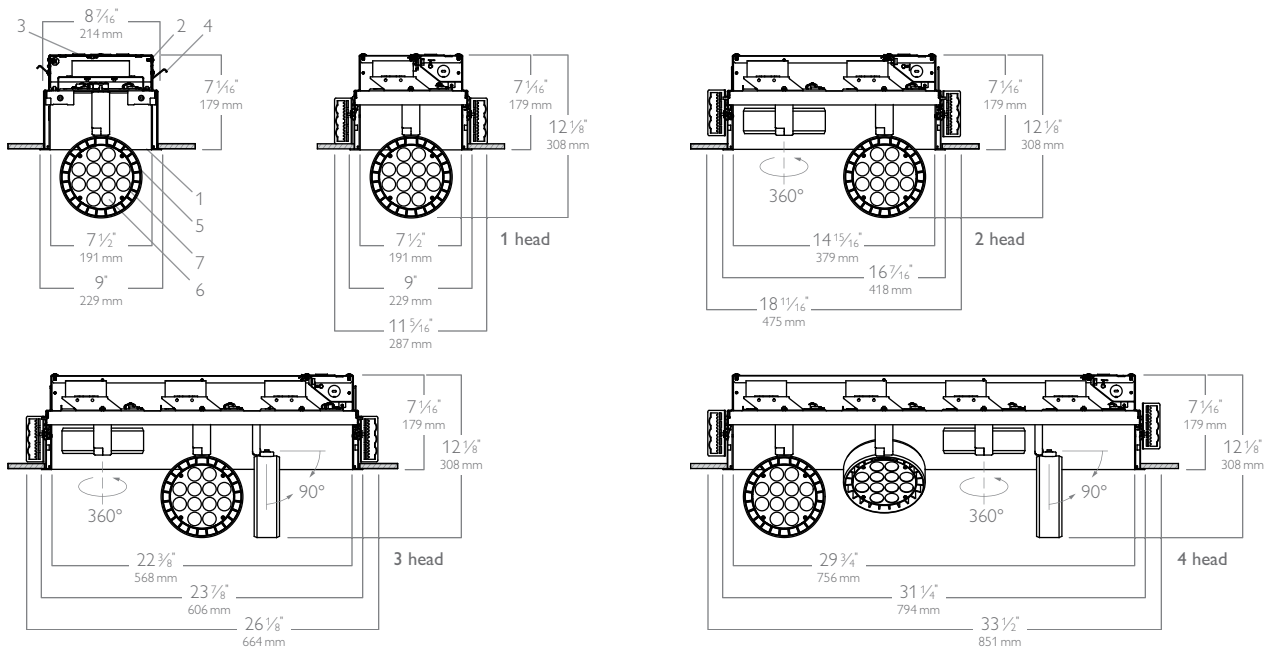
example: LLABR24MK

| Series                  | Length   | Option   |
|-------------------------|--|--|
| <b>LLABR</b>            | <input type="checkbox"/>   | <input type="checkbox"/>   |
| LLABR Spot LED recessed | 9 9" for 1 head<br>17 17" for 2 head<br>24 24" for 3 head<br>32 32" for 4 head | MK Mud-in kit<br>only available with FT flangeless trim kit option |



# LLABR-VA Spot LED

13W/1000lm & 22W/1600lm, Recessed luminaire



## Features

- Trim:** Extruded aluminum, welded together on all corners, with powder coat finish.
- Housing:** Universal housing voltage (120V-277Vac). Low profile (7"). Die-formed 22 ga. steel, black finish.
- Junction box:** Integrated junction box with separate wire compartment. Dual access from inside/outside.
- Mounting:** Brackets are adjustable vertically from inside of housing. Maximum ceiling thickness is 1.625". Accepts various types of mounting bars (1/2" EMT, C channel, Philips Lightolier Mounting Bars – all ordered separately). For use in T-grid or sheet rock ceilings.
- Thermal management:** Proprietary heat sink design was developed using the latest Computational Fluid Dynamics Software. Die cast aluminum effectively cools LEDs providing a minimum 50,000 hr lifetime at 70% lumen maintenance.
- Optic assembly:** Efficient TIR (total internal reflection) optically clear thermoplastic lenses held securely by frosted translucent thermoplastic holder. Positive securement into luminaire with screws and accurately positioned on LEDs with locating pins. Prevents dust and contaminants from entering LED compartment.
- Light source:** High brightness white LED. LEDs selected for tight color consistency between luminaires. 80-85 CRI, 3 step MacAdam ellipse maximum.

## Application Compatibility

| Series | T-Grid             | Sheet Rock            |
|--------|--------------------|-----------------------|
| 1 Head | Flange             | Flange/<br>Flangeless |
| 2 Head | Flange             |                       |
| 3 Head | Flange/Flangeless* | Flangeless            |
| 4 Head | Flange             |                       |

\* Additional T-Grid runners are required (supplied by others).

## Electrical

**Electronic power supply:** RoHS compliant Class 2 power unit for use in a damp or dry location (Outdoor Type1 IP66). Class A sound rated unit tolerates sustained open circuit and short circuit output conditions without damage. Complies with FCC rules per Title 47 CFR PART 15 Non-Consumer (Class A) for EMI/RFI (conducted and radiated) at full load.

**Electronic power supply**  
**Input voltage:** 120V-277V  
**Input power:** 13W or 22W (nominal)  
**High power factor:** >0.9  
**CRI:** 85 (typical)  
**Lumen maintenance:**  
 >70% of initial lumens @ 50,000 hours.  
**Photometric performance:**  
 Tested in accordance to LM79.

**Phase 2 Driver (XI025C100V036DNM1) w/o TP**  
**9 LED: 2700K Nominal input power: 13W**

| Reflector | Beam sprd | Lms   | Efficacy | CBCP     |
|-----------|-----------|-------|----------|----------|
| RS        | 10°       | 995.8 | 76.6     | 25,835.0 |
| RNF       | 20°       | 943.6 | 72.6     | 4,534.6  |
| RF        | 34°       | 926.2 | 71.2     | 2,196.0  |

**9 LED: 3000K Nominal input power: 13W**

| Reflector | Beam sprd | Lms    | Efficacy | CBCP     |
|-----------|-----------|--------|----------|----------|
| RS        | 10°       | 1087.0 | 83.6     | 28,201.4 |
| RNF       | 20°       | 1030.0 | 79.2     | 4,949.9  |
| RF        | 34°       | 1011.0 | 77.8     | 2,397.2  |

**12 LED: 2700K Nominal input power: 22W**

| Reflector | Beam sprd | Lms    | Efficacy | CBCP     |
|-----------|-----------|--------|----------|----------|
| RS        | 10°       | 1578.5 | 71.8     | 36,449.5 |
| RNF       | 22°       | 1478.1 | 67.2     | 7,480.2  |
| RF        | 36°       | 1465.0 | 66.6     | 3,225.2  |

**12 LED: 3000K Nominal input power: 22W**

| Reflector | Beam sprd | Lms    | Efficacy | CBCP     |
|-----------|-----------|--------|----------|----------|
| RS        | 10°       | 1682.0 | 76.5     | 38,838.4 |
| RNF       | 22°       | 1575.0 | 71.6     | 7,970.5  |
| RF        | 36°       | 1561.0 | 71.0     | 3,436.6  |

**12 LED: 4000K Nominal input power: 22W**

| Reflector | Beam sprd | Lms    | Efficacy | CBCP     |
|-----------|-----------|--------|----------|----------|
| RS        | 10°       | 1843.6 | 83.8     | 42,569.2 |
| RNF       | 22°       | 1726.3 | 78.5     | 8,736.2  |
| RF        | 36°       | 1711.0 | 77.8     | 3,766.3  |

## Dimming

Consult factory for dimming.

## Finish

Powder coated finish.

## Labels

cULus listed. 5 year warranty.  
 Energy Star certified (standard product).  
 Title 24 compliant. Suitable for damp location.

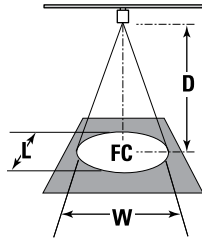
# LLABR-VA Spot LED

13W/1000lm & 22W/1600lm, Recessed luminaire

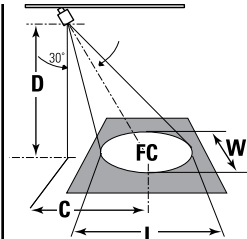
## Aiming angle

L and W are the outer points where the candle power drops to 50% of the maximum. FC are the initial foot-candles at the center of the beam. Data shown is for 3000K, for 2700K multiply FC by 0.91.

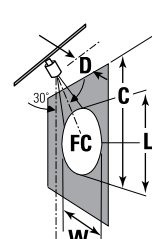
L = Beam length FC = Footcandles  
 W = Beam width C = Distance to  
 D = Distance center beam  
 A = Aiming angle CBCP= Center Beam  
 Candle Power



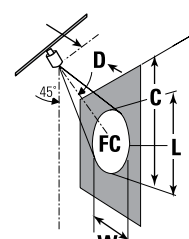
0° horizontal aiming angle



30° horizontal aiming angle



30° vertical aiming angle



45° vertical aiming angle

|                                      | Beam spread<br>(To 50% CBCP) | CBCP   | Rated<br>Life (Hrs.) | 0° horizontal aiming angle |     |      |     |     | 30° horizontal aiming angle |     |     |      |     | 30° vertical aiming angle |     |      |      |     | 45° vertical aiming angle |     |      |     |     |
|--------------------------------------|------------------------------|--------|----------------------|----------------------------|-----|------|-----|-----|-----------------------------|-----|-----|------|-----|---------------------------|-----|------|------|-----|---------------------------|-----|------|-----|-----|
|                                      |                              |        |                      | D                          | C   | FC   | L   | W   | D                           | C   | FC  | L    | W   | D                         | C   | FC   | L    | W   | D                         | C   | FC   | L   | W   |
| LLABR<br>15.5W 3000K<br>Spot         | 10°                          | 28,201 | 50,000               | 6                          | 0.0 | 783  | 1.0 | 1.0 | 6                           | 3.5 | 509 | 1.3  | 1.1 | 2                         | 3.5 | 881  | 1.3  | 0.6 | 3                         | 3.0 | 1108 | 1.0 | 0.7 |
|                                      |                              |        |                      | 8                          | 0.0 | 441  | 1.3 | 1.3 | 8                           | 4.6 | 286 | 1.7  | 1.5 | 3                         | 5.2 | 392  | 2.0  | 1.0 | 4                         | 4.0 | 623  | 1.3 | 0.9 |
|                                      |                              |        |                      | 10                         | 0.0 | 282  | 1.6 | 1.6 | 10                          | 5.8 | 183 | 2.2  | 1.9 | 4                         | 6.9 | 220  | 2.6  | 1.3 | 5                         | 5.0 | 399  | 1.6 | 1.1 |
|                                      |                              |        |                      | 12                         | 0.0 | 196  | 1.9 | 1.9 | 12                          | 6.9 | 127 | 2.6  | 2.2 | 5                         | 8.7 | 141  | 3.3  | 1.6 | 6                         | 6.0 | 277  | 1.9 | 1.4 |
| LLABR<br>15.5W 3000K<br>Narrow Flood | 20°                          | 4,950  | 50,000               | 6                          | 0.0 | 137  | 2.1 | 2.1 | 6                           | 3.5 | 89  | 2.9  | 2.5 | 2                         | 3.5 | 155  | 3.2  | 1.4 | 3                         | 3.0 | 194  | 2.2 | 1.5 |
|                                      |                              |        |                      | 8                          | 0.0 | 77   | 2.9 | 2.9 | 8                           | 4.6 | 50  | 3.9  | 3.3 | 3                         | 5.2 | 69   | 4.8  | 2.1 | 4                         | 4.0 | 109  | 3.0 | 2.0 |
|                                      |                              |        |                      | 10                         | 0.0 | 49   | 3.6 | 3.6 | 10                          | 5.8 | 32  | 4.8  | 4.1 | 4                         | 6.9 | 39   | 6.3  | 2.9 | 5                         | 5.0 | 70   | 3.7 | 2.5 |
|                                      |                              |        |                      | 12                         | 0.0 | 34   | 4.3 | 4.3 | 12                          | 6.9 | 22  | 5.8  | 5.0 | 5                         | 8.7 | 25   | 7.9  | 3.6 | 6                         | 6.0 | 49   | 4.4 | 3.0 |
| LLABR<br>15.5W 3000K<br>Flood        | 34°                          | 2,397  | 50,000               | 6                          | 0.0 | 67   | 3.5 | 3.5 | 6                           | 3.5 | 43  | 4.8  | 4.1 | 2                         | 3.5 | 75   | 6.4  | 2.4 | 3                         | 2.0 | 94   | 3.9 | 2.5 |
|                                      |                              |        |                      | 8                          | 0.0 | 37   | 4.7 | 4.7 | 8                           | 4.6 | 24  | 6.5  | 5.4 | 3                         | 5.2 | 33   | 9.5  | 3.5 | 4                         | 3.0 | 53   | 5.2 | 3.3 |
|                                      |                              |        |                      | 10                         | 0.0 | 24   | 5.9 | 5.9 | 10                          | 5.8 | 16  | 8.1  | 6.8 | 4                         | 6.9 | 19   | 12.7 | 4.7 | 5                         | 4.0 | 34   | 6.4 | 4.2 |
|                                      |                              |        |                      | 12                         | 0.0 | 17   | 7.1 | 7.1 | 12                          | 6.9 | 11  | 9.7  | 8.2 | 5                         | 8.7 | 12   | 15.9 | 5.9 | 6                         | 5.0 | 24   | 7.7 | 5.0 |
| LLABR<br>26.7W 3000K<br>Spot         | 10°                          | 38,838 | 50,000               | 6                          | 0.0 | 1079 | 1.0 | 1.0 | 6                           | 3.5 | 701 | 1.3  | 1.1 | 2                         | 3.5 | 1214 | 1.3  | 0.7 | 3                         | 3.0 | 1526 | 1.0 | 0.7 |
|                                      |                              |        |                      | 8                          | 0.0 | 607  | 1.3 | 1.3 | 8                           | 4.6 | 394 | 1.7  | 1.5 | 3                         | 5.2 | 539  | 2.0  | 1.0 | 4                         | 4.0 | 858  | 1.3 | 0.9 |
|                                      |                              |        |                      | 10                         | 0.0 | 388  | 1.6 | 1.6 | 10                          | 5.8 | 252 | 2.2  | 1.9 | 4                         | 6.9 | 303  | 2.7  | 1.3 | 5                         | 5.0 | 579  | 1.6 | 1.2 |
|                                      |                              |        |                      | 12                         | 0.0 | 270  | 2.0 | 2.0 | 12                          | 6.9 | 175 | 2.6  | 2.3 | 5                         | 8.7 | 194  | 3.3  | 1.6 | 6                         | 6.0 | 381  | 2.0 | 1.4 |
| LLABR<br>26.7W 3000K<br>Narrow Flood | 22°                          | 7,970  | 50,000               | 6                          | 0.0 | 221  | 2.2 | 2.2 | 6                           | 3.5 | 144 | 3.0  | 2.6 | 2                         | 3.5 | 249  | 3.3  | 1.5 | 3                         | 3.0 | 313  | 2.3 | 1.6 |
|                                      |                              |        |                      | 8                          | 0.0 | 125  | 3.0 | 3.0 | 8                           | 4.6 | 81  | 4.0  | 3.4 | 3                         | 5.2 | 111  | 5.0  | 2.2 | 4                         | 4.0 | 176  | 3.1 | 2.1 |
|                                      |                              |        |                      | 10                         | 0.0 | 80   | 3.7 | 3.7 | 10                          | 5.8 | 52  | 5.0  | 4.3 | 4                         | 6.9 | 62   | 6.6  | 3.0 | 5                         | 5.0 | 113  | 3.8 | 2.6 |
|                                      |                              |        |                      | 12                         | 0.0 | 55   | 4.4 | 4.4 | 12                          | 6.9 | 36  | 6.0  | 5.1 | 5                         | 8.7 | 40   | 8.3  | 3.7 | 6                         | 6.0 | 78   | 4.6 | 3.1 |
| LLABR<br>26.7W 3000K<br>Flood        | 36°                          | 3,437  | 50,000               | 6                          | 0.0 | 95   | 4.0 | 4.0 | 6                           | 3.5 | 62  | 5.5  | 4.6 | 2                         | 3.5 | 107  | 7.9  | 2.6 | 3                         | 3.0 | 135  | 4.5 | 2.8 |
|                                      |                              |        |                      | 8                          | 0.0 | 54   | 5.3 | 5.3 | 8                           | 4.6 | 5   | 7.3  | 6.1 | 3                         | 5.2 | 48   | 11.8 | 4.0 | 4                         | 4.0 | 76   | 5.9 | 3.7 |
|                                      |                              |        |                      | 10                         | 0.0 | 34   | 6.6 | 6.6 | 10                          | 5.8 | 22  | 9.2  | 7.6 | 4                         | 6.9 | 27   | 15.8 | 5.3 | 5                         | 5.0 | 49   | 7.4 | 4.7 |
|                                      |                              |        |                      | 12                         | 0.0 | 24   | 7.9 | 7.9 | 12                          | 6.9 | 16  | 11.0 | 9.2 | 5                         | 8.7 | 17   | 19.7 | 6.6 | 6                         | 6.0 | 34   | 8.9 | 5.6 |

© 2015 Koninklijke Philips N.V. All rights reserved.  
 Philips reserves the right to make changes in specifications and/or to discontinue any product at any time without notice or obligation and will not be liable for any consequences resulting from the use of this publication.  
[philips.com/luminaires](http://philips.com/luminaires)



Philips Lighting, North America Corporation  
 200 Franklin Square Drive, Somerset, NJ 08873  
 Tel. 855-486-2216

Philips Lighting Canada Ltd.  
 A division of Philips Electronics Ltd.  
 281 Hillmount Rd, Markham, ON, Canada L6C 2S3  
 Tel. 800-668-9008