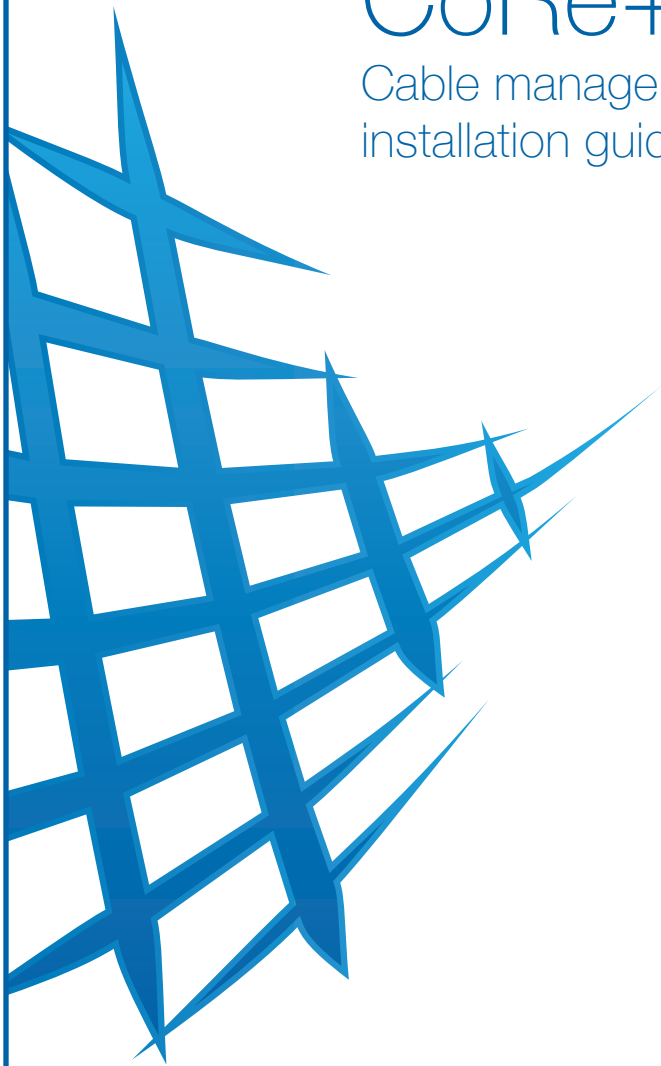


CoRe+™

Cable management system
installation guide



AddENERGIE
Solutions de recharge | Smart Charging Solutions

Table of contents

Presentation of the Guide 3

Wall mounted installation 5

Cable management system installation 7

Single charging station installation 8

Cable management system installation 9

Dual back-to-back charging station installation 10

Cable management system installation 11

Dual side-to-side charging station installation 12

*Side-to-side charging station supports and cable management systems
Installation* 13

Positioning the cable clamp 15

Positioning the poster panel 16

Introduction

This guide aims at describing how to install a Cable management system on a new charging station or on a device that has already been installed.

The Cable management system is reliable, made from aluminum and convenient to use. It's maintenance free and keeps cables safely off the ground.

The instructions have been adapted for each type of installation. There are four types: a) wall mounted installation; b) single charging station installation; c) dual back-to-back charging station installation; d) dual side-to-side charging station installation. Make sure to refer to the proper section of this guide, according to the type of installation you are about to do.

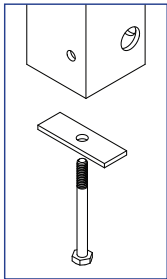
Other than instructions, you will find in this guide the list of parts that are included in the package, depending on the type of installation, as well a list of specific tools or material required to do the work as the case may be.

Wall mounted installation

Included material	Qty
Wall mounted cable management system columns and cable clamp	1
Lower wall mount bracket	1
Upper wall mount bracket	1
Spacing shims	2
Self-adhesive rubber band 35 mm X 9.5 mm (6 in X 13/8 in)	1
1/4-20 x 2 3/4 screw, 1/4-20 bolt and Split lock washer	1

Specific Tools or Material Required

- Wall attachment hardware material (6 mm [1/4 in] diameter screw, washers and wall anchors as required)



BEFORE GETTING STARTED

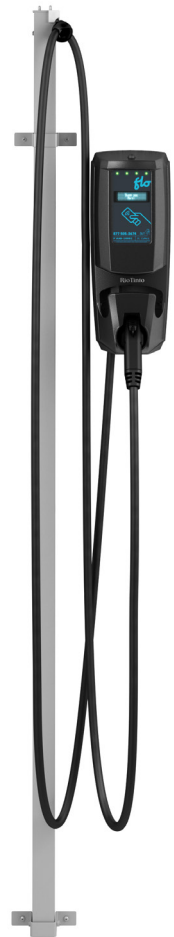
! When unpackaging the Cable management system, make sure to remove the security screw used to hold the counterweight during transport.

i Installing a new charging station and a Cable management system.

First, install the charging station. Refer to the CoRe+™ Installation Guide. Then, install the Cable management system as indicated on the following page.

i Installing a Cable management system on an existing wall mounted charging station.

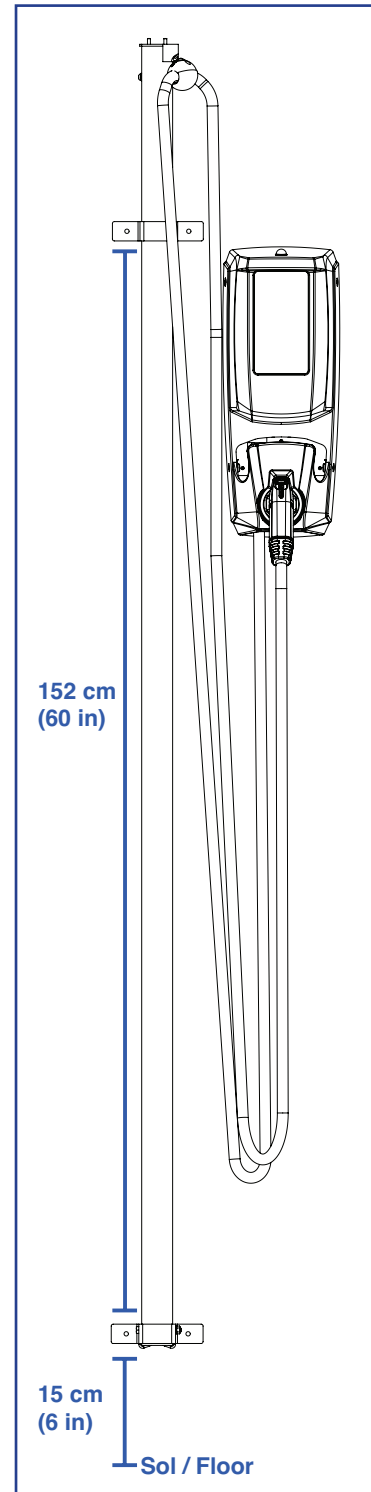
Install the Cable management system as indicated on the following page.



Before getting started

- Determine where the wall mount (column) will be placed. Allow 30 to 35 cm (12 to 14 in) between the column and the charging station.
- Determine what wall attachment hardware is required (wall anchors, screws and washers) to securely install the mount brackets to the wall. Use 6 mm (¼ in) diameter screws and anchors of the appropriate size, if the screws cannot be secured directly in a wall stud.

Recommendations : Install the column at least 15 cm (6 in) from the ground (allow enough clearance to facilitate floor cleaning). The upper wall mount bracket should be installed at least 152 cm (60 in) above the lower wall mount bracket.



Cable management system installation

1. First, install one of the two spacing shims and the lower wall mount bracket at the desired height by using two 6 mm (¼ in) diameter screws and appropriate washer. Make sure that both brackets are levelled horizontally.

Remark : The lower wall mount bracket can be identified by its factory pre-drilled holes.

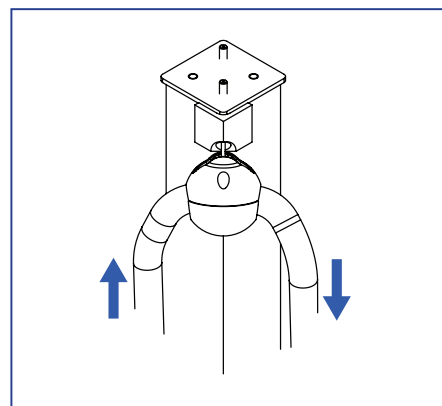
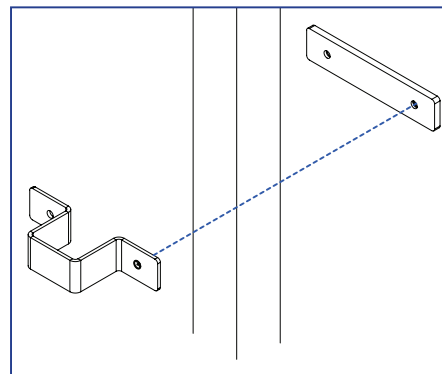
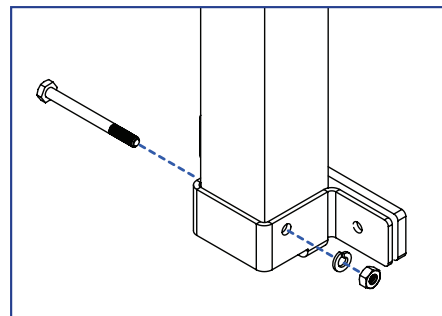
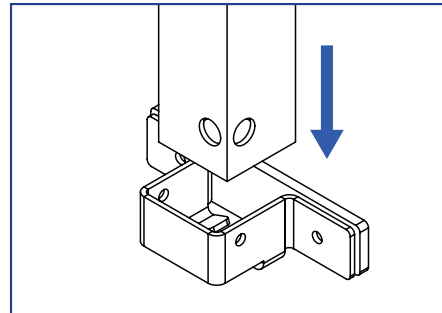
2. Sit the column in the lower wall mount bracket.

Remark : Make sure to position the Cable management system's cable clamp on the correct side, that is on the right or the left, according to where the charging station is located.

3. Secure the column by installing the screw and bolt in the lower wall mount bracket through the pre drilled holes with a ratchet wrench and an axel nut socket (the security screw that was used for holding the counterweight).

4. Install the top bracket and the rectangular spacing shim while inserting the column between the parts. Once you ensure that the bracket is flush with the plate and assembly is level, secure it with the appropriate screws (according to wall type).
5. Verify the column's angle with a level.

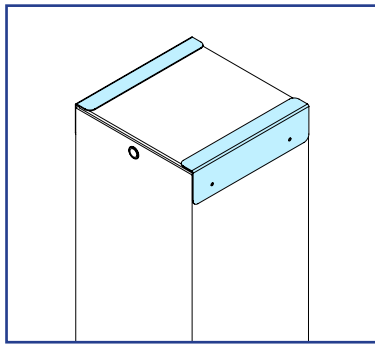
6. Proceed with the positioning of the cable clamp. Refer to **page 15**.
7. Pull on the Cable management system's cable a few times to ensure that all parts are moving freely.



Single charging station installation

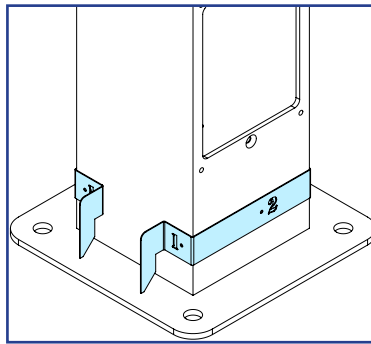
Included material	Qty
Cable management system columns and cable clamp	1
Empty column	1
Column mount bracket	2
Round spacing shims	2
Rectangular spacing shims	2
Self-adhesive rubber band	1
¼-20 screws (1") (for pre-drilled pedestal)	6
Self-drilling screws (1") (for pedestal with no holes)	6
Drilling template	1
Drilling template (bottom <i>pedestal</i>)	1

IF THE PEDESTAL IS NOT PRE-DRILLED, USE THE FOLLOWING DRILLING TEMPLATES:



Top Drilling template

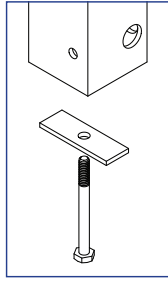
MEC-CST-00280



Bottom Drilling template

MEC-CST-00278

BEFORE GETTING STARTED



! When unpackaging the Cable management system, make sure to remove the security screw used to hold the counterweight during transport.

i Installing on a new single charging station.

First, install the pedestal and the charging station. Refer to CoRe+ MC Installation Guide for pedestal and CoRe+ MC Installation Guide respectively. Then, install the Cable management system as indicated below. If the pedestal is pre-drilled, use the 1/4-20 screws provided in the package. Otherwise, use the

drilling template and self-drilling screws also included with the kit. Refer to the illustration on the former page to know where to place the template on the pedestal, and mark the holes to drill.

i Installing on an existing single charging station.

Drill holes that will be used to install the mount bracket for the column with the Cable management system and the empty column. Use the drilling template and the self-drilling screws provided with the kit. Refer to the illustration on the former page to know where to place the template on the pedestal, and mark the holes to drill.



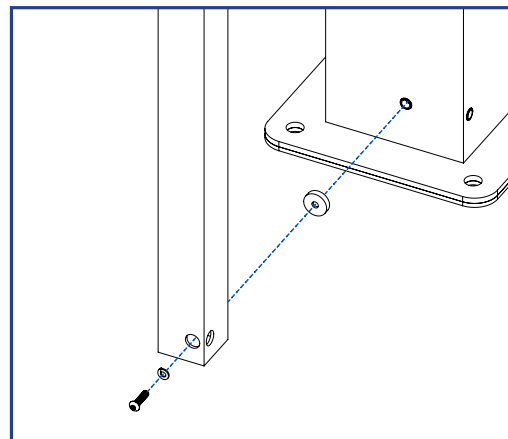
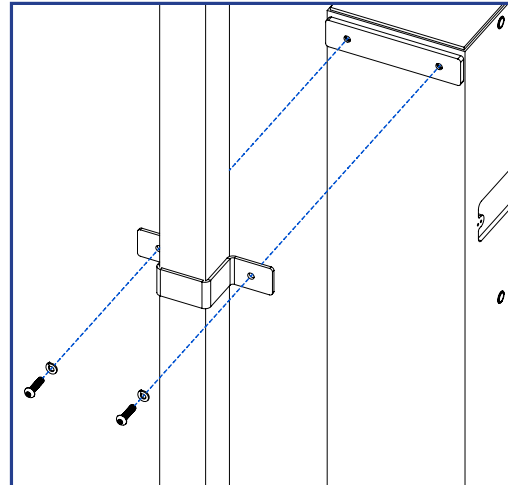
Cable management system installation

1. Install the rectangular spacing shim, place the column and then install the upper mount bracket on top. Screw parts loosely with 1/4-20 or self-drilling screws, depending on the type of pedestal you have, so the Cable management system column is maintained in place and moves freely to install the lower mounting hardware.

Recommendation : To position the column, when standing in front of the charging station, make sure to place the output of the Cable management on the exterior side.

2. Screw the column of the Cable management system by placing the round spacing shim (circled in red in the image included) between the pedestal and the column, and tighten the screws to solidly secure the column.
3. Secure the top bracket.
4. Install the empty column on the opposite side of the charging station by following the above steps 1 to 3.
5. Proceed with the positioning of the cable clamp. Refer to **page 15**.
6. Install the poster panel. Refer to **page 16**.

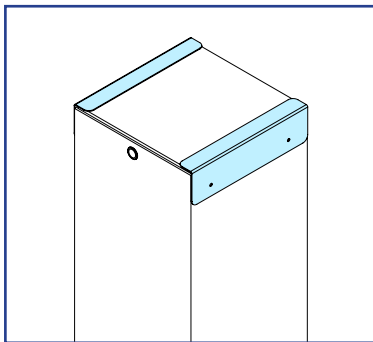
Caution : This pedestal is certified like an electrical enclosure, and any alteration must comply with local regulation.



Dual back-to-back charging station installation

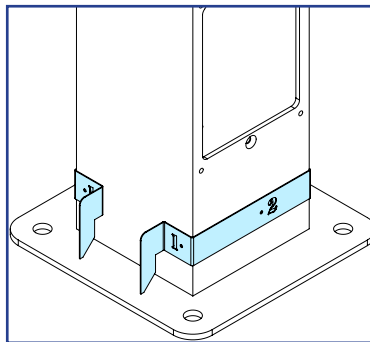
Included material	Qty
Cable management system columns and cable clamp	2
Top mounting brackets	2
Round spacing shims	2
Rectangular spacing shims	2
Self-adhesive rubber band	2
¼-20 screws (1") (for pre-drilled pedestal)	6
Self-drilling screws (1") (for pedestal with no holes)	6
Drilling template	1
Drilling template (bottom <i>pedestal</i>)	1

IF THE PEDESTAL IS NOT PRE-DRILLED, USE THE FOLLOWING DRILLING TEMPLATES:



Top Drilling template

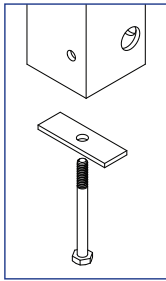
MEC-CST-00280



Bottom Drilling template

MEC-CST-00278

BEFORE GETTING STARTED



! When unpackaging the Cable management system, make sure to remove the security screw used to hold the counterweight during transport.

! Installing on new back-to-back dual charging stations.

First, install the pedestal and the two charging stations. Refer to CoRe+ MC Installation Guide for pedestal and CoRe+ MC Installation Guide respectively. Then, install the Cable management system as indicated below. If the pedestal is pre-drilled, use the

1/4-20 screws provided in the package. Otherwise, use the drilling template and self-drilling screws also included with the kit. Refer to the illustration on the former to know where to place the template on the pedestal, and mark the holes to drill.

! Installing on existing back-to-back dual charging stations.

Drill holes that will be used to secure the Cable management system attachment hardware. Use the drilling template and the self-drilling screws provided with the kit.



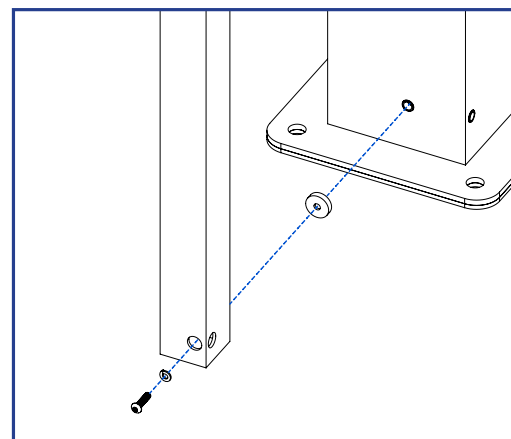
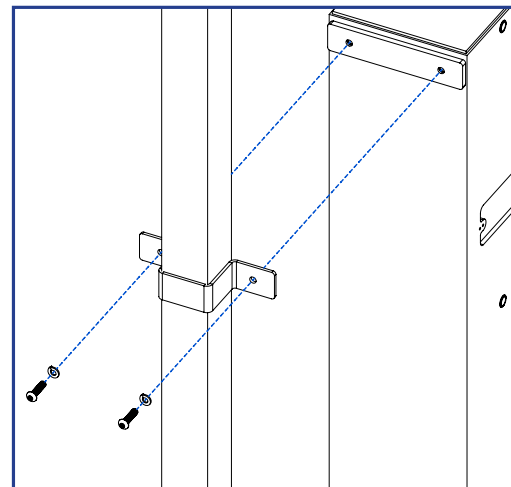
Cable management system installation

1. Install the rectangular spacing shim, place the column and then install the upper mount bracket on top. Screw parts loosely with 1/4-20 or self-drilling screws, depending on the type of pedestal you have, so the Cable management system column is maintained in place and moves freely to install the lower mounting hardware.

Recommendation : To position the column, when standing in front of the charging station, make sure to place the output of the Cable management on the exterior side.

2. Screw the column of the Cable management system by placing the round spacing shim (circled in red in the image included) between the pedestal and the column, and tighten the screws to solidly secure the column.
3. Secure the top bracket.
4. Install the empty column on the opposite side of the charging station by following the above steps 1 to 3.
5. Proceed with the positioning of the cable clamp. Refer to **page 15**.
6. Install the poster panel. Refer to **page 16**.

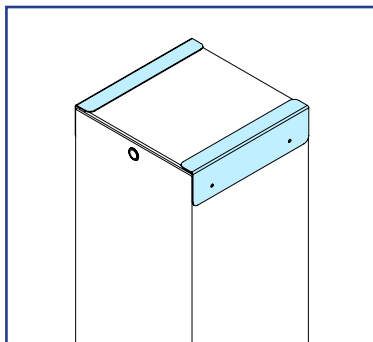
Caution : This pedestal is certified like an electrical enclosure, and any alteration must comply with local regulation.



Dual side-to-side charging station installation

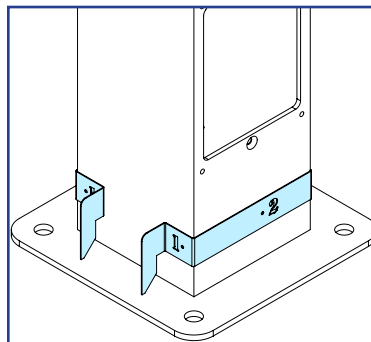
Included material	Qty
Cable management system columns and cable clamp	2
Round spacing shims	2
Self-adhesive rubber band	2
¼-20 screws (1") (for pre-drilled pedestal)	6
Self-drilling screws (1") (for pedestal with no holes)	6
Drilling template (for pedestal with no holes)	1
Charging station mount brackets (V-shape mount) and ¼-20 screws	2
Flexible tube	2
Column mount brackets, ¼-20 screws and bolts	4
Back cover and screws	2
Drilling template (bottom pedestal)	1
Gasket	2
Rectangular spacing shims	2

IF THE PEDESTAL IS NOT PRE-DRILLED, USE THE FOLLOWING DRILLING TEMPLATES:



Top Drilling template

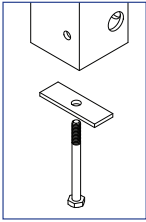
MEC-CST-00280



Bottom Drilling template

MEC-CST-00278

BEFORE GETTING STARTED



! When unpackaging the Cable management system, make sure to remove the security screw used to hold the counterweight during transport.

! Installing new side-by-side charging stations

- First, install the pedestal. Refer to CoRe+ MC Installation Guide for pedestal.
- Then, prepare installation material for the side-by-side charging station mount brackets and Cable management systems, and follow the instructions that are indicated below.
- Finally, install the charging stations. Refer to CoRe+ MC Installation Guide.
- Installing on existing side-by-side charging stations

Caution : Before getting started, cut off the current to prevent an electric shock.

INSTALLATION ON PRE-INSTALLED CHARGING STATIONS

1. Remove both charging stations from the pedestal so that you can install the new side-by-side charging station mount brackets and the two Cable management systems.
2. Remove the wiring as you will need to hook the charging stations to new wires.
3. Then, prepare installation material for the side-by-side charging station mount brackets and Cable management systems, and follow the instructions that are indicated below.
4. Reinstall the charging station on the new brackets.

Allow 10 «(30 cm) of additional electrical wiring to connect the new charging station to the installation.



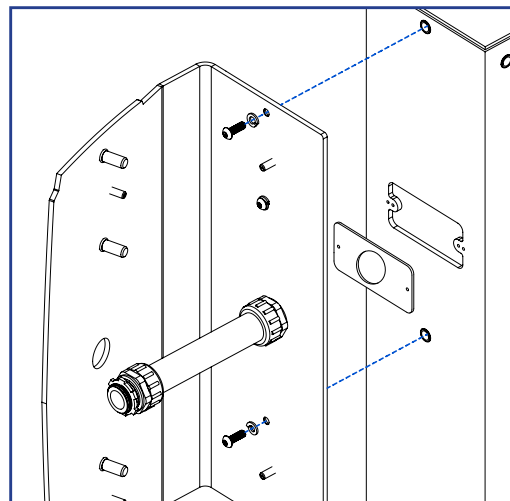
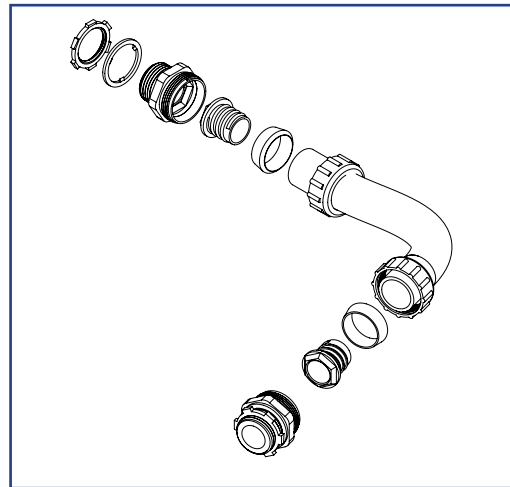
Side-to-side charging station supports and cable managements installation

1. Assemble the flexible tube.
2. Remove the plate giving you access to the electric wires at the bottom of the pedestal and allow 30 cm (10 in) of extra wiring so to connect the charging station once the flexible tube has been installed.
3. Screw the end of the flexible tube to the charging station mount bracket, on the pedestal side.
4. Pass wires through the flexible tube.
5. Screw the first charging station mount bracket to the pedestal* using the holes provided for this purpose with the included screws, that is, the holes that were used to secure the charging stations that were installed back-to-back previously.

Caution : This pedestal is certified like an electrical enclosure, and any alteration must comply with local regulation.

6. Place the column of the Cable management system inside the charging station mount bracket, place tightly in the corner.

Recommendation : To position the column, when you stand in front of the charging station, make sure to place the output (cable clamp) of the Cable management system on the exterior side, and a gasket is inserted between the pedestal and the back cover.



Side-to-side charging station supports and cable managements installation

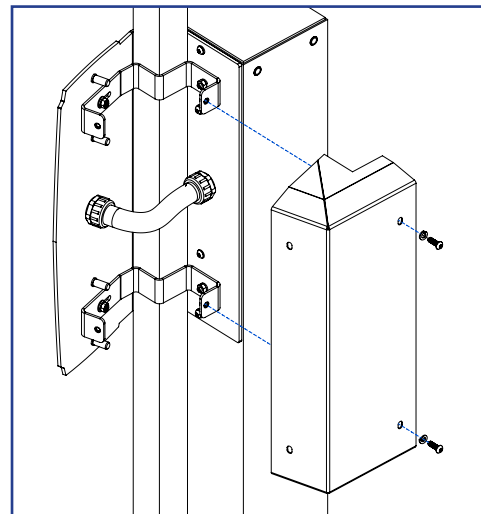
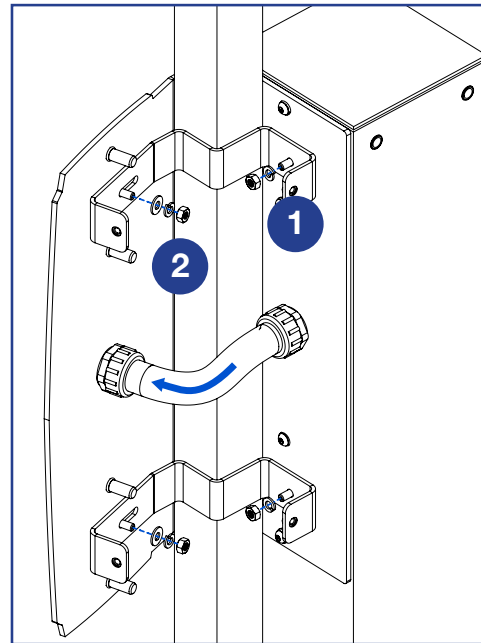
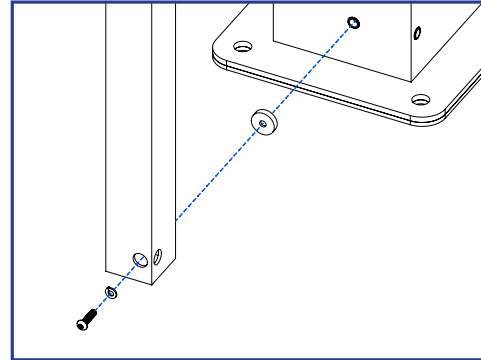
7. Screw the bottom column of the Cable management system by placing the round spacing shim between the pedestal and the column, and tighten the screws solidly to secure the column.
8. Insert the other end of the flexible tube in the hole provided for this purpose, and screw the bushing from the exterior of the charging station mount bracket so to maintain the flexible tube in place.

Remark : This will allow to hold the column during the installation of the bottom column mount brackets.

9. *Install both column mount brackets starting with the 1st assembly (1 on illustration) then proceed installing the 2nd (2 on illustration).*

Remarks : Each column mount bracket has a slot to make its installation easier, which must be place on the front side of the bracket, in other words on the side where the charging station will be installed. Do not screws the bolts too tight when placing the brackets so you can move them easily and position them correctly. Once everything is well positioned, tighten the bolts.

10. Secure the back cover in the column mount brackets with the four screws.
11. Install the second column on the opposite side of the charging station by following the above steps 1 to 10.
12. Install or reinstall the charging stations. Refer to the CoRe+ MC Installation Guide if need be.
13. Proceed with the positioning of the cable clamp. Refer to **page 15**.
14. Install the poster panel. Refer to **page 16**.

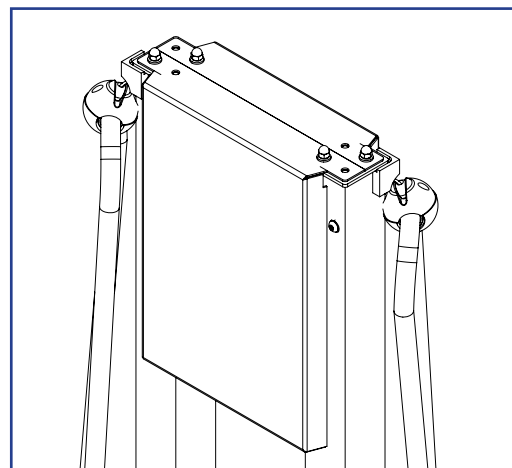
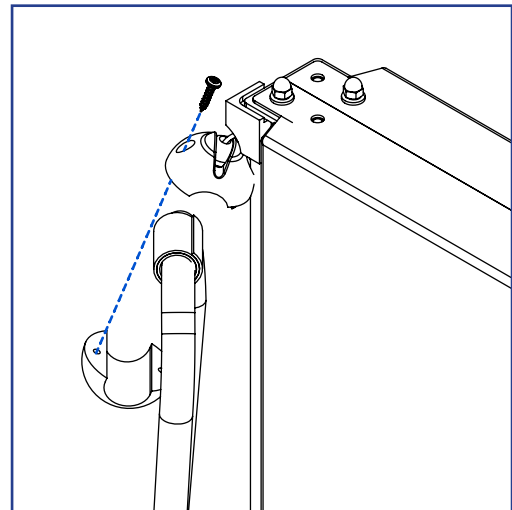
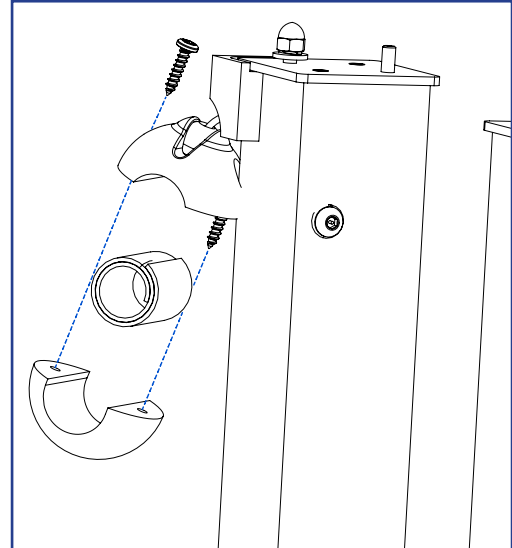


Positioning the cable clamp

1. Pull on the cable of the Cable management system to hold the cable clamp in your hand.
2. Remove Torx screws.
3. Determine where to position the charging station cable clamp.

Recommendation : The cable portion between the clamp and the charging connector must not touch the ground when the Cable management system is completely retracted. The cable should hang about 5 cm (2.5 in) above the ground.

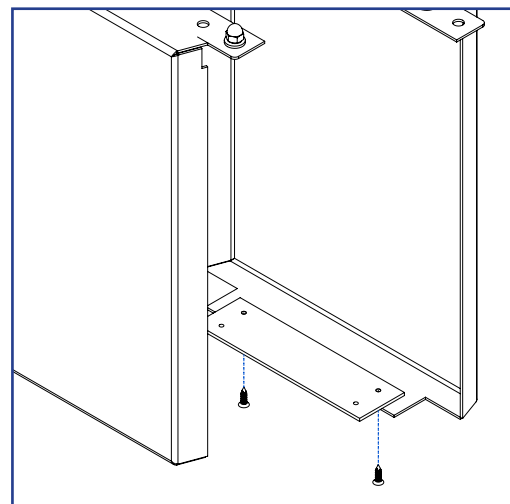
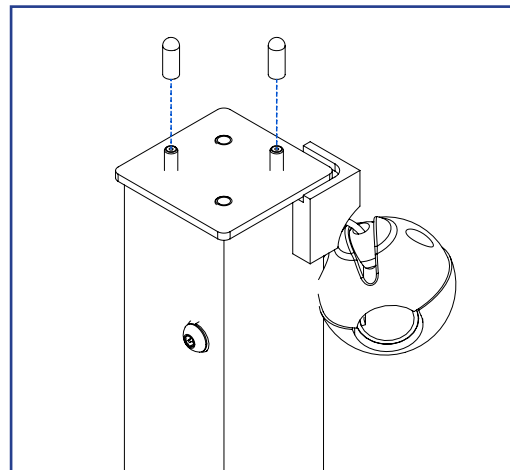
4. Apply the self-adhesive rubber band around the cable for protection purposes. **Set the clamp over the band and reinsert the screws in it by adjusting the torque of your tool to 7 in-lb.**
5. Let the cable retract itself. Verify the clearing between the charging station cable and the ground.
6. Roll the cable overhang around the charging station cable holder.



Positioning the poster panel

Matériel fourni / Included material	Qty / Qté
Poster panel (including two sides)	2
Attachment plate and screws	1
Bolts	4
Washers	4
Rondelle de blocage / Split Lock Washer	4

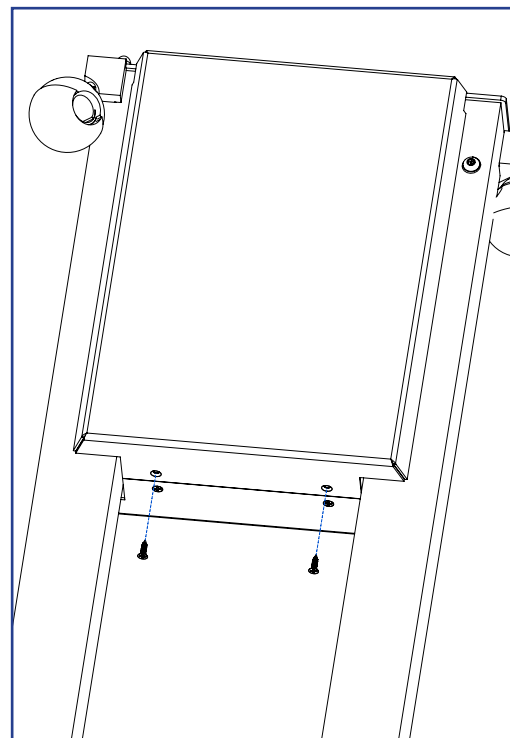
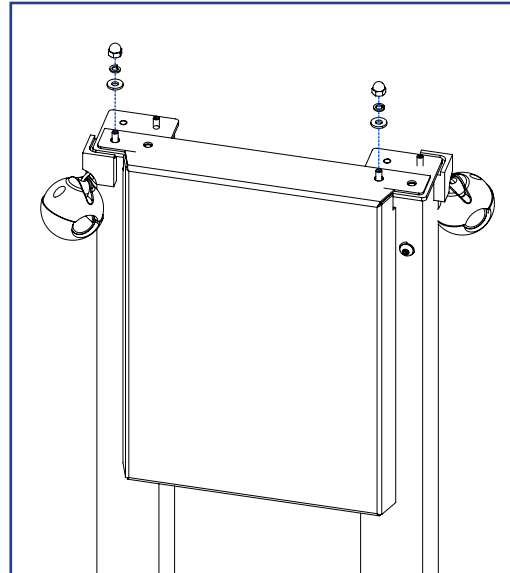
1. The top of the columns has embedded screws with rubber caps and washers attached to them. Remove them and set aside.
2. The poster panel is comprised of two parts. Before installing it, secure the attachment plate to the base of one of the panels with the screws provided. The plate is placed inside the panel, and the screws are inserted inwards.



Positioning the poster panel

3. Place this panel on top of the columns by aligning the panel holes with the embedded screws and secure the assembly.
4. Install the second panel as mentioned in step number 3, and screw the attachment plate to assemble both panels together.
5. Screw the bolts and washers on the second panel.

Remark : If you are installing a charging station “for private use”, make sure to affix the self-adhesive label included for this purpose.



Installation or commissioning questions:

(877) 505-2674 ext. 203

AddÉnergie Technologies Inc.

Head office: 2327, Versant Nord Boulevard, office 120, Québec (QC) G1N 4C2 CANADA

Ontario office: 7420 Airport Road, Mississauga (ON) L4T 4E5 CANADA

Contact Us



T. 1 877 505-2674
F. 855 505-2674
info@addenergie.ca