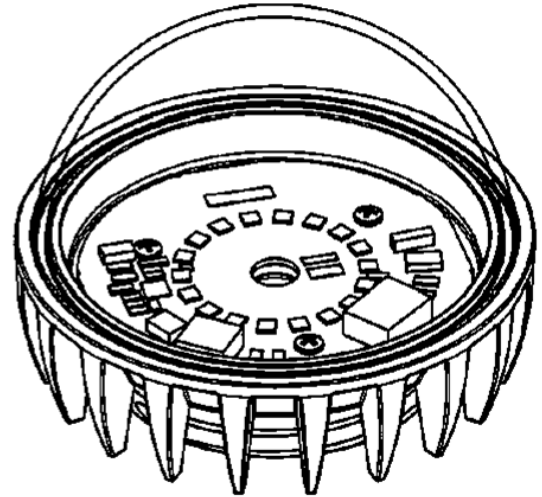
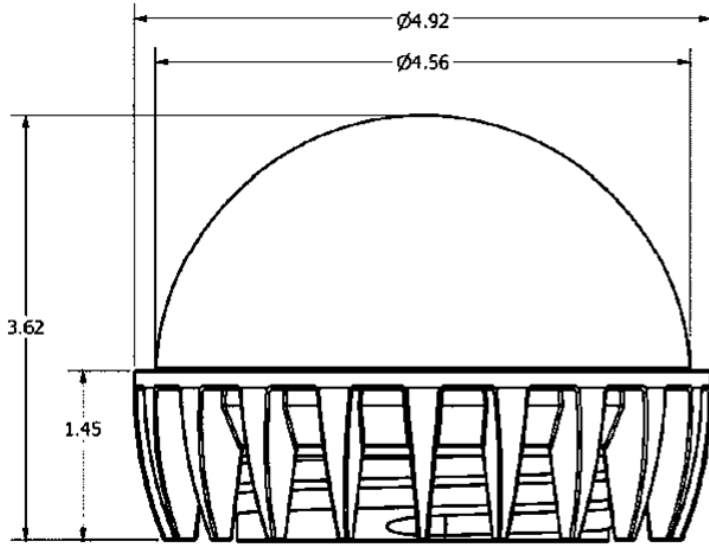


Unit: Inches



<p>SIZES SHOWN ARE FOR REFERENCE 3D MODEL IS TO BE USED FOR MANUFACTURING / VERIFICATION</p>		<p>ALL CHANGES MUST BE APPROVED AND RECORDED BY ENGINEERING</p>		
<p>UNIT: INCHES UNLESS DUAL DIMENSION: INCH (METRIC)</p>	<p>PROJECTION</p>			
<p>THIS DRAWING AND ALL TECHNICAL INFORMATION APPEARING HEREON ARE PROPERTY OF IPEX TECHNOLOGIES INC. AND MUST BE KEPT IN CONFIDENCE BY THE RECIPIENT. THE SAME MAY NOT BE USED OR REPRODUCED EITHER IN WHOLE OR IN PART WITHOUT THE EXPRESS CONSENT OF IPEX TECHNOLOGIES INC.</p>		<p>TITLE</p> <p>15W LED RETROFIT KIT</p>		
		<p>PAPER SIZE ANSI B</p>	<p>NAME</p> <p>Z.Liu</p>	<p>DATE</p> <p>1/17/2018</p>
<p>PART APPEARANCE:</p>	<p>COLOR:</p>	<p>APP'D</p>	<p>MAT'L:</p>	
<p>SURFACE FINISHES: (UNLESS OTHERWISE NOTED)</p> <p>INSIDE:</p> <p>OUTSIDE:</p> <p>OTHER:</p>		<p>DIMENSIONS ARE IN INCHES TOLERANCES (UNLESS OTHERWISE SPECIFIED)</p> <p>FRACTIONAL ±1/32</p> <p>XX ±0.015</p> <p>XXX ±0.010</p> <p>XXX ±0.005</p> <p>ANGULAR ±1.0</p>	<p>CRITICAL DIMENSIONS ARE SHOWN AS **Z.SI**</p> <p>REFERENCE DIMENSIONS ARE SHOWN WITH REF. NOTE</p>	<p>PRODUCT CODE: 277018</p>
<p>FILENAME: <input checked="" type="checkbox"/></p>	<p>FOLDER: <input checked="" type="checkbox"/></p>	<p>PROJECT No.</p>		