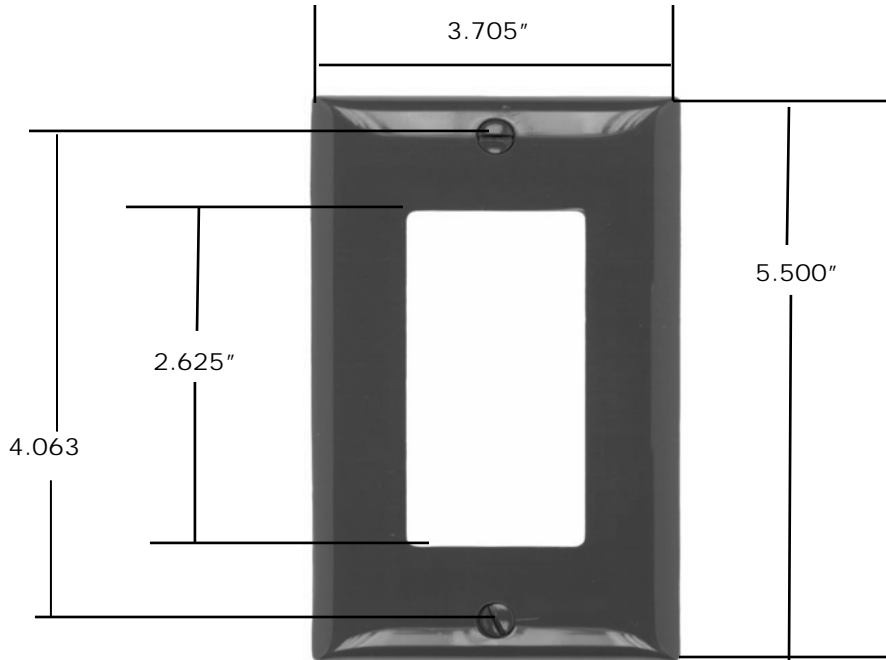


# Shop Drawing

Date

Project:

Approved By:



|              |                  |                           |
|--------------|------------------|---------------------------|
| Description: | Material:        | Thermoset Plastic         |
|              | Style:           | Decorator Opening         |
|              | Number of Gangs: | 1, 347V                   |
|              | Colours:         | Black, Grey, Ivory, White |
|              | Compliances:     | CSA Certified, UL: UL514  |



9024 Keele Street  
Vaughan, ON L4K 2N2  
Tel: 905-738-9195 Fax: 905-738-9721

Catalogue No.: SP26-347

Description: 347V Wall Plate