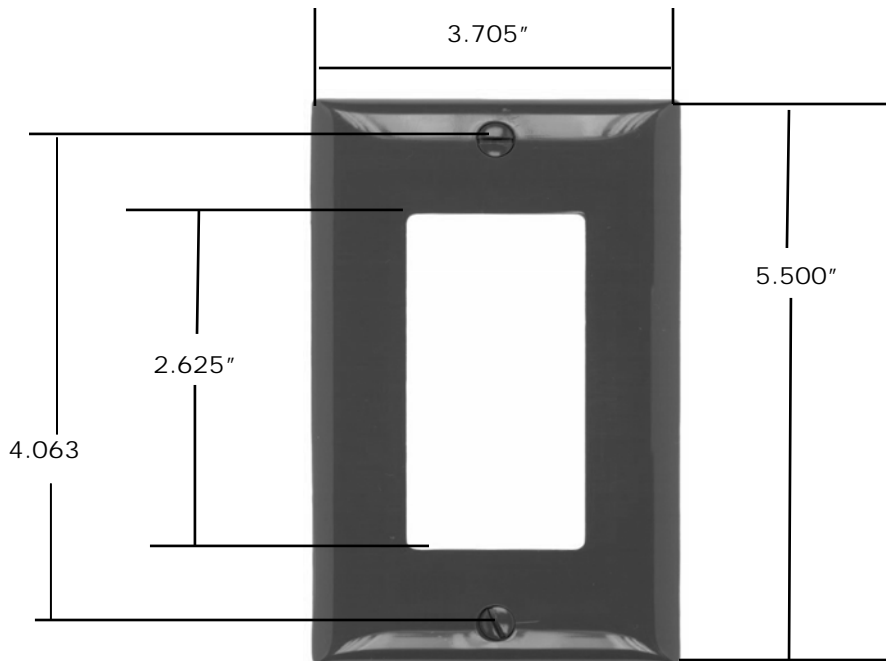


Shop Drawing

Date

Project:

Approved By:



Description:	Material:	Thermoset Plastic
	Style:	Decorator Opening
	Number of Gangs:	1, 347V
	Colours:	Black, Grey, Ivory, White
	Compliances:	CSA Certified, UL: UL514



9024 Keele Street
Vaughan, ON L4K 2N2
Tel: 905-738-9195 Fax: 905-738-9721

Catalogue No.: SP26-347

Description: 347V Wall Plate