

Outlet Boxes and Covers – Hazardous Locations

Technical Specifications



Applications :

- Junction for branch conduits in hazardous locations
- Accessible wiring chamber provides a convenient location to maintain or change a system, pull conductors and make splices
- Internal hub design ideal for installation where space is limited

Features/Benefits :

- Copper-free (less than 0.004 copper content) aluminum provides increased corrosion resistance
- Precision cast and machined surfaces permit safer wire pulling
- Precision NPT threaded hubs allow trouble-free field installation for rigid or IMC conduit
- Die cast construction and industrial design combine to produce a rugged protective enclosure for devices on industrial and OEM applications
- Clear UL, CSA and cubic content markings speed approval by inspectors

Standard Materials :

- Die cast aluminum alloy A360 (less than 0.004 copper content)

Standard Finish :

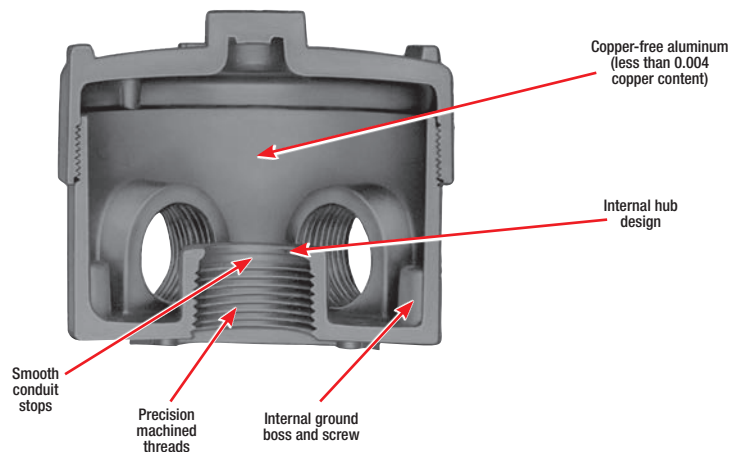
- Aluminum lacquer finish

Compliances :

Compliances as noted on each page of the catalogue include:

- CSA Certified
- UL Listed
- Suitable for hazardous locations

Class I, Groups C, D	NEMA 7CD
Class II, Groups E, F, G	9EFG
Class III, Divisions 1 and 2	12

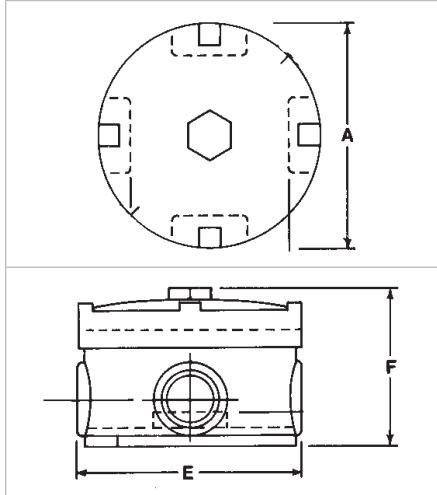


Outlet Boxes and Covers – Hazardous Locations

Internal Hubs with installed Green Ground Screw



EXUN-1



Cat. No.	Hub Size (in.)	Description	A (in.)	E (in.)	F (in.)	Cu. (in.)
5 Hole Outlet Boxes (Cast Aluminum)						
EXUN-1	1/2	5 outlets with 3 close-up plugs	3-31/32	4	3-3/8	20.3
EXUN-2	3/4	5 outlets with 3 close-up plugs	3-31/32	4	3-3/8	20.3
EXUN-3	1	5 outlets with 3 close-up plugs	3-31/32	4	3-9/16	20.0
4 Hole Outlet Boxes (Cast Aluminum)						
EXUN-11	1/2	4 outlets with 2 close-up plugs	3-31/32	4	3-3/8	20.3
EXUN-22	3/4	4 outlets with 2 close-up plugs	3-31/32	4	3-3/8	20.3

Outlet Boxes and Covers – Hazardous Locations

Technical Specifications



Applications :

- Junction for branch conduits in hazardous locations
- Accessible wiring chamber provides a convenient location to maintain or change a system, pull conductors and make splices
- Unique mounting pads and external hub design ideal for installations of OEM devices or instruments

Features/Benefits :

- Copper-free (less than 0.004 copper content) aluminum provides increased corrosion resistance
- Precision cast and machined surfaces permit safer wire pulling
- Precision NPT threaded hubs allow trouble-free field installation for rigid or IMC conduit
- Die cast construction and industrial design combine to produce a rugged protective enclosure for devices on industrial and OEM applications
- Clear UL, CSA and cubic content markings speed approval by inspectors

Standard Materials :

- Die cast aluminum alloy A360 (less than 0.004 copper content)

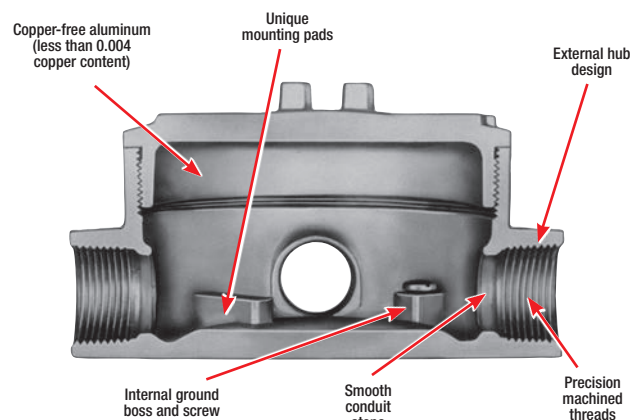
Standard Finish :

- Aluminum lacquer finish

Compliances :

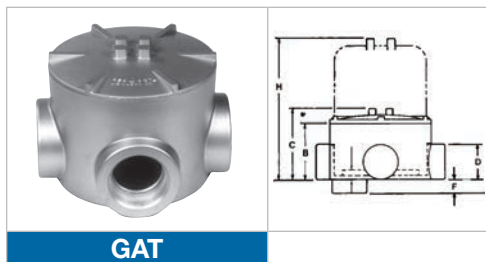
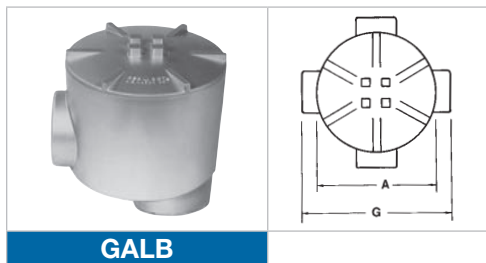
Compliances as noted on each page of the catalogue include:

- CSA Certified
- UL Listed
- Class I, Div. 1 and 2, Groups C, D – Explosion proof
- Class II, Div. 1, Groups E, F, G – Dust-Ignition proof
- Class III, Div. 1 and 2 – Raintight
- NEMA 3, 4, 7 CD, 9 EFG – Wet Locations



Outlet Boxes and Covers – Hazardous Locations

Internal Hubs with installed Green Ground Screw



Cat. No.	Hub Size (in.)	Cover Opening	A (in.)	B (in.)	C (in.)	D (in.)	F (in.)	G (in.)	H (in.)	Cu. (in.)
Through Feed with Surface (Cast Aluminum)										
GAC-1	1/2	3-11/16	4	2-1/4	2-15/16	1-3/8	1-1/16	5-3/16	5-9/16	18.8
GAC-2	3/4	3-11/16	4	2-1/4	2-15/16	1-3/8	1-1/16	5-3/16	5-9/16	18.8
“LB” Style with Surface Cover (Cast Aluminum)										
GALB-1	1/2	3-11/16	4	2-1/4	2-15/16	1-3/8	1-1/16	5-3/16	5-9/16	18.0
GALB-2	3/4	3-11/16	4	2-1/4	2-15/16	1-3/8	1-1/16	5-3/16	5-9/16	18.0
GALB-3	1	3-11/16	4	2-1/4	2-15/16	1-3/8	2-7/32	5-1/2	5-9/16	18.0
GALB-4	1-1/4	3-29/32	4-5/16	3	3-11/16	2-1/16	7/8	5-11/16	-	28.0
GALB-6*	2	5-3/16	5-3/4	4-1/4	5-1/16	2-7/8	7/8	6-5/8	-	69.3
“T” Style with Surface Cover (Cast Aluminum)										
GAT-1	1/2	3-11/16	4	2-1/4	2-15/16	1-3/8	1-1/16	5-3/16	5-9/16	18.8
GAT-2	3/4	3-11/16	4	2-1/4	2-15/16	1-3/8	1-1/16	5-3/16	5-9/16	18.8
GAT-3	1	3-11/16	4	2-1/4	2-15/16	1-3/8	2-7/32	5-1/2	5-9/16	18.8
GAT-4	1-1/4	3-29/32	4-5/16	3	3-11/16	2-1/16	7/8	5-11/16	-	28.8
“L” Style with Surface Cover (Cast Aluminum)										
GAL-1	1/2	3-11/16	4	2-1/4	2-15/16	1-3/8	1-1/16	5-3/16	5-9/16	18.8
GAL-2	3/4	3-11/16	4	2-1/4	2-15/16	1-3/8	1-1/16	5-3/16	5-9/16	18.8
GAL-3*	1	3-11/16	4	2-1/4	2-15/16	1-3/8	2-7/32	5-1/2	5-9/16	18.8
“X” Style with Surface Cover (Cast Aluminum)										
GAX-1	1/2	3-11/16	4	2-1/4	2-15/16	1-3/8	1-1/16	5-3/16	5-9/16	18.8
GAX-2	3/4	3-11/16	4	2-1/4	2-15/16	1-3/8	1-1/16	5-3/16	5-9/16	18.8
GAX-3*	1	3-11/16	4	2-1/4	2-15/16	1-3/8	2-7/32	5-1/2	5-9/16	18.8

Suffix-OR: O-ring available for NEMA 4 rating

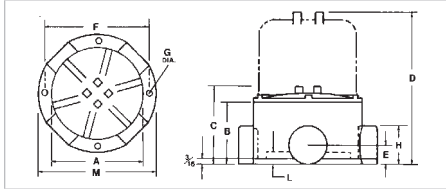
* Made to order items. Consult your Regional Sales Office for lead time and minimum quantities

Outlet Boxes and Covers – Hazardous Locations

Internal Hubs with Green Ground Screw, Covers and Plugs



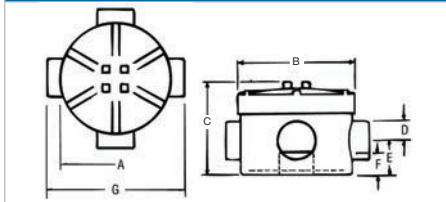
GAFX



Cat. No.	Hub Size (in.)	Cover Opening	A (in.)	B (in.)	C (in.)	D (in.)	F (in.)	G (in.)	H (in.)	M (in.)	Cu. (in.)
“X” Style with Flange and Surface Cover (Cast Aluminum)											
GAFX-1	1/2	3-11/16	4	2-1/4	2-15/16	5-9/16	4-1/2	1/4	1-3/8	3-5/16	20.0
GAFX-2	3/4	3-11/16	4	2-1/4	2-15/16	5-9/16	4-1/2	1/4	1-3/8	3-5/16	20.0
GAFX-3-OR*	1	3-11/16	4	2-1/4	2-15/16	5-9/16	4-3/4	5/16	1-3/8	5-1/2	19.0



GAJU



Cat. No.	Hub Size (in.)	A (in.)	B (in.)	C (in.)	D (in.)	E (in.)	F (in.)	G (in.)
“U” Style with Canopy Cover (Cast Aluminum)								
GAJU-2*	3/4	4	4-3/16	4	13/16	1-1/2	31/32	5-3/16
GAJU-3	1	4	4-3/16	4	13/16	1-1/2	31/32	5-3/16
GAJU-6	2	5-3/4	6-7/16	6-5/8	1-7/16	2-1/16	1-1/2	6-5/8

* Made to order items. Consult your Regional Sales Office for lead time and minimum quantities.

Outlet Boxes and Covers – Hazardous Locations

Internal Hubs with installed Green Ground Screw



Cat. No.	Cover Opening (in.)	Fits Boxes (in.)
Dome Style Cover – Inside Height 2-5/8 in. (Class I, Group D only) (Cast Aluminum)		
GAD-123*	3-11/16	1/2, 3/4, 1
Canopy Style Cover (Cast Aluminum)		
GAJ-123*	3-11/16	1/2, 3/4, 1
GAJ-4*	3-29/32	1-1/4
GAJ-56*	5-3/16	1-1/2, 2
Surface Style Cover (Cast Aluminum)		
GAS-123*	3-11/16	1/2, 3/4, 1
GAS-4*	3-29/32	1-1/4
GAS-56*	5-3/16	1-1/2, 2

* Made to order items. Consult your Regional Sales Office for lead time and minimum quantities



Cat. No.	Hub Size (in.)
Close-up Plugs for Hazardous Locations (Cast Aluminum)	
XPLG-1	1/2
XPLG-2	3/4
XPLG-3	1
XPLG-4	1-1/4
XPLG-5	1-1/2
XPLG-6	2

Outlet Boxes and Covers – Hazardous Locations

Technical Specifications

Applications :

- Junction for branch conduits in hazardous locations
- Accessible wiring chamber provides a convenient location to maintain or change a system, pull conductors and make splices.

Features/Benefits :

- Copper-free (less than 0.004 copper content) aluminum alloy provides increased corrosion resistance
- Extra wide 3-3/4 in. opening provides more hand space for easy access to the wiring chamber
- Precision cast and machined surfaces permit safer wire pulling
- Large capacity 31 cu. in. chamber provides more wiring space
- Precision NPT threaded hubs allow trouble-free field installation for rigid or IMC conduit
- Sand cast construction and industrial design combine to produce a rugged protective enclosure for devices on industrial and OEM applications
- Clear UL, CSA and cubic content markings speed approval by inspectors
- Hub spacing allows use of EXFU and EXMU unions

Standard Materials :

- Box: Sand Cast aluminum alloy A356.2-T6
- Cover: Die Cast aluminum alloy A360 (less than 0.004 copper content)

Standard Finish :

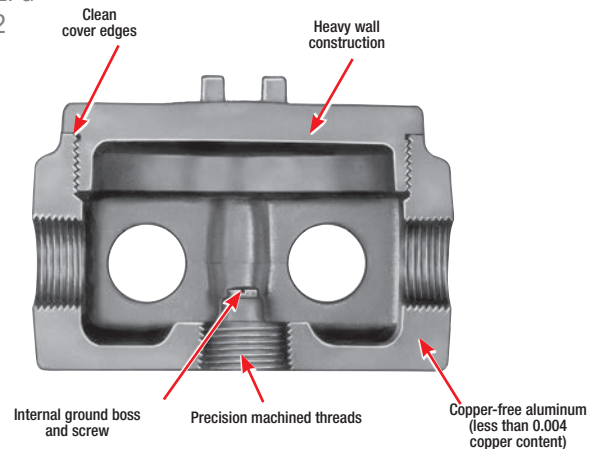
- Aluminum lacquer finish

Compliances :

Compliances as noted on each page of the catalogue include :

- Certifiées CSA
- CSA Certified
- UL Listed
- NEC
- Suitable for hazardous locations

Class I, Groups C, D	NEMA 7CD
Class II, Groups E, F, G	9EFG
Class III, Divisions 1 and 2	12



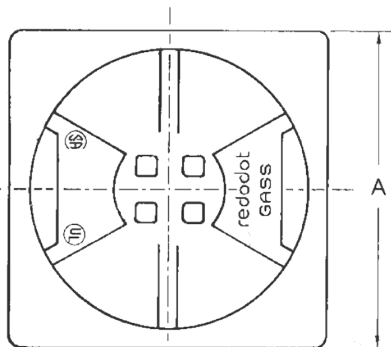
Outlet Boxes and Covers – Hazardous Locations

Internal Hubs with Green Ground Screw, Covers and Plugs



Cat. No.	Hub Size (in.)	Cover Opening (in.)	A (in.)	B (in.)	C (in.)	D (in.)	E (in.)	G (in.)	H (in.)	Cu. (in.)
Outlet Boxes with Surface Cover (Cast Aluminum)										
GASS-1	1/2	4	4-5/8	2-3/8	3-3/8	2-3/16	1-3/16	3/4	4	31
GASS-2	3/4	4	4-5/8	2-3/8	3-3/8	2-3/16	1-3/16	3/4	4	31
GASS-3	1	4	4-5/8	2-3/8	3-3/8	2-3/16	1-3/16	3/4	4	31

GASS



Dimensions of all styles when GASS cover is used

