



Calculite LED 4" generation 3 features industry leading visual comfort, excellent uniform illumination over time, and patented installation flexibility.

Standard luminaire: Complete luminaire = Frame + Engine + Trim + Accessories (optional)

Buy American Act of 1933 (BAA)² Compliant luminaire*: Complete luminaire = Frame-BAC + Engine-BAC + Trim-BAC

* BAA compliance requires that BAC option be selected for each of frame, engine, and trim. Frame and engine will be ordered/shipped together; trim will be ordered/shipped separately. Accessories (optional) are not currently BAA-compliant.

Project: _____
 Location: _____
 Cat.No: _____
 Type: _____
 Lamps: _____ Qty: _____
 Notes: _____

Frame

standard example: 4RN | BAC example: 4RN-BAC

Series	Installation	Voltage / Options
4R		
4R 4" Non-IC Round	N New construction	— Universal 120V/277V (specify for Power Over Ethernet) RADIO Integral Interact Pro RF sensor (enables wireless connected lighting control) ¹ EM Emergency (see page 2 for details and limitations) ² LC Chicago Plenum ³
	R Remodeler	— Universal 120V/277V (specify for Power Over Ethernet) 3 347V (not compatible with ELV dimming)
		3 347V (not compatible with ELV dimming) 3RADIO 347V Integral Interact Pro RF sensor (enables wireless connected lighting control) ¹ BAC Meets the requirements of the Buy American Act of 1933 (BAA) ⁴
		BAC Meets the requirements of the Buy American Act of 1933 (BAA) ⁴

Engine

standard example: C4L15835NZ10U | BAC example: C4L15835NZ10U-BAC

Series	Lumens	CRI	CCT	Beam	Dimming	Voltage	Options
C4L							
C4L Calculite LED 4"	05 500lm (Z10 only)	8 80CRI	27 2700K	M Medium (56°)	Z10 0-10V 1% SOL EldoLED Solo 0-10V 0.1% D Dali 0.1% L Lutron LDE1 EcoSystem (fade-to-black) DMX Digital Multiplexing	U Universal 120V/277V/347V	BAC Meets the requirements of the Buy American Act of 1933 (BAA) ⁴
	10 1000lm	9 90CRI	30 3000K	W Wide (76°)			
	15 1500lm		35 3500K		E ELV (for up to 2000lm only)	1 120V	
	20 2000lm		40 4000K		P Power over Ethernet (PoE)	E Ethernet 48V DC	
	25 2500lm ⁵				Only compatible with 1000 (10) to 2500 (25) lumen configurations.		
	30 3000lm ⁵						

Trim

standard example: C4RWWCCP | BAC example: C4RWWCCP-BAC

Series	Aperture	Style	Finish	Flange	Options
C4	R				
C4 Calculite LED 4"	R Round	WW Open Wall Wash LW Lensed Wall Wash CW Corner Wall Wash ⁶ DW Double Wall Wash ⁶	BK Black (anodized) CL Specular clear	CC Comfort clear CD Comfort clear diffuse CZ Champagne bronze	BAC Meets the requirements of the Buy American Act of 1933 (BAA) ⁴
			WH White (matte)	— White (matte) P Polished (matches aperture) F Flangeless (requires CA4RFT)	
				— White (matte) F Flangeless (requires CA4RFT)	

Accessories (Not currently BAA-compliant)

SBA	Interact Ready System Bridge Accessory (refer to Philips System Bridge Accessory spec sheet for options and details) ⁷	CA4RFT	Mud-in ring for use in 4" round flangeless trim installations (ordered with a flangeless trim)
SWZDT	SpaceWise wireless controller with dwell time functionality (compatible with all 0-10V options, see SWZDT spec sheet)	CAEM	Field instalable EM pack (for use with new construction frame only)
7920	Sloped ceiling 4" adapter for 4RN and 4RA frames	AMS	ActiLume multi-sensor (optional accessory for PoE configurations)

- Interact Pro (RADIO & 3RADIO) requires above ceiling access.
- Emergency (EM) frame includes emergency battery with ceiling and reflector mountable test switch (see page 2 for details and limitations).
- Chicago Plenum (LC) frame is not available for Buy American Compliant (BAC) configurations.
- Failure to properly select the "BAC" suffix could result in you receiving product that is not BAA compliant product with no recourse for an RMA or refund. This BAC designation hereunder does not address (i) the applicability of, or availability of a waiver under, the Trade Agreements Act, or (ii) the "Buy America" domestic content requirements imposed on states, localities, and other non-federal entities as a condition of receiving funds administered by the Department of Transportation or other federal agencies.
- The 2500lm (25) and 3000lm (30) packages have marked spacing requirements (see page 3).
- Corner (CW) and Double (DW) are not compatible with flangeless (F) option.
- Requires IRT9015 IR remote & Interact Pro App for commissioning.



C4RWW Calculite LED 4" gen 3

Round Wall Wash

Frame-in-kits

New Construction:

Galvanized stamped steel for dry or plaster ceilings. Preinstalled telescoping mounting bars from 13" to 24". For 4' distances, use 1/2" EMT, 1-1/2" x 1/2" U or C channel.

Max ceiling thickness for Lensed Wall Wash (LW) is 1-1/2" and for Open, Corner, Double Wall Wash (WW, CW, DW) is 2".

Emergency:

For reflector mounted emergency test switch add "EM" to end of catalog code (example: C4RWWCCEM). Leave blank for ceiling mounted test switch. Reflector mounted test switch requires above ceiling access.

Patented install Mounting frame:

- Pre-installed mounting bars for fast and tool-less installs into T-grid & hat channel ceilings.
- Close-cut aperture design eliminates possibility of gap between ceiling opening and reflector flange.
- Separate wiring compartment for wiring frame to building allows inspection prior to light engine install.
- Simple plug-and-play connection between frame and light engine from below ceiling.

Dimming

- Advance 0-10V 1% dimming
- Lutron Hi-lume EcoSystem H Series 1% dimming
- EldoLED ECOdrive Dali 1% dimming
- EldoLED SOLOdrive 0-10V 0.1% dimming
- EldoLED DMX POWERdrive

Power over Ethernet

Powered via Lightolier PoE lighting controller:

Complies with FCC rules per Title 47 part 15 (Class A) for EMI / RFI (conducted & radiated). PoE lighting controller accessible from below ceiling.

Optical systems

Comfort throughout the space:

True 50° physical cutoff and 45° reflected cutoff

Quality of light:

2 SDCM ensures color consistency from fixture to fixture and over the luminaire's long lifetime.

Light Engine

Quick connect power pack allow for easy installation and replacement from below ceiling with no need for additional wiring. This allows for:

- Frame and ceiling installation to be performed while still finalizing details such as lumen packages, CCT and control type.
- Easy replacement of electronics at end of life with minimal wasted material and labor required.
- Ease and upgradability of technology.

Options and Accessories

Flangeless mud-in ring: Use **CA4RFT** for use with flangeless plaster installations.

Sloped ceilings: Compatible with sloped ceiling adapters (see **SCA** spec sheet).

Vandal Proof: Use **C4RVPWH** for an IP65 rated vandal proof matte white accessory. Must be ordered with a flangeless trim. Must be ordered with flangeless trim and new construction frame.

ENERGY STAR® exceptions

- 500lm & 90 CRI configurations
- Champagne Bronze & Black finishes
- 347V & Emergency voltage/options
- Dali, EldoLED Solo & PoE drivers

Title 24 exceptions

- 1000lm configurations
- Champagne Bronze & Black finishes

Labels and Listings

- cULus listed for wet locations
- ENERGY STAR® certified
- CEC Title 24 JA8 certified
- CCEA (frames with *LC suffix)

Warranty



5 year limited warranty
Visit [Signify.com/warranties](https://www.signify.com/warranties) for more information on Signify's standard 5-year limited warranty on complete luminaire systems.

C4RWW Calculite LED 4" gen 3

Round Wall Wash

Wireless Controls Options

Interact Pro scalable sensor

(System Bridge Accessory with -CS option):

- CS is a connected sensor with integral occupancy and daylight sensing and supports wireless mesh connectivity.
- The sensor works in the Foundation mode (similar to SpaceWise) when configured without a gateway or in an Interact Pro Advanced or Enterprise mode if a compatible gateway is used.
- Interact Pro includes an App, a portal and a broad portfolio of wireless luminaires, lamps and retrofit kits all working on the same system.
- Startup is implemented via Interact Pro App (Android or iPhone) & Bluetooth connectivity. The App provides flexibility to choose between a gateway or non gateway mode for setup.
- Setup with the gateway requires wired internet access to the gateway. It is possible to add a gateway at a later point.
- Prepare project configuration steps remotely and use IRT9015 remote onsite to identify and group devices together.
- Compatible with:
 - UID8451/10 wireless dimmer switch
 - SWS200 wireless scene switch
 - Battery powered IP42 presence sensor OCC sensor IA CM WH 10/1
 - Battery powered IP42 presence & daylight sensor OCC-DL sensor IA CM IP42 WH
 - Battery powered IP65 presence sensor OCC sensor IA CM IP65 WH
 - Battery powered IP65 presence & daylight sensor OCC-DL sensor IA CM IP65 WH
- For more information on Interact Pro visit:
www.interact-lighting.com/interactproscalablesystem

SpaceWiseDT (SWZDT)

(SWZDT Accessory):

- Remote mounted and centralized SWZDT module accessory controls multiple luminaires.
- Compatible with any 0-10v driver
- 120-347V mains input voltage
- Up to 730VA load at 120V

Interact Pro Enterprise

(System Bridge Accessory with -SB option):

- A wireless IoT connected lighting solution for large enterprises that span across multiple floors, buildings and require multiple gateways.
- View all your projects under one dashboard and easily compare insights from multiple projects in one view.
- Compatible with UID8451/10 wireless dimmer switch, SWS200 wireless scene switch, wireless Occ sensor (OCC SENSOR IA CM IP42 WH 10/1) and wireless Day/Occ sensor (OCC MULTI SENSOR IA CM WH 10/1) and wireless Occupancy or Daylight & Occupancy sensors available.
- Use Interact software and insights to increase building efficiency, achieve building wide integration and optimize space through occupancy analytics.
- SB option in addition to occupancy and daylight sensing supports advanced IoT capabilities such as people estimation analysis, desk level temperature & humidity sensing, noise classification, and BLE beacon.
- Requires compatible Gateway and internet connectivity for commissioning.
- For more information, visit:
www.interact-lighting.com/office or
www.usa.lighting.philips.com/systems/system-areas/offices

Emergency Options (ER100)

(System Bridge Accessory with ER100 option):

- Power Sensing (Factory default) – Recommended UL924 option requires unswitched power sense line, absence of voltage on the normal circuit triggers luminaire to 100% output
- Power Interruption Detection (Field option) – Detects AC power interruption >30ms triggers 90 minute emergency mode with luminaire at 100% output

Radio only sensor (RADIO):

- Integral RADIO only sensor simply enables wireless mesh connectivity to the luminaire without any occupancy or daylight sensing.
- Ideal for applications where sensing functionality is managed by other Interact devices and the luminaire only needs to have wireless connectivity.

Wired Controls Options

Interact Office Wired (PoE):

- PoE based IoT connected lighting solution for large enterprises that span across multiple floors, buildings and require multiple gateways.
- Use Interact Office software and insights to increase building efficiency, achieve building wide integration and optimize space through occupancy analytics.
- Supports advanced IoT Apps on Personal Control, Space Management, wayfinding, room/desk reservation and offers open APIs for light control and data exchange.
- PoE lighting controller is accessible from below.
- Integral sensor option for occupancy sensing (PIR) and/or daylight harvesting available for additional energy savings.
- Optional integral emergency controller and battery pack provides 600lm nominal output.
- Test switch and indicator light mounted on side of chassis on one end.

- Emergency battery has a 3 month pre-installed shelf life, and must be stored and installed in environments of 20C to 30C (-4F to 86F) ambient, and 45-85% relative humidity.

- For more information on Interact Office Wired, visit: www.interact-lighting.com/office or www.usa.lighting.philips.com/systems/system-areas/offices

Interact Office Wired (PoE), Static White:

- A wireless IoT connected lighting solution for large enterprises that span across multiple floors, buildings and require multiple gateways.
- View all your projects under one dashboard and easily compare insights from multiple projects in one view.
- Compatible Zigbee Green Power wall dimmer and wireless Occupancy or Daylight & Occupancy sensors available.
- Use Interact Office software and insights to increase building efficiency, achieve building wide integration and optimize space through occupancy analytics.
- Supports advanced IoT Apps on wayfinding, room/desk reservation and offers open APIs
- Requires compatible Interact Office Gateway and internet connectivity for commissioning.
- For more information on Interact Office Wireless, visit: www.interact-lighting.com/office or www.usa.lighting.philips.com/systems/system-areas/offices

C4RWW Calculite LED 4" gen 3

Round Wall Wash

interact

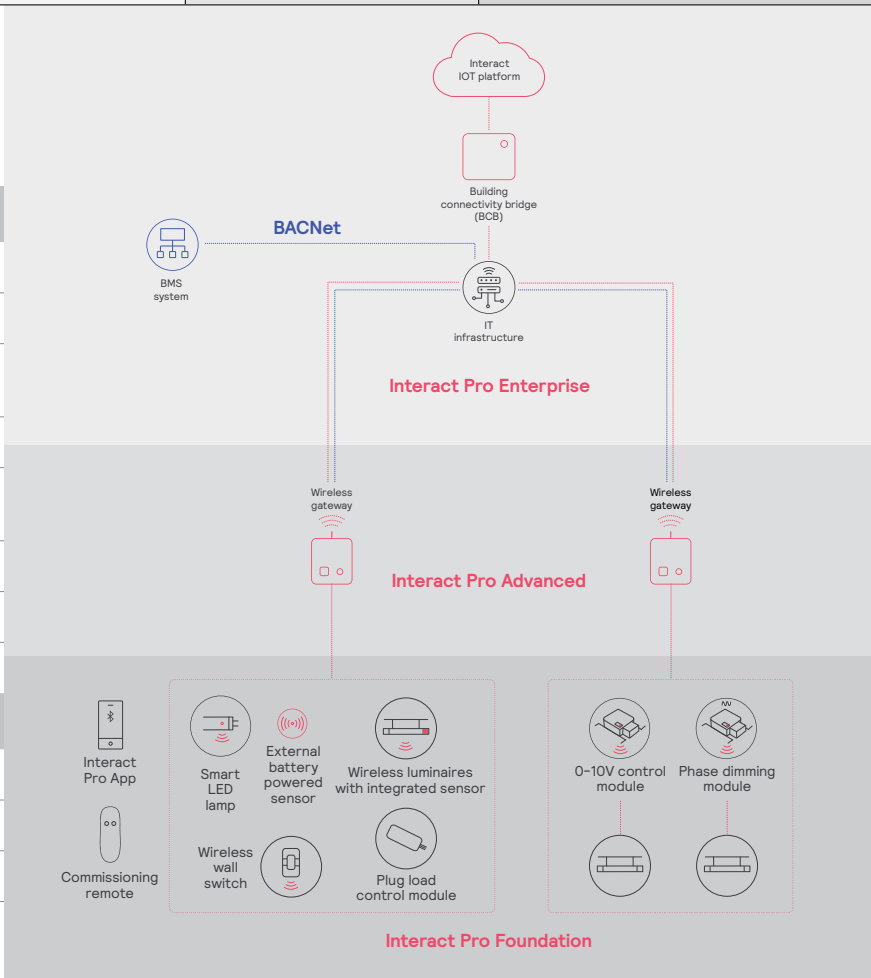
Interact Pro scalable system

	Foundation	Advanced	Enterprise
Dimming, grouping, and zoning	✓	✓	✓
Bluetooth and ZigBee enabled	✓	✓	✓
Motion sensing and daylight harvesting	✓	✓	✓
Integration with 0-10V and phase dimming fixtures	✓	✓	✓
Code compliance	✓	✓	✓
Granular dimming and dwell time	✓	✓	✓
Energy reporting and monitoring		✓	✓
Scheduling		✓	✓
Demand response		✓	✓
BMS integration (BACnet)			✓
Floor plan visualization			✓
IoT sensors for wellness			✓
IoT Apps for productivity			✓

Currently supported maximum system size

To be able to design the lighting system correctly for the customer, it is important to know the prime characteristics of the system, its possibilities and limitations.

System level	
Total number of gateways	Unlimited
Total number of devices	200 per network
<ul style="list-style-type: none"> • luminaires with integrated sensors 	150
<ul style="list-style-type: none"> • smart TLEDS 	150
Total number of ZGP devices (sensors and switches)	50
<ul style="list-style-type: none"> • sensors 	30
<ul style="list-style-type: none"> • switches 	50
<ul style="list-style-type: none"> • zones and groups 	64
Group level	
Recommended number of lights	40 (recommended 25)
Number of ZGP devices	5
Number of scenes	16



C4RWW Calculite LED 4" gen 3

Round Wall Wash

Narrow

Light engine	Input volts	Input freq	Input current	Drive current	Input power	THD power	Power factor
C4L05_NZ10U	120V	50/60Hz	0.05	110 mA	6W	<20%	>0.95
	277V		0.03			<20%	>0.90
C4L10_NZ10U	120V	50/60Hz	0.08	230 mA	11W	<15%	>0.95
	277V		0.04			<20%	>0.95
C4L15_NZ10U	120V	50/60Hz	0.12	360 mA	16W	<10%	>0.95
	277V		0.06			<15%	>0.95
C4L20_NZ10U	120V	50/60Hz	0.17	490 mA	21W	<10%	>0.95
	277V		0.08			<15%	>0.95
C4L25_NZ10U	120V	50/60Hz	0.22	640 mA	27W	<10%	>0.95
	277V		0.10			<15%	>0.95
C4L30_NZ10U	120V	50/60Hz	0.27	790 mA	33W	<10%	>0.95
	277V		0.13			<15%	>0.95

Medium/Wide

Light engine	Input volts	Input freq	Input current	Drive current	Input power	THD power	Power factor
C4L05_MZ10U	120V	50/60Hz	0.05	110 mA	6W	<20%	>0.95
	277V		0.03			<20%	>0.90
C4L10_MZ10U	120V	50/60Hz	0.08	230 mA	11W	<15%	>0.95
	277V		0.04			<20%	>0.95
C4L15_MZ10U	120V	50/60Hz	0.12	350 mA	16W	<10%	>0.95
	277V		0.06			<15%	>0.95
C4L20_MZ10U	120V	50/60Hz	0.16	470 mA	21W	<10%	>0.95
	277V		0.08			<15%	>0.95
C4L25_MZ10U	120V	50/60Hz	0.21	610 mA	25W	<10%	>0.95
	277V		0.09			<15%	>0.95
C4L30_MZ10U	120V	50/60Hz	0.26	770 mA	31W	<10%	>0.95
	277V		0.12			<15%	>0.95

Narrow (Power over Ethernet)

Light engine	Input				
	Volts ¹	Voltage ²	Freq	Current	Power
C4L10___NPE	53V	51-54V	DC	160 mA	8.9 W
C4L15___NPE	53V	51-54V	DC	250 mA	13.6 W
C4L20___NPE	53V	51-54V	DC	340 mA	18.5 W
C4L25___NPE	53V	51-54V	DC	460 mA	24.6 W

Medium (Power over Ethernet)

Light engine	Input				
	Volts ¹	Voltage ²	Freq	Current	Power
C4L10___MPE	53V	51-54V	DC	160 mA	8.8 W
C4L15___MPE	53V	51-54V	DC	250 mA	13.4 W
C4L20___MPE	53V	51-54V	DC	320 mA	17.6 W
C4L25___MPE	53V	51-54V	DC	430 mA	23.2 W

Wide (Power over Ethernet)

Light engine	Input				
	Volts ¹	Voltage ²	Freq	Current	Power
C4L10___WPE	53V	51-54V	DC	160 mA	8.8 W
C4L15___WPE	53V	51-54V	DC	250 mA	13.4 W
C4L20___WPE	53V	51-54V	DC	320 mA	17.6 W
C4L25___WPE	53V	51-54V	DC	430 mA	23.2 W

- Nominal input volts.
- Preferred volt range.

Marked spacing applications

Light engine	2500lm	3000lm
C4L_Z10U series	—	X
C4L_LU series	X	X
C4L_DU series	—	X
C4L_DMXXU series	—	X

Modules marked with an X require marked spacing:
 - Center-to-center of adjacent luminaires: 24" (610mm)
 - Luminaire center to side building member: 12" (305mm)

Lifetime (TM-21) data

Lumens	Narrow beam	Medium/Wide beam*
500lm 1000lm 1500lm	L90 @ 60,000 hrs.	L90 @ 60,000hrs.
2000lm 2500lm 3000lm*	L90 @ 60,000 hrs.	L85 @ 60,000hrs.

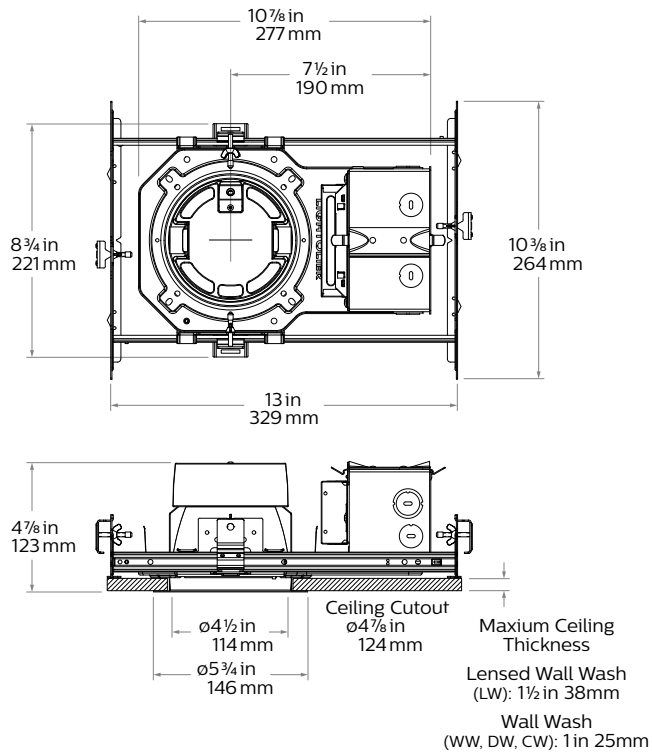
* Lutron 3000lm with Medium/Wide beam is L80 @ 60,000hrs.

In accordance with CAN ICES-005-A/ NEB-005-A and FCC Part 15-A.

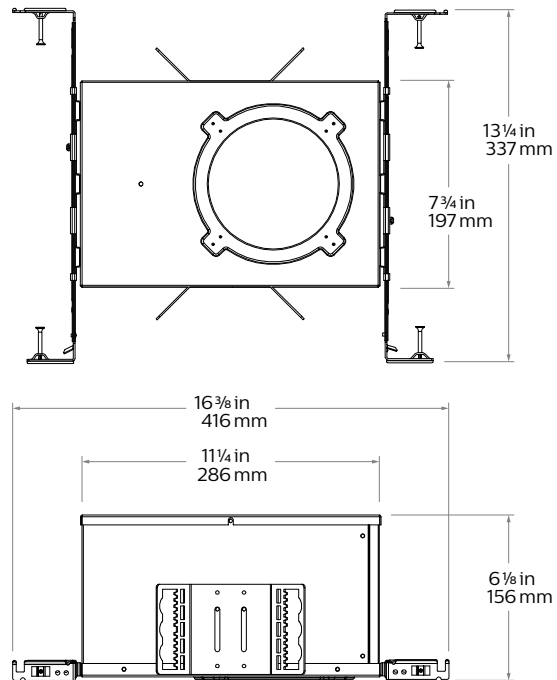
C4RWW Calculite LED 4" gen 3

Round Wall Wash

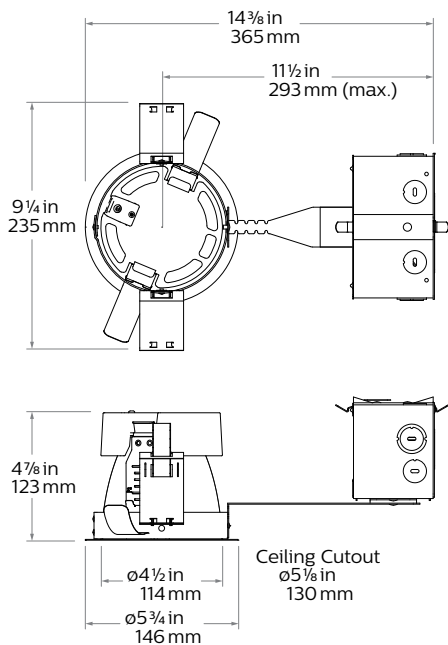
New Construction (N)



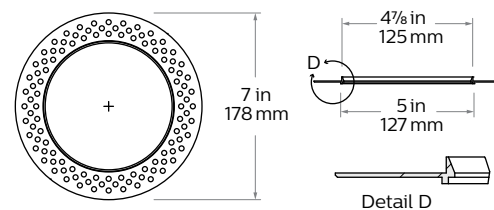
Chicago Plenum (LC)



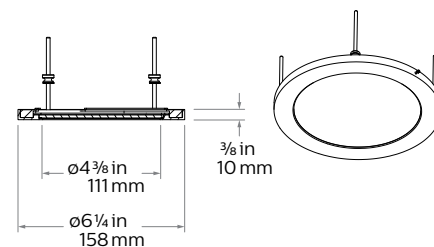
Remodeler (R)



Flangeless mud-in ring (CA4RFT) accessory



Vandal Proof (VP) accessory



C4RWW Calculite LED 4" gen 3

Round Wall Wash

Reflector



Specular clear (CL): Most specular and most efficient finish, delivers maximum photometric performance but can produce a mirror image effect of the interior space.



Champagne bronze (CZ): Semi-specular finish that softens light at the source of the reflector while providing a warmer reflector appearance (slightly warmer).



Comfort clear (CC): Semi-specular finish that softens the light at the source of the reflector and creates a subtle, even luminance from the reflector cone.



White (WH): (matte) Brightest illuminated aperture and provides the smoothest transition to most ceilings when off (white is only available with a white flange).



Comfort clear diffuse (CD): Slightly diffuse clear finish, that eliminates iridescence and reduces the mirror image effect inherent with specular finishes.



Black (BK): (matte) Specular finish that provides the lowest aperture brightness possible and significantly reduces source identification in a ceiling.



Vandal proof (VP): Provides an elegant solution for vandal resistant needs. One piece machined aluminum ring with impact resistant clear lens. Flangeless (F) flange must be ordered. Provides the luminaire with an IK10 impact and IP65 rating.



Shower light (SL): Wet location rated shower light applicable in any installation requiring dead front trims, interior or exterior non-corrosive applications, or where a diffused lens at the ceiling is required (non-conductive).

Flange



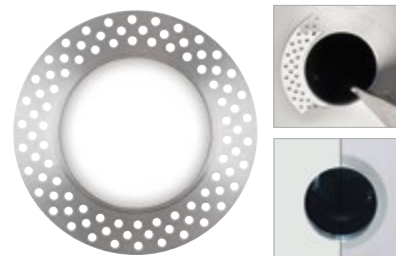
White (-): (matte) Provides the smoothest transition to ceilings when off.



Polished (P): (matches aperture) Produces a continuous look throughout the reflector (aperture matching).



Flangeless (F): (flush-mount) Creates a flush, virtually seamless transition from aperture to ceiling.



Mud-in ring (FT): Low profile, machined aluminum mud-in ring provides a raised rib to plaster up to and a 3/16" flange thickness. The ring is attached to the ceiling material as opposed to the frame-in kit to avoid conduction of heat and vibration which can cause yellowing or cracking of the plaster.

C4RWW Calculite LED 4" gen 3

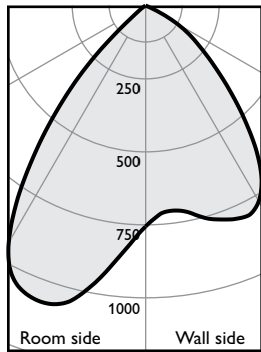
Round Wall Wash

Adjustment factors

Finish	CCT	Lumens
CL = 100%	80CRI 4000K = 102%	3000lm = 200%
CC = 95%	80CRI 3500K = 100%	2500lm = 167%
CD = 87%	80CRI 3000K = 97%	2000lm = 133%
CZ = 63%	80CRI 2700K = 87%	1500lm = 100%
WH = 87%	90CRI 3000K = 77%	1000lm = 67%
BK = 57%	90CRI 2700K = 73%	500lm = 33%

Wall Wash, 1500lm Engine, 102.8 lm/W or 109.3 lm/W at 13.4W (Power over Ethernet)

Candela Curve



Frame: **C4RN or 4RN**
 Engine: **C4L15835WZ10U**
 Trim: **C4RWWCL**

Output lumens: 1465 lms
 Input watts: 14.3 W
 CRI: 80 min
 CCT: 3500K

Efficacy: 102.8 lm/w
 Report#: T20170304

Multiple unit data

Footcandles on wall

Distance from ceiling in feet	2' from wall		
	3' on ctr.		
1	22	16	22
2	44	33	44
3	37	40	37
4	29	31	29
5	22	23	22
6	17	17	17
7	14	14	14
8	12	12	12
9	10	10	10
10	9	9	9
12	7	7	7
14	6	6	6

Multiple unit data

Footcandles on wall

Distance from ceiling in feet	3' from wall		
	3' on ctr.		
1	9	9	9
2	19	18	19
3	27	26	27
4	27	28	27
5	24	24	24
6	20	21	20
7	17	17	17
8	15	14	15
9	12	12	12
10	11	11	11
12	9	9	9
14	8	8	8

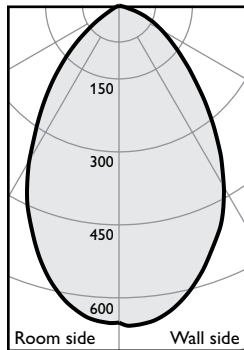
Multiple unit data

Footcandles on wall

Distance from ceiling in feet	3' from wall		
	4' on ctr.		
1	8	7	8
2	16	13	16
3	22	19	22
4	21	21	21
5	18	19	18
6	16	16	16
7	13	13	13
8	11	11	11
9	10	10	10
10	9	9	9
12	7	7	7
14	6	6	6

Lensed Wall Wash, 1500lm Engine, 71.1 lm/W or 75.5 lm/W at 13.4W (Power over Ethernet)

Candela Curve



Frame: **C4RN or 4RN**
 Engine: **C4L15835WZ10U**
 Trim: **C4RLWCL**

Output lumens: 1012 lms
 Input watts: 14.2 W
 CRI: 80 min
 CCT: 3500K

Efficacy: 71.1 lm/w
 Report#: T20170310

Multiple unit data

Footcandles on wall

Distance from ceiling in feet	2' from wall		
	3' on ctr.		
1	27	17	27
2	35	28	35
3	30	28	30
4	22	22	22
5	17	17	17
6	13	13	13
7	11	11	11
8	9	9	9
9	7	7	7
10	6	6	6
12	5	5	5
14	5	5	5

Multiple unit data

Footcandles on wall

Distance from ceiling in feet	3' from wall		
	3' on ctr.		
1	10	9	10
2	19	18	19
3	22	21	22
4	21	21	21
5	18	18	18
6	15	15	15
7	13	13	13
8	11	11	11
9	9	9	9
10	8	8	8
12	7	7	7
14	6	6	6

Multiple unit data

Footcandles on wall

Distance from ceiling in feet	3' from wall		
	4' on ctr.		
1	8	6	8
2	16	13	16
3	17	15	17
4	16	15	16
5	14	14	14
6	12	12	12
7	10	10	10
8	8	8	8
9	7	7	7
10	6	6	6
12	5	5	5
14	4	4	4

1. Correlated Color Temperature within specs as defined in ANSI_NEMA_ANSI C78.377-2008: Specifications for the Chromaticity of Solid State Lighting Products.
2. Tested using absolute photometry as specified in LM79: IESNA Approved Method for the Electrical and Photometric Measurements of Solid-State Lighting Products.



© 2021 Signify Holding. All rights reserved. The information provided herein is subject to change, without notice. Signify does not give any representation or warranty as to the accuracy or completeness of the information included herein and shall not be liable for any action in reliance thereon. The information presented in this document is not intended as any commercial offer and does not form part of any quotation or contract, unless otherwise agreed by Signify.

Signify North America Corporation
 200 Franklin Square Drive,
 Somerset, NJ 08873
 Telephone 855-486-2216

Signify Canada Ltd.
 281 Hillmount Road,
 Markham, ON, Canada L6C 2S3
 Telephone 800-668-9008

All trademarks are owned by Signify Holding or their respective owners.