

JS4 Series

400 A 120/240 V; single-phase service



JS4B



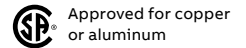
KIT-400MH
(see page D64)

Product specifications

- Load side terminations: tunnel type connectors, dual rated for 1 x 500 kcmil or 2 x 250 kcmil
- Fully wired secondary circuits
- Line side terminations: double ½ in. studs to accommodate compression lugs (supplied by utility) for underground service (1 x 500 kcmil or 2 x 250 kcmil)
- Permanent red nameplate affixed to front cover warns that removal of meter does not isolate the load terminals; warning to short circuit current transformer secondary before removal of meter on JS4B
- Meter socket configuration for 5 jaw meters (can be readily converted to suit meter forms requiring 4 blades)
- 400/5 A three-wire current transformer provides low current for service metering proportional to higher current draw; Consumer and Corporate Affairs Canada approved for revenue metering (200/5 and 300/5 A also available)

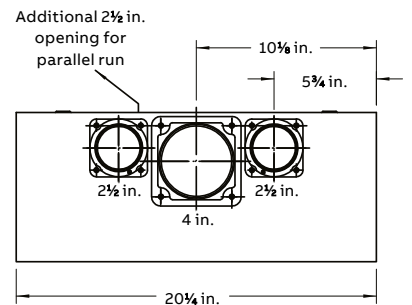
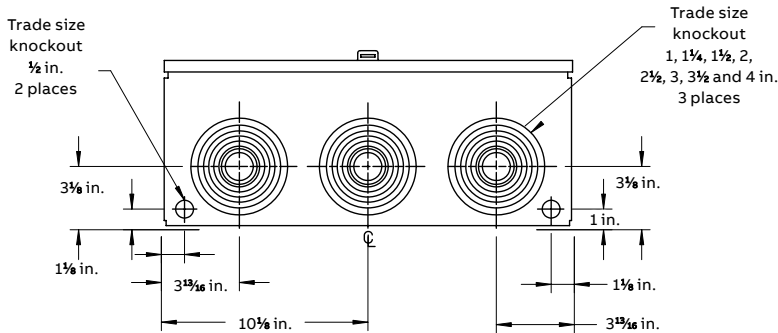
- Gutter wiring space provided on left side
- Twin covers allow access to either compartment (single cover available on request)
- Hub opening closure plate for underground service (All units can be converted to overhead service with addition of conduit hub and JS250 or JS500 tunnel type connector kit)
- Hinged bridges and readily removable crossbar with keyholes permit easy wiring without obstructions
- Heavy gauge galvanized steel with oven-cured grey enamel finish
- For aluminum JS4, see page D52 for product specs and dimensions
- Three 1¼ in., 1½ in., 2 in., 2½ in., 3 in., 3½ in., 4 in. bottom knockouts
- Weatherproof Type 3R enclosure
- Provincial approval may change without notice. Consult your local utility.

Product usage by province/utility



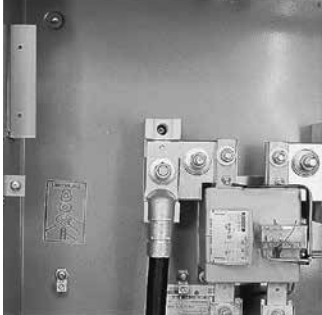
Newfoundland	JS4B-4ST, JS4B-NL, JS4B-EALNL	Saskatchewan	None approved	Northern Ontario	None approved
Quebec	None approved	Alberta	JS4B-4T	Cornwall Hydro	None approved
Nova Scotia	JS4B-STNS, JS4B STNSEAL	British Columbia	JS4B-STWINL	Ottawa Hydro	None approved
New Brunswick	JS4B (EAL)	Hydro Ontario	JS4B-4 JS4B-ST, JS4AB	Toronto Hydro	None approved
Manitoba	JS4B-TWLMH, JS4B TWLEALMH	Hydro-One	JS4B-TLHO		

Diagrams



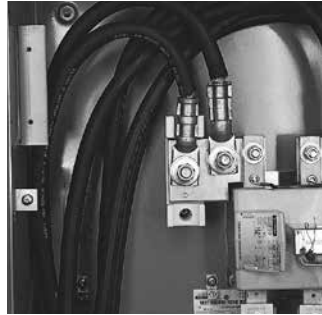
JS4 Series

400 A 120/240 V; Single-phase service

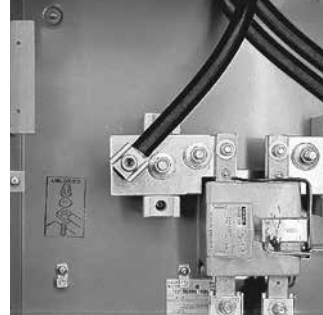


1 x 500 kcmil

Underground service

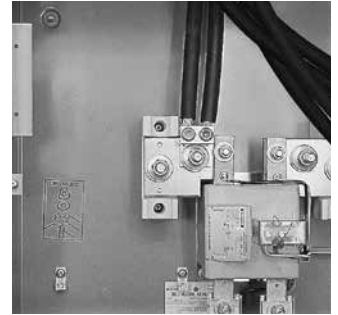


2 x 250 kcmil

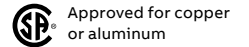


1 x 500 kcmil
with kit no. JS500

Overhead service



2 x 250 kcmil
with kit no. JS250



Cat. no.	JS4 underground 400 to 5 ratio • 5 jaw • twin cover
JS4B	Equipped with test switches

Include	Factory modifications
-4	4 jaw meter socket configuration
-S	Provision only for test switches (test switches supplied by power authority)
-T	Provision only for current transformer (transformer supplied by power authority)
-W	Secondary circuit wiring not included (secondary circuit wired by power authority)
-Z	“Peerless security” collar (S102WD)
-200 / 5	200 A to 5 ratio current transformer
-300 / 5	300 A to 5 ratio current transformer

Cat. no.	Overhead entry conversion kits (1 kit required per socket)
JS250	2 x 250 kcmil tunnel connector kit for line side terminations
JS500	1 x 500 kcmil tunnel connector kit for line side terminations
KIT-JS4B	5 th jaw assembly kit for NB Power

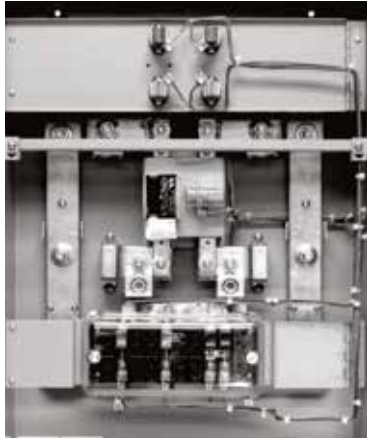
Note: Refer to page D51 for “Product usage by province utility.”

JS4 Aluminum series

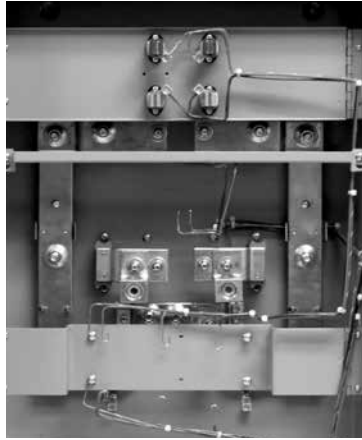
Single-phase service

Product specifications

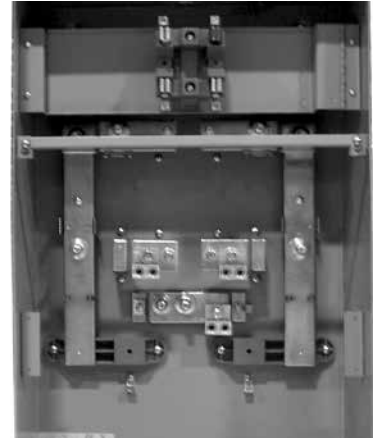
- Line side terminals: overhead: 1 x 750 kcmil Cu/Al or 2 x 350 kcmil Cu/Al; underground: 2 x ½ in. stud to accommodate, 1 x 750 kcmil or 2 x 350 kcmil Cu/Al compression lugs
- Load side terminals: 1 x 750 kcmil Cu/Al or 2 x 250 kcmil Cu/Al
- Combination overhead/underground meter socket
- 4 jaw meter socket configuration
- Overhead kit required (1 kit per socket) (line side only*)
- JS350 2 x 350 kcmil overhead kit
- JS750 1 x 750 kcmil overhead kit




JS4B-EAL
(New Brunswick)



JS4B-STNSEAL
(Nova Scotia)



JS4B-TWLEALMH
(Manitoba)

 Approved for copper or aluminum

Cat. no.	Description	Dimensions (in.)			Weight each	
		H	W	D	lb	kg
JS4B-TWLEALMH	Aluminum feed 400 A meter socket (Manitoba only)	38 ¹ / ₈	20 ¹ / ₁₆	8 ³ / ₄	70	31.75
JS4B-EAL	Aluminum feed 400 A meter socket (New Brunswick only)	38 ¹ / ₈	20 ¹ / ₁₆	8 ³ / ₄	72	32.65
JS4B-STNSEAL	Aluminum feed 400 A meter socket (Nova Scotia only)	38 ¹ / ₈	20 ¹ / ₁₆	8 ³ / ₄	72	32.65

Diagrams

